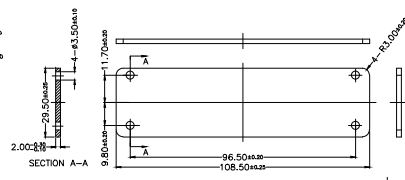
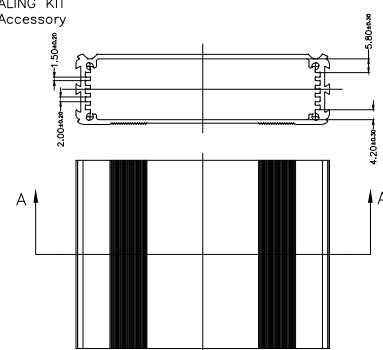


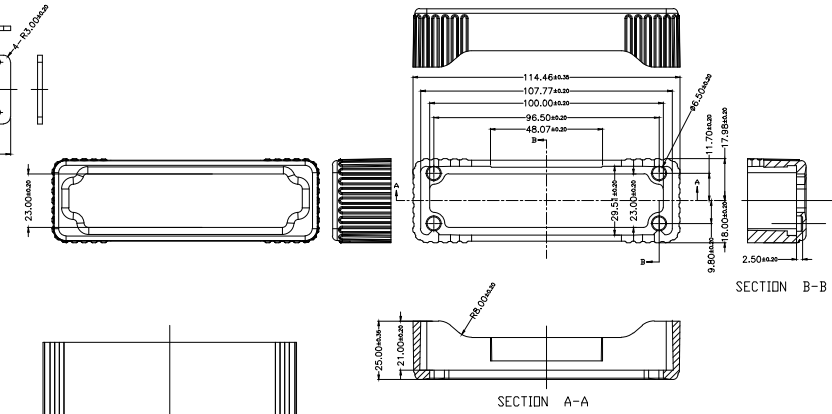
SK-2 SEALING KIT
Optional Accessory



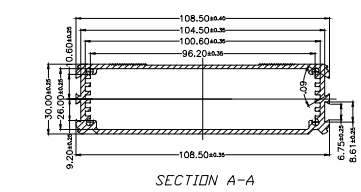
END PLATE



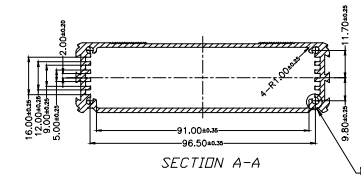
ENCLOSURE PROFILE



EC2 End Cap Optional Accessory

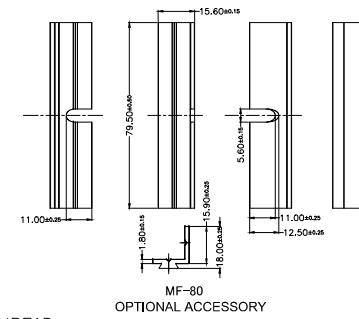


SECTION A-A

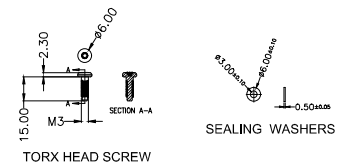


SECTION A-A

M3 THREAD
X8-PLACES



MF-80
OPTIONAL ACCESSORY



TORX HEAD SCREW

SEALING WASHERS

Optional End Caps (sold in pairs)		Mounting Flanges Optional Accessory (Sold individually)	
Part #	Color	40 mm Mounting Flange Part #	Color
EC-2BK	Black	MF40-BK	Black
EC-2BL	Blue	MF40-BL	Blue
EC-2GN	Green	MF40-GD	Gold
EC-2RD	Red	MF40-GR	Green
EC-2GY	Gray	MF40-RD	Red
		MF40-SI	Silver

COLOR LEGEND			
Part #	Anodized Color	80 mm Mounting Flange Part #	Color
B2-080 BK	Black	MF80-BK	Black
B2-080 BL	Blue	MF80-BL	Blue
B2-080 GD	Gold	MF80-GD	Gold
B2-080 GR	Green	MF80-GR	Green
B2-080 RD	Red	MF80-RD	Red
B2-080 SI	Silver	MF80-SI	Silver

Sealing Kit - Optional Accessory	
Part #	Description
SK-2	NEM 4/IP65 Sealing kit for ALL B-2 Series Enclosures

ENCLOSURES & ASSEMBLY SERVICES

Revision:
6.1

Model:

Title B2-080 MASTER DRAWING		Dwg. No.:	Part No.:
Material: Aluminum 6063-T6(HE9)	TOLERANCE all dimension in mm unless otherwise specified.	Color:	Drn. Date Rudy 8/3/2018
Finish: Anodized BS 1615	1-5 ±0.10 5-50 ±0.30 50-200 ±0.50 ANGLE ±0.5°	Qty.:	Chk. Date
Proj.		Sheet of	App. Date

THIS DRAWING IS THE PROPERTY OF AND MAY EMBODY PROPRIETARY INFORMATION OWNED BY Box Enclosures. IT IS PROVIDED UNDER A CONFIDENTIAL RELATIONSHIP FOR A SPECIFIC PURPOSE. THE RECIPIENT AGREES TO USE IT ONLY FOR SUCH PURPOSE AND RETURN IT TO Box Enclosure UPON REQUEST.