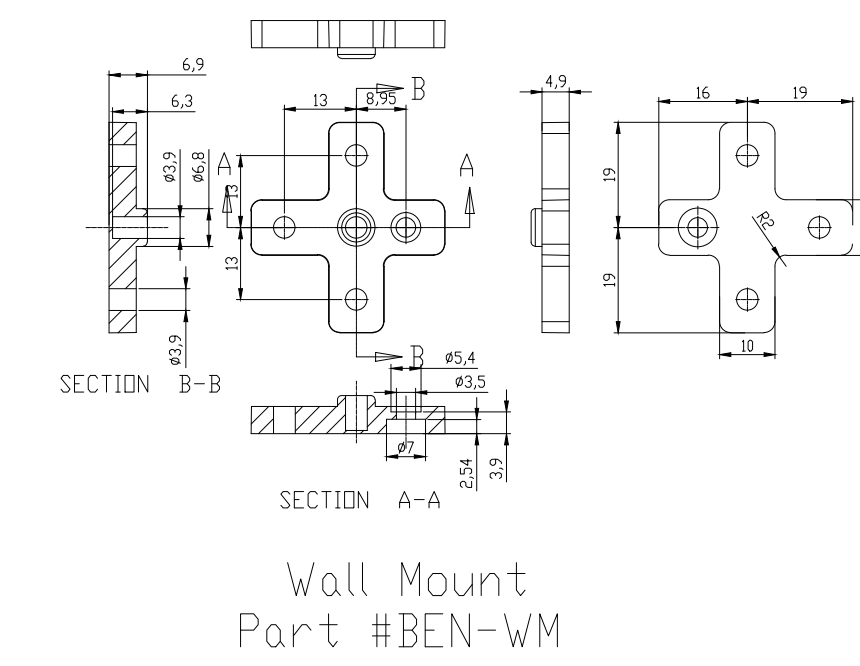
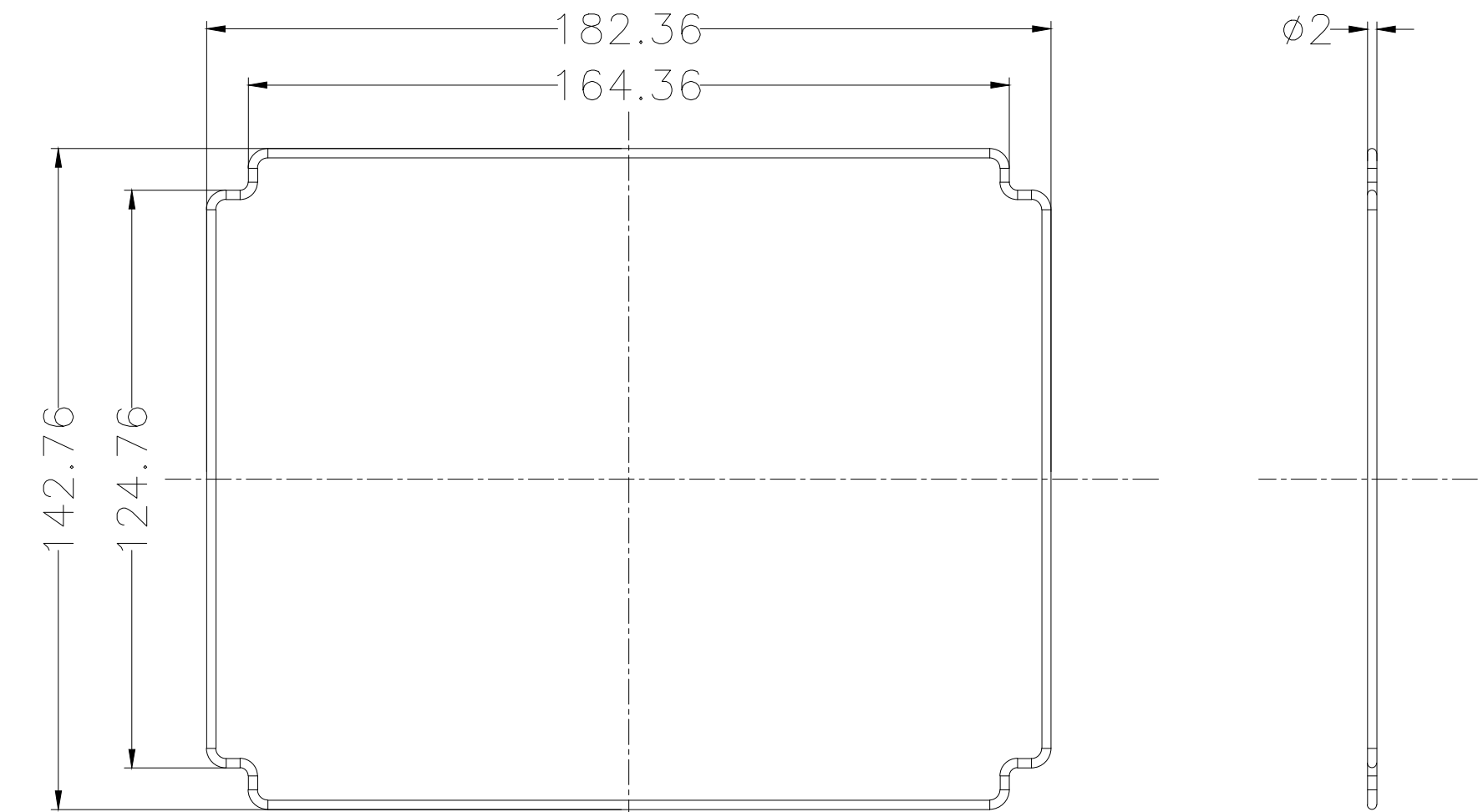


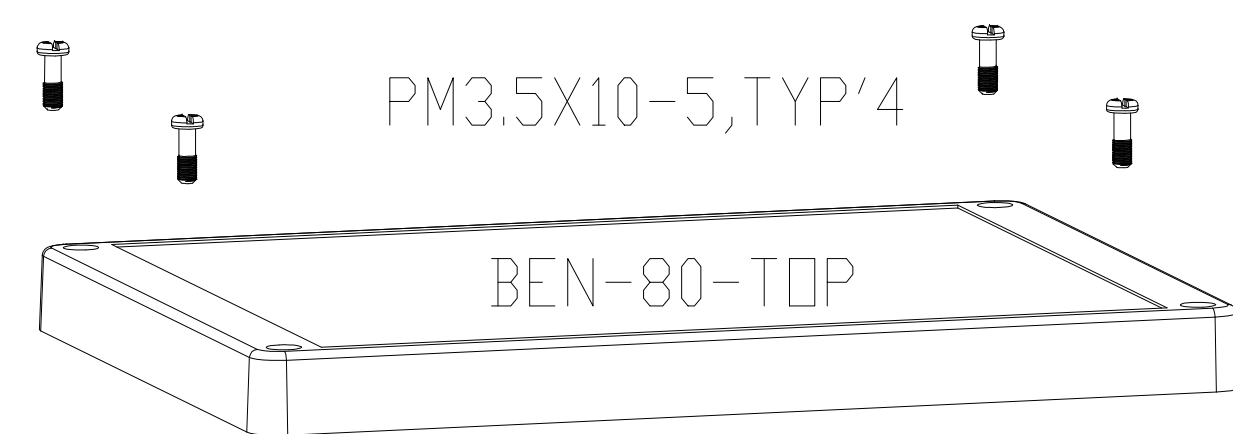
BEN-80 BOTTOM



Wall Mount  
Part #BEN-WM



BEN-80 SEALING KIT

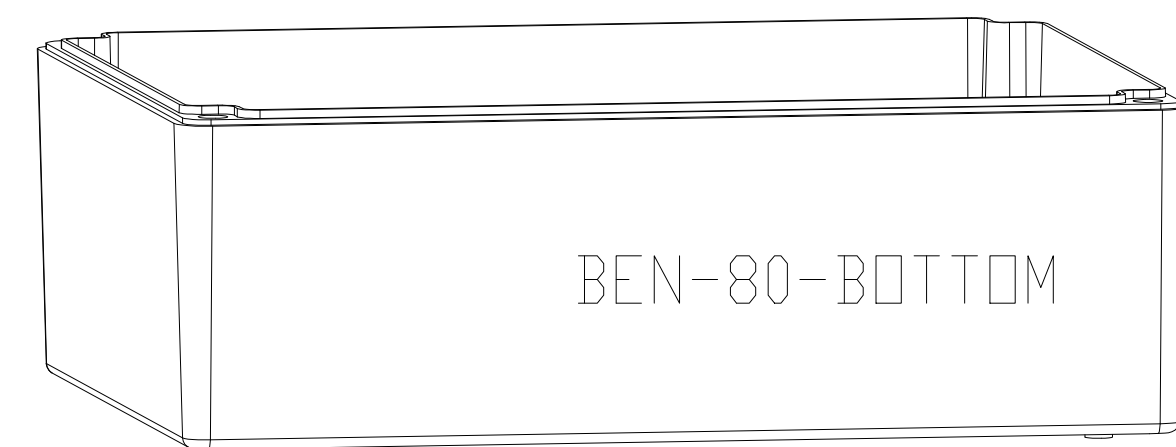


PM3.5X10-5, TYP'4

BEN-80-TOP



BEN-80 SEALING KIT

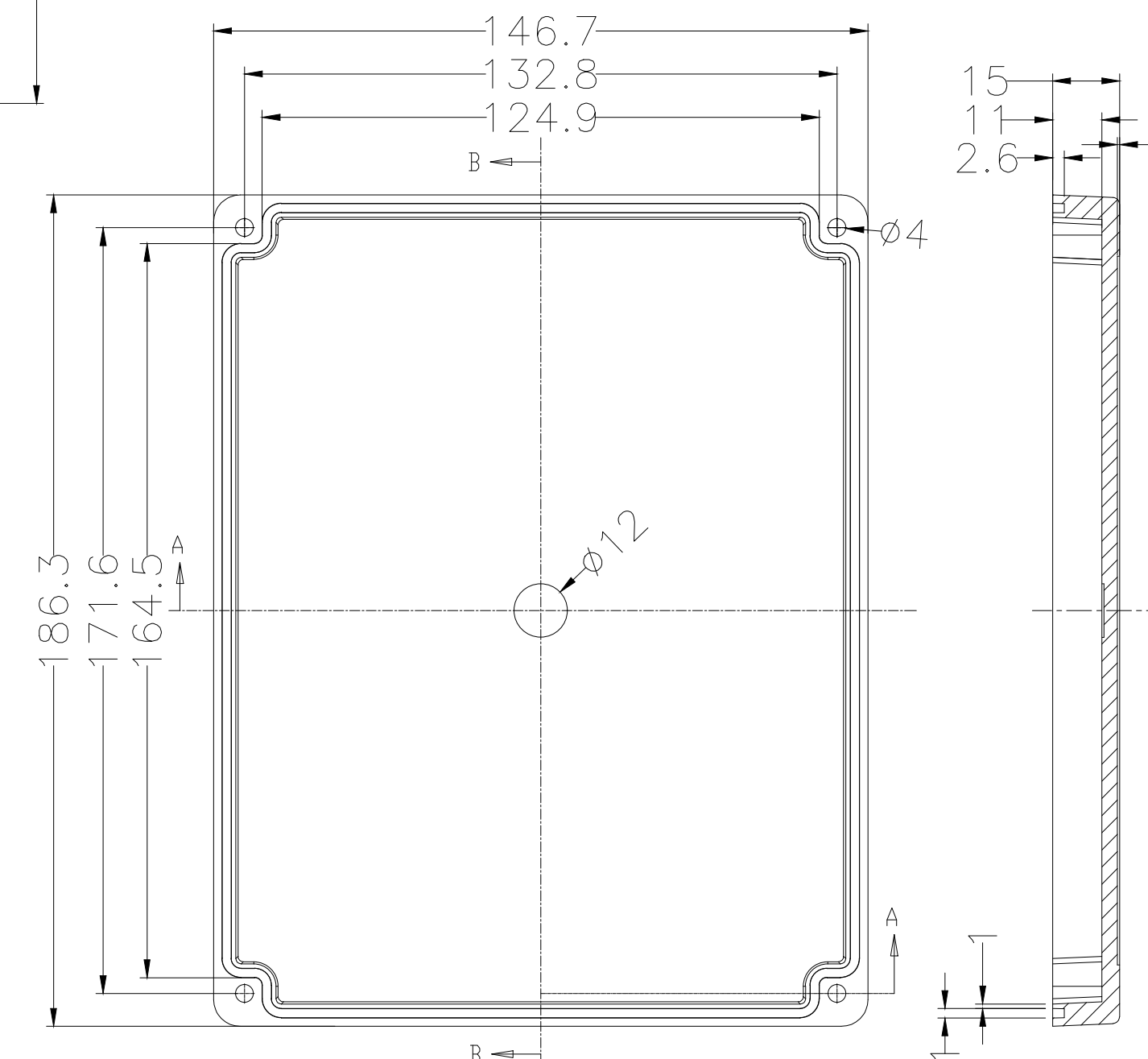


BEN-80-BOTTOM



BEN-WM

PB3.0X8, TYP'4



BEN-80 TOP

Part Number	Top Color	Bottom Color
BEN-80P	Grey	Grey
BEN-80PC	Clear	Grey
BEN-80P-BLK	Black	Black
BEN-80PC-BLK	Clear	Black

Optional Accessory

Wall mount kit, pack of 4, color grey. Part # BEN-WM

Material-Polycarbonate, fire retardant UL 94-V2  
Sealing Kit-NEMA 4 / IP65, material-Silicone