

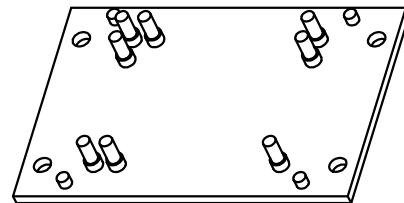


ENCLOSURES & ASSEMBLY SERVICES

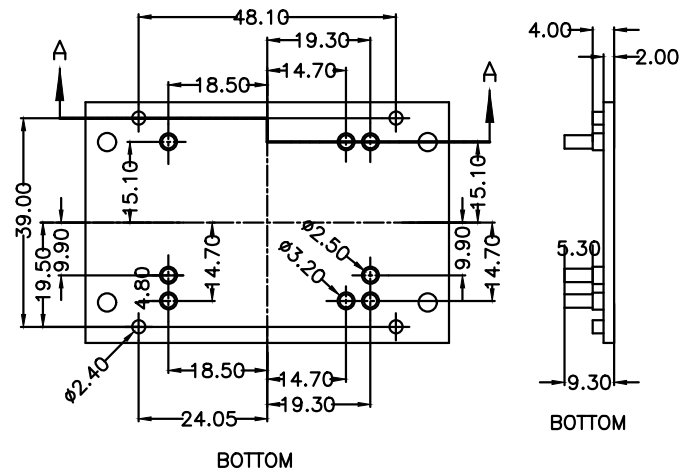
BOX ENCLOSURES, INC

14092 LAMBS LANE
LIBERTYVILLE, IL 60048

TEL: 847-932-4700 WWW.BOXENCLOSURES.COM FAX: 847-932-4701



INSIDE_ISO

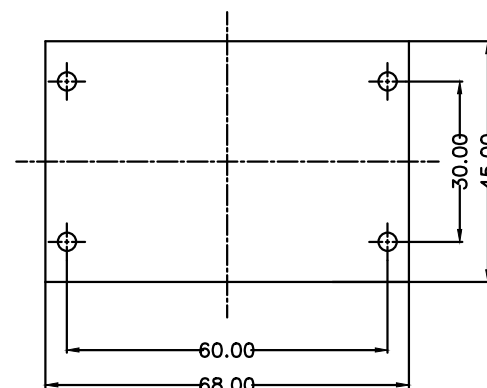


BOTTOM

BOTTOM

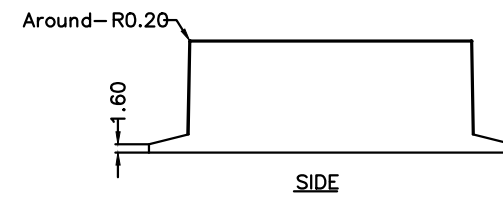


SECTION A-A

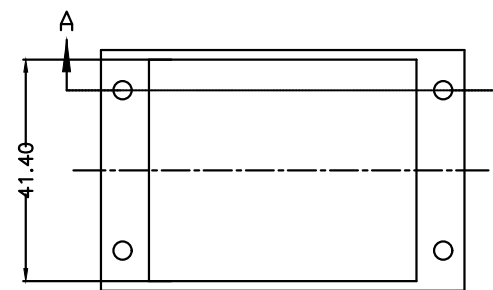


BOTTOM

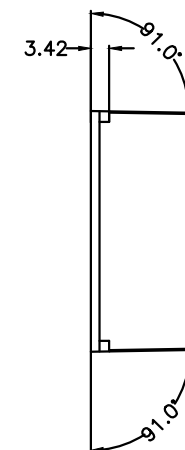
ENCLOSURE COVER



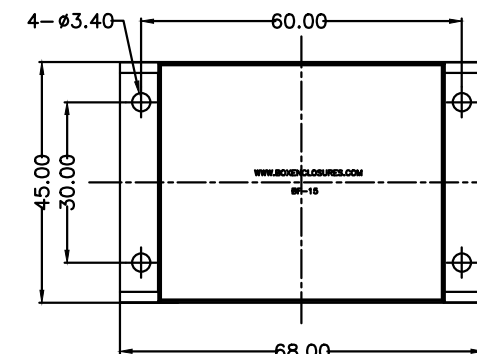
SIDE



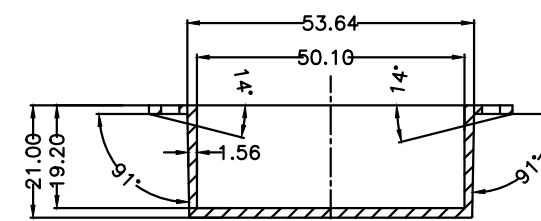
TOP



SIDE



BOTTOM



SECTION A-A

ENCLOSURE BODY

THIS DRAWING IS THE PROPERTY OF AND MAY EMBODY PROPRIETARY INFORMATION OWNED BY Box Enclosures Inc. IT IS PROVIDED UNDER A CONFIDENTIAL RELATIONSHIP FOR A SPECIFIC PURPOSE. THE RECIPIENT AGREES TO USE IT ONLY FOR SUCH PURPOSE AND RETURN IT TO Box Enclosures Inc. UPON REQUEST.

<p>ENCLOSURES & ASSEMBLY SERVICES</p>		Revision:	
		Model:	
Title: FLANGE CASE BF-15		Dwg. No.:	Part No.:
Material: ABS	TOLERANCE all dimension in mm unless otherwise specified. x ±0.20 .x ±0.10 .xx ±0.05 ANGLE ±0.5°	Color:	Drn. Date RFK 12/2/2024
Finish:		Qty:	Chk. Date
Proj.		A2 Sheet 1 of 1	App. Date