

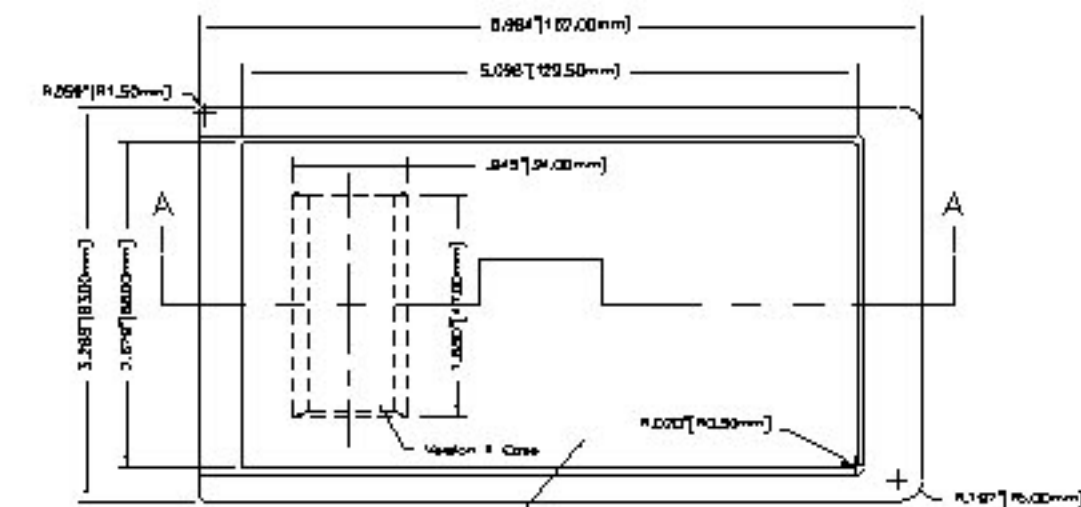


Enclosures of America Intl. LTD.

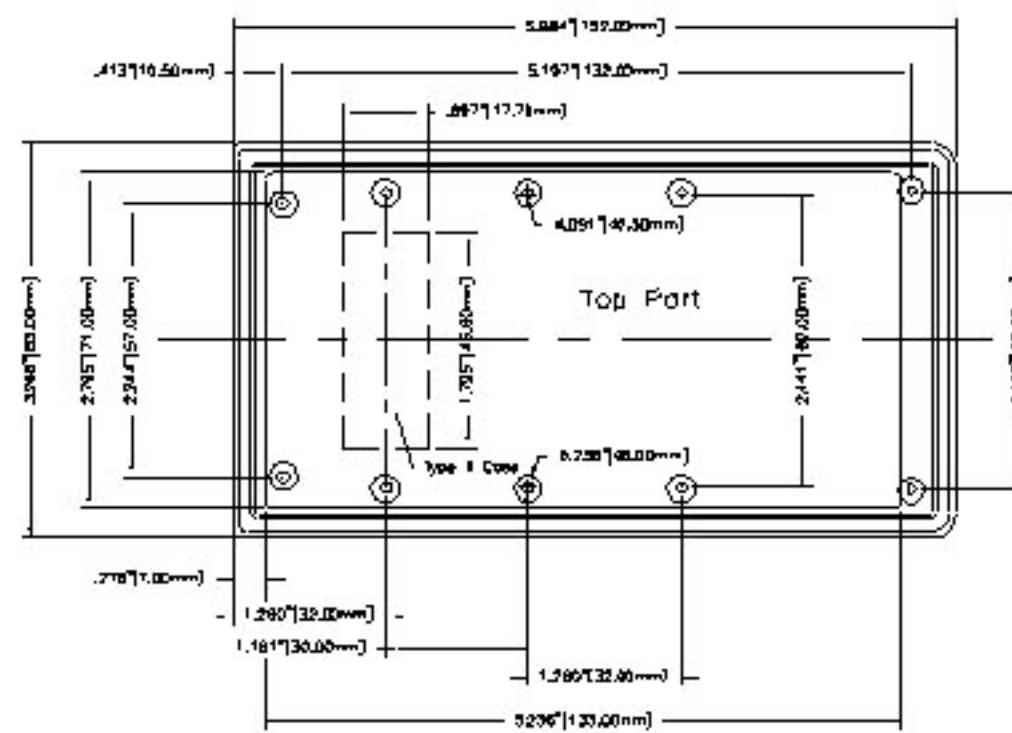
Tel: 847-918-9800

www.eoi-enclosures.com

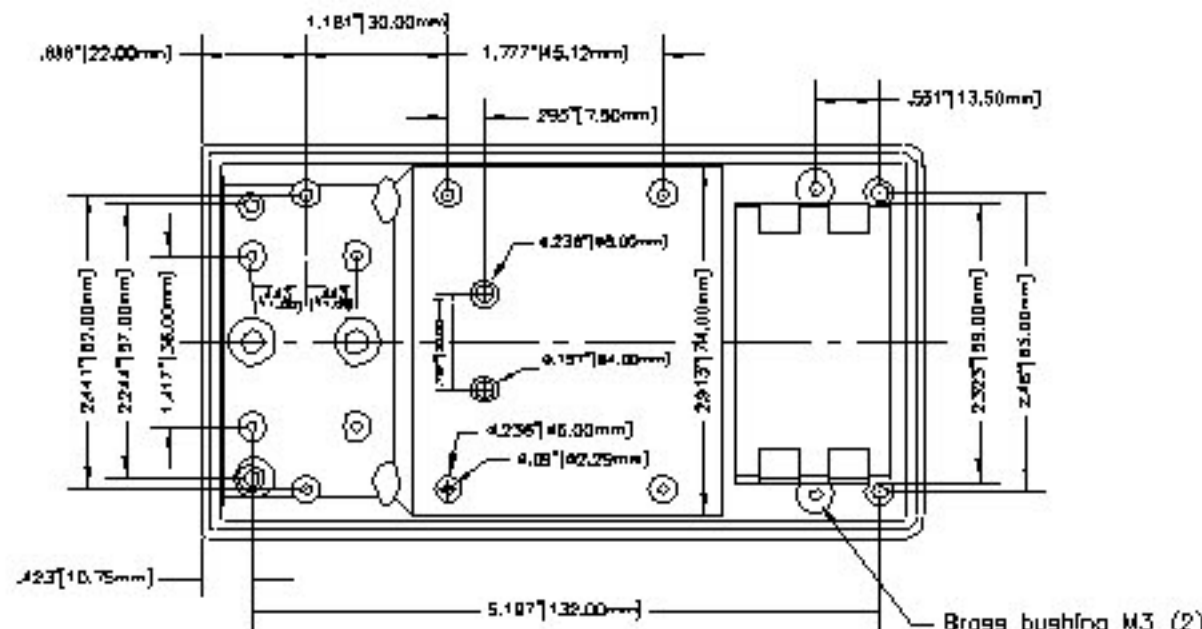
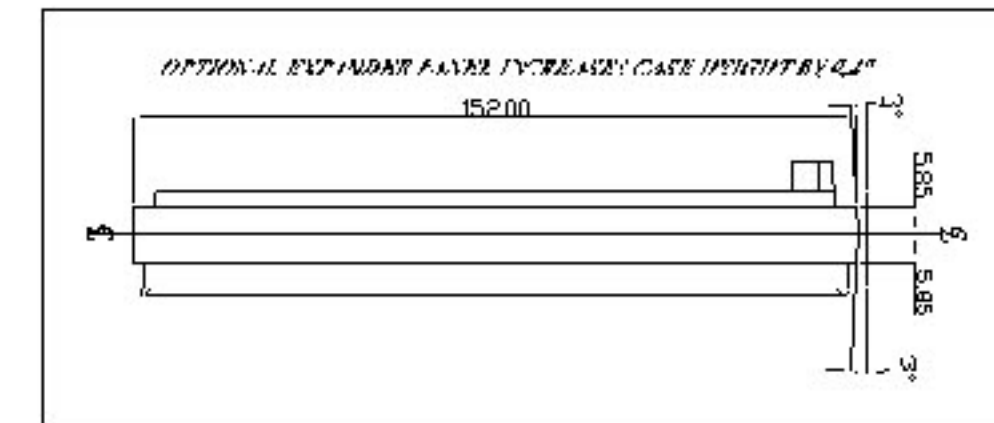
Fax: 847-918-9807



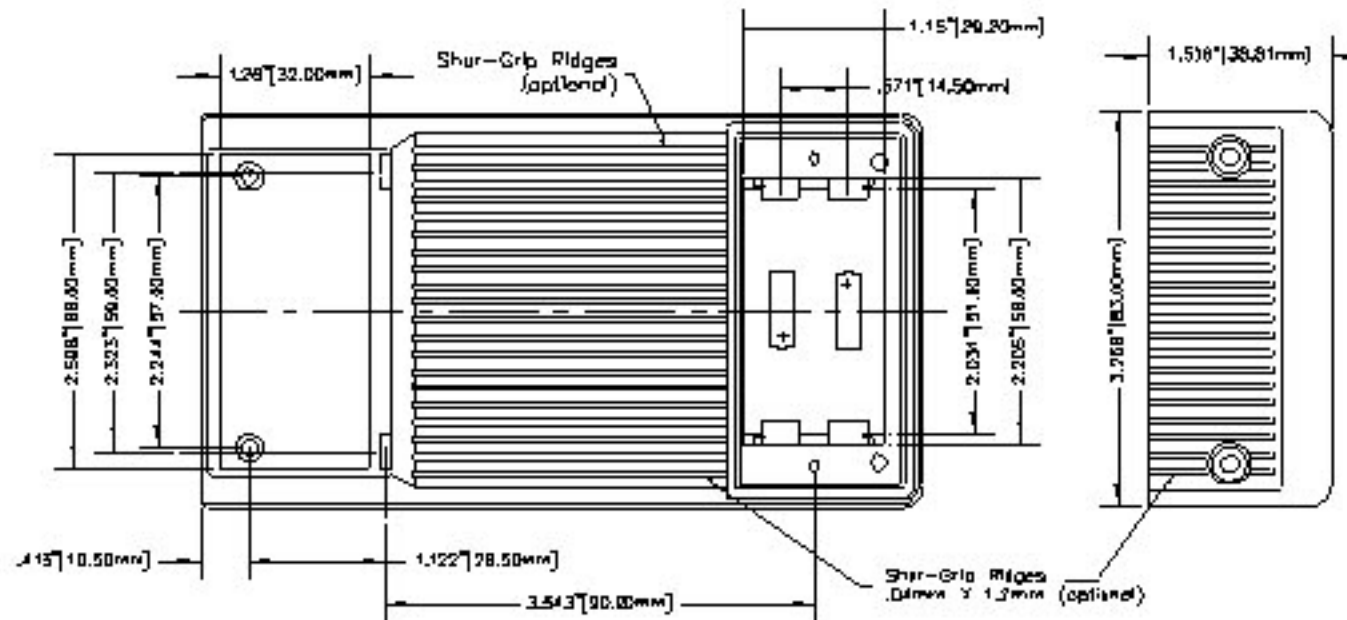
Cover-Outside*



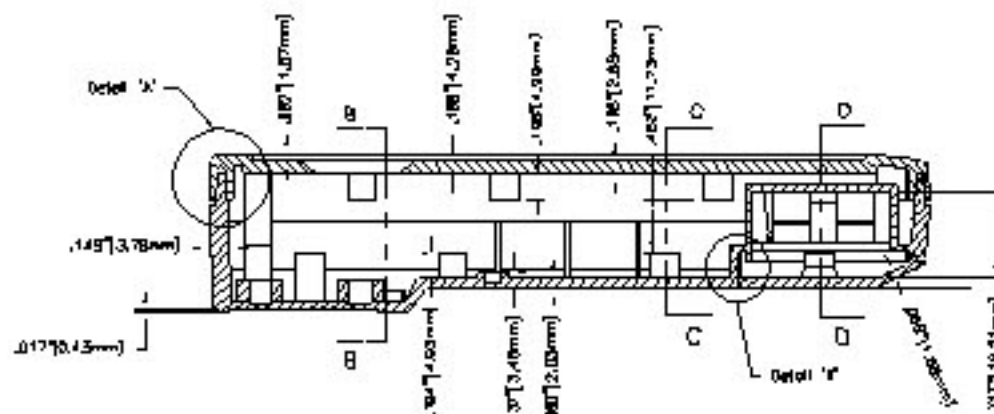
Cover-Inside*



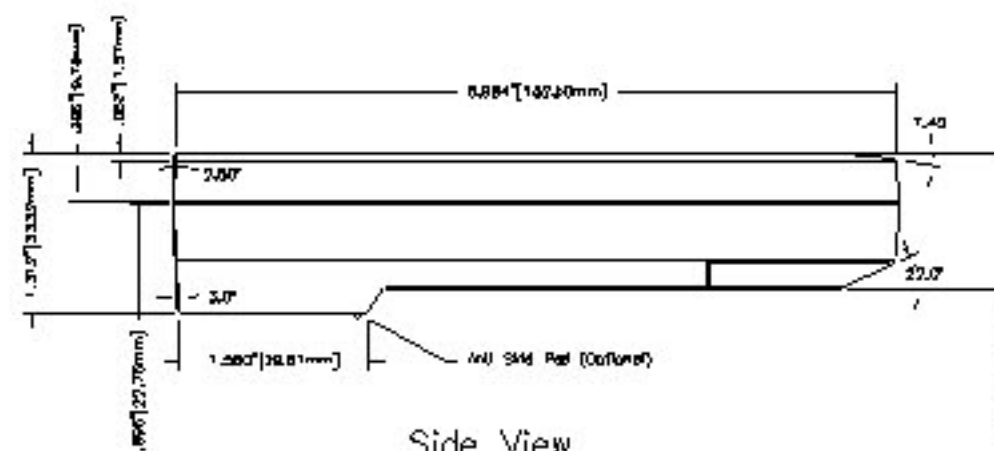
Bottom-Inside



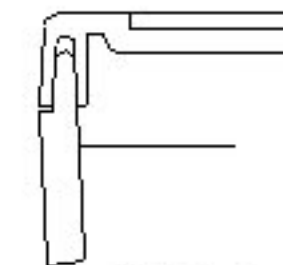
Bottom-Outside



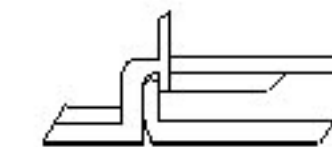
Section A-A



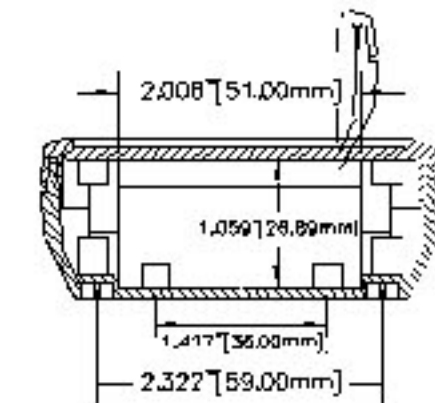
Side View



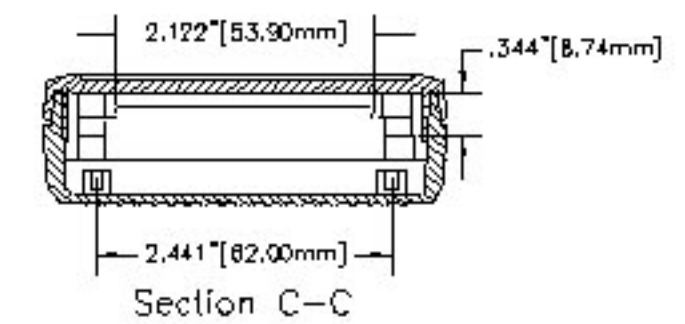
Detail A



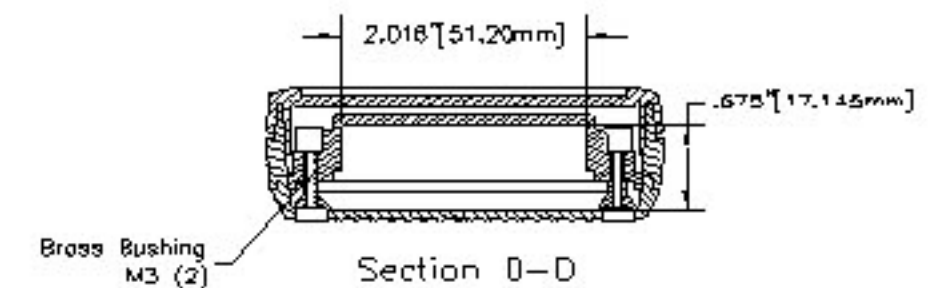
Detail B



Section B-B



Section C-C



Section D-D

Max. size of PCB: Top 72x141mm
Base without battery compartment 72x142mm,
with battery compartment 72x104mm
(cutout of pillars not taken into consideration)

* LCD WINDOW OPENINGS

- Version I No opening
- II 45.6x17.8mm, for 2" LC-Module
- III 44.6x9.2mm, for 2 lines x 20 characters. Module size 65 x 20mm
- IV 44.6x17.6mm, for Miniature 4 lines x 20 Character LCD'S
Module size 65x28.4mm

THIS DRAWING IS THE PROPERTY OF AND MAY EMBODY PROPRIETARY INFORMATION OWNED BY ENCLOSURES OF AMERICA™. IT IS PROVIDED UNDER A CONFIDENTIAL RELATIONSHIP FOR A SPECIFIC PURPOSE. THE RECIPIENT AGREES TO USE IT ONLY FOR SUCH PURPOSE AND RETURN IT TO ENCLOSURES OF AMERICA™ UPON REQUEST.

EAI Enclosures of America International, LTD
28045 Ashley Circle #106 Libertyville, Illinois, USA 60048

Title Eng. Drawing D size Master

Date 5/15/00
Scale 1:1

Drn. by R.F.K.
Sheet 1 of 1

MB5 - MASTER