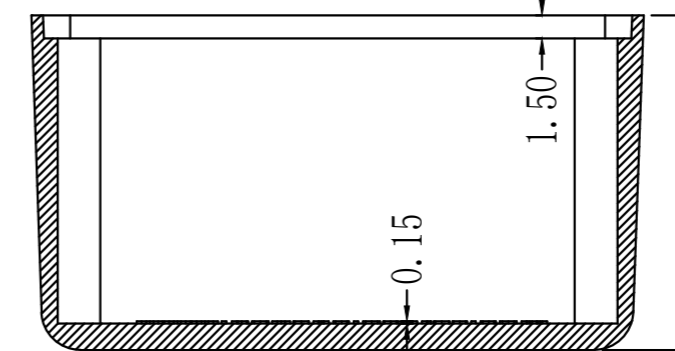
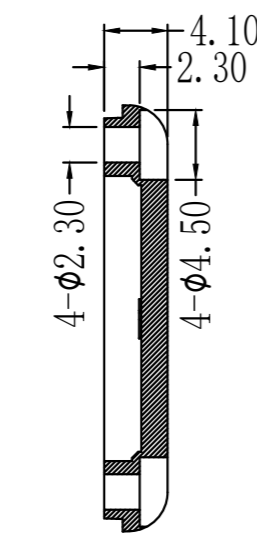
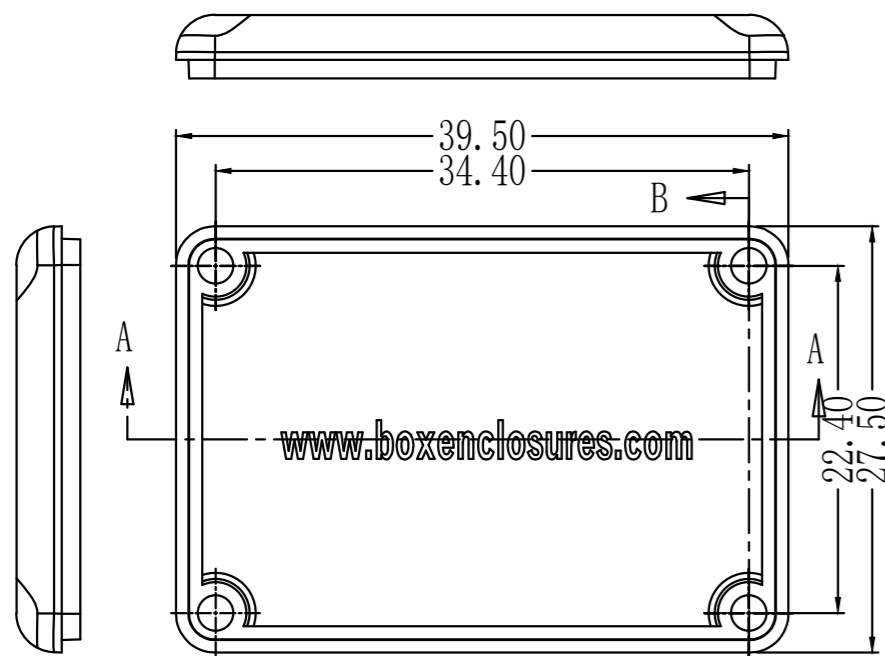


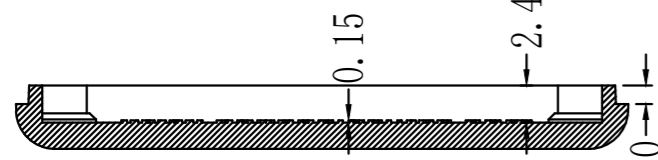
SECTION B-B



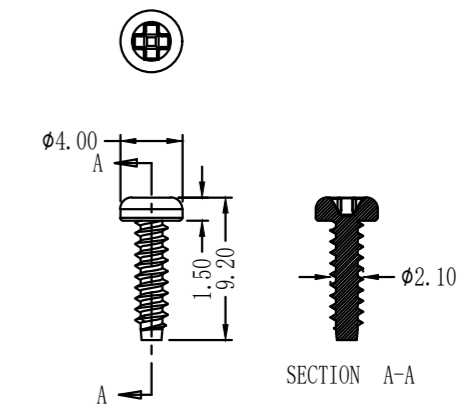
SECTION A-A



SECTION B-B



SECTION A-A



SECTION A-A

<p>ENCLOSURES & ASSEMBLY SERVICES</p>		Revision:	
		Model:	
Title: BMC-206D Master Drawing		Dwg. No.:	Part No.:
Material: ABS	TOLERANCE all dimension in mm unless otherwise specified. x ±0.20 .x ±0.10 .xx ±0.05 ANGLE ±0.5°	Color:	Drn. Date 18/1/2010 HUA
Finish:		Qty:	Chk. Date
Proj:		Sheet of	App. Date