

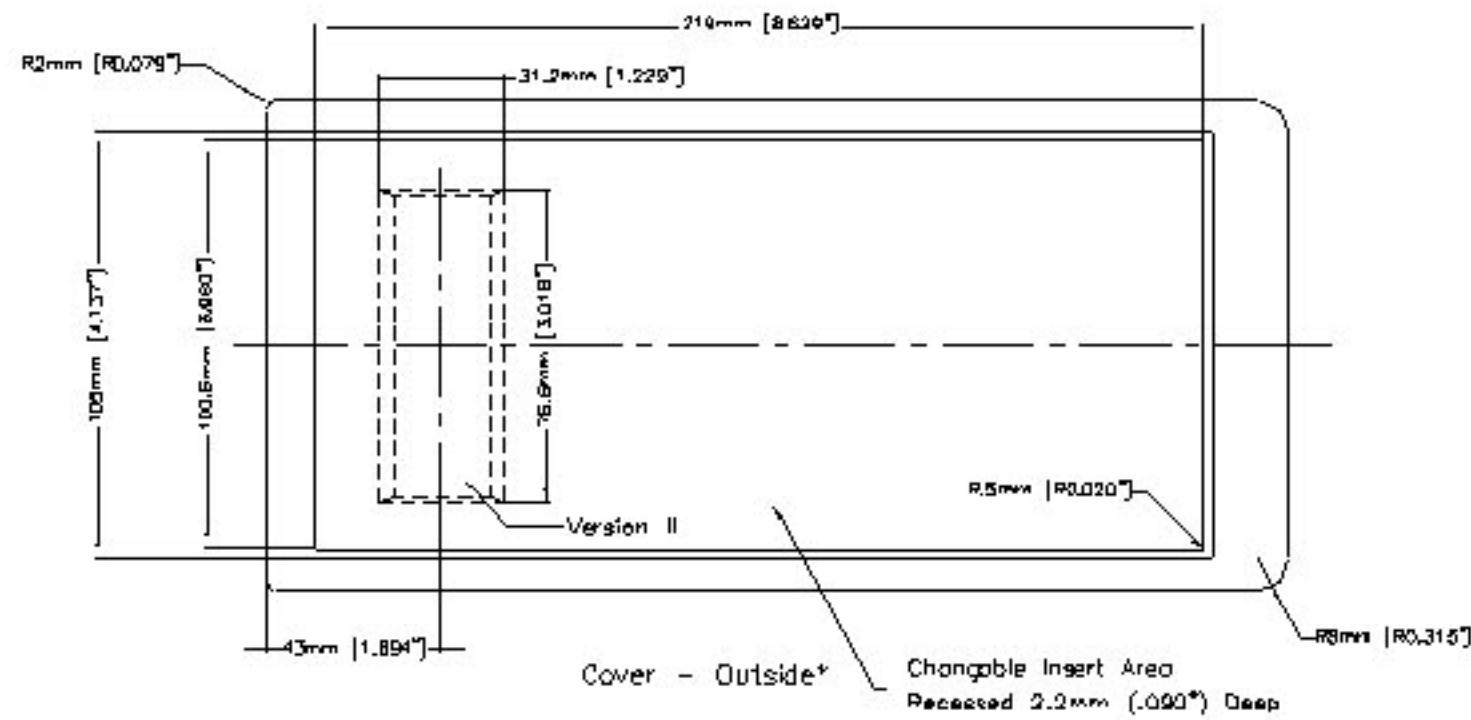


# Enclosures of America Intl. LTD.

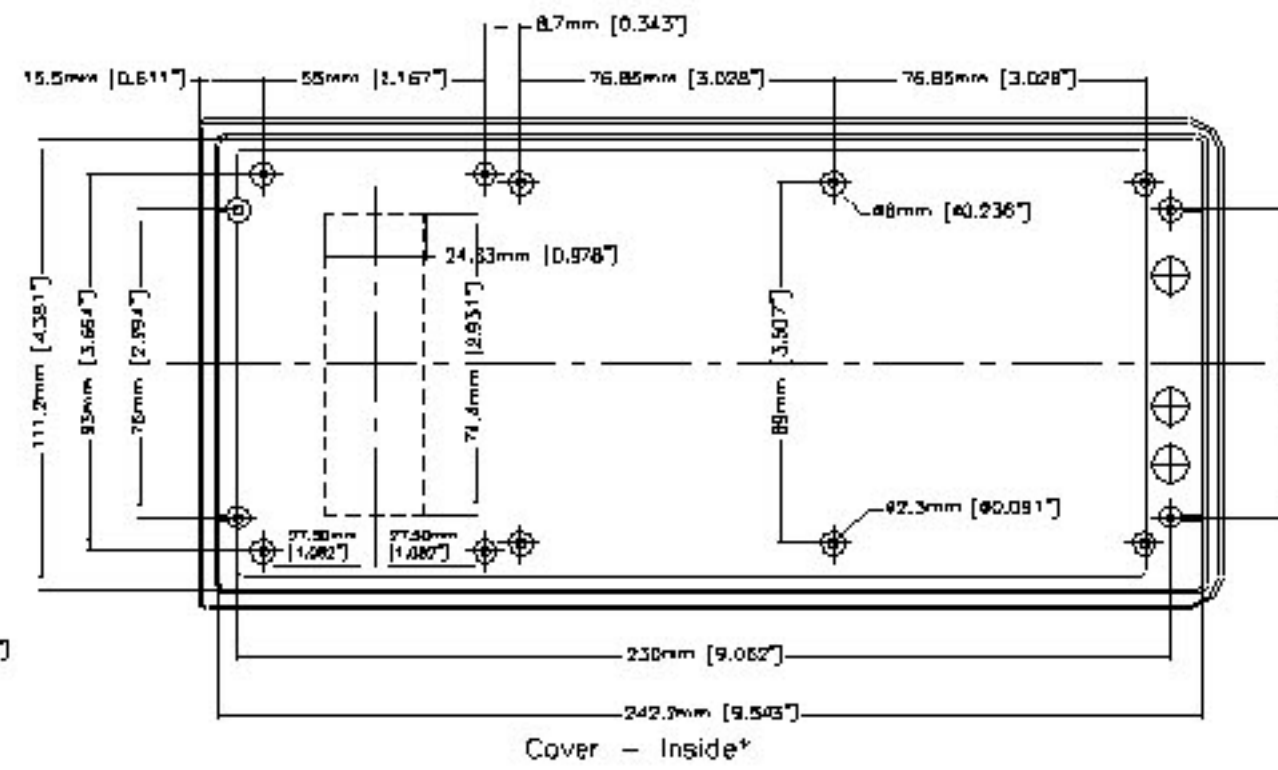
Tel: 847-918-9800

www.eai-enclosures.com

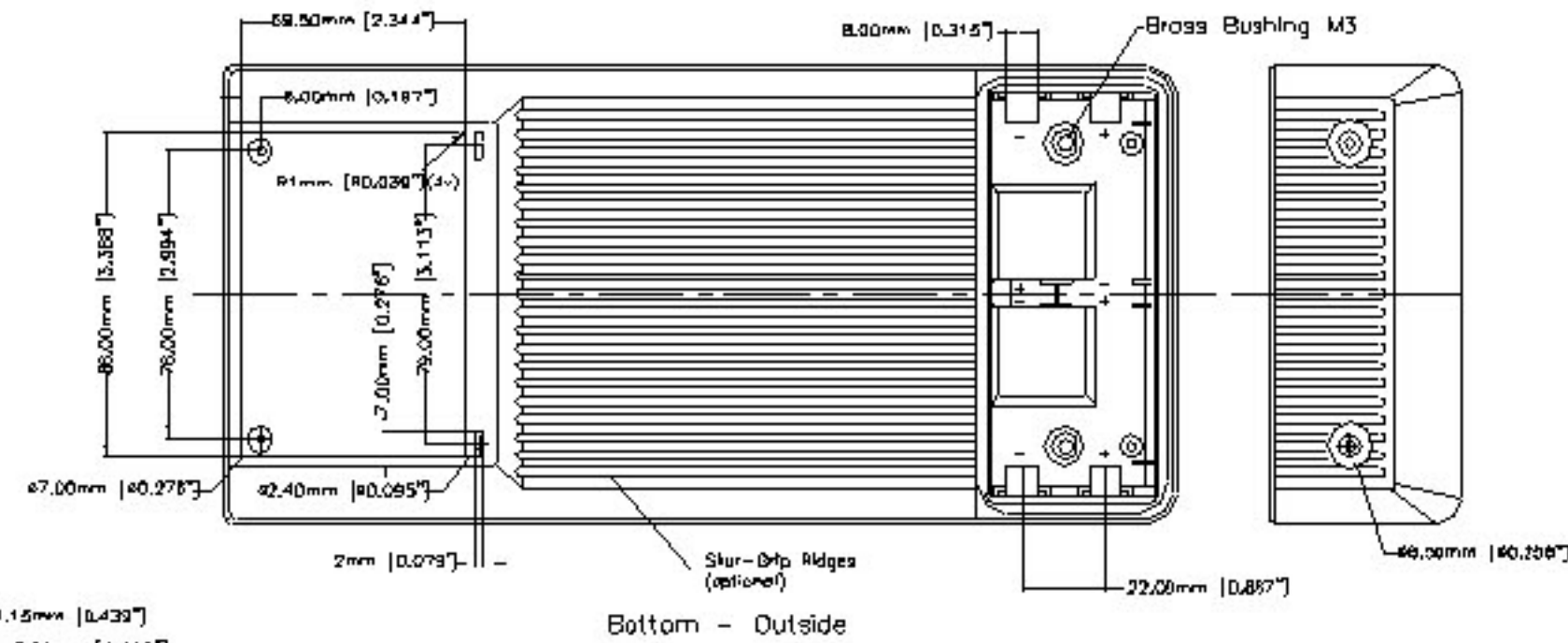
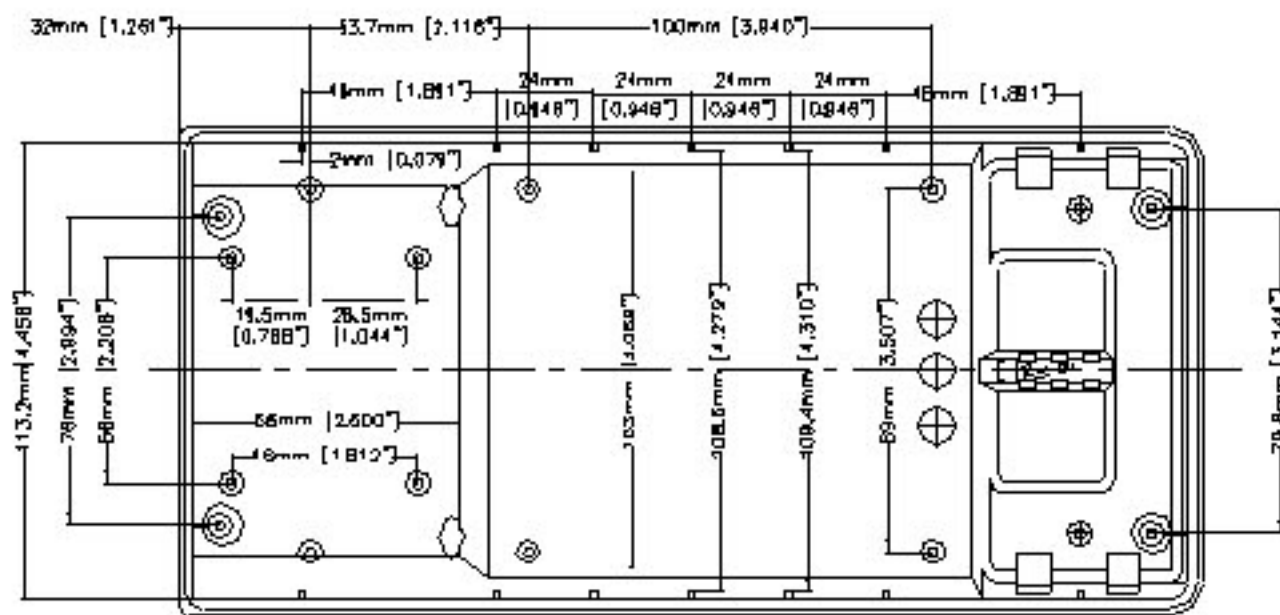
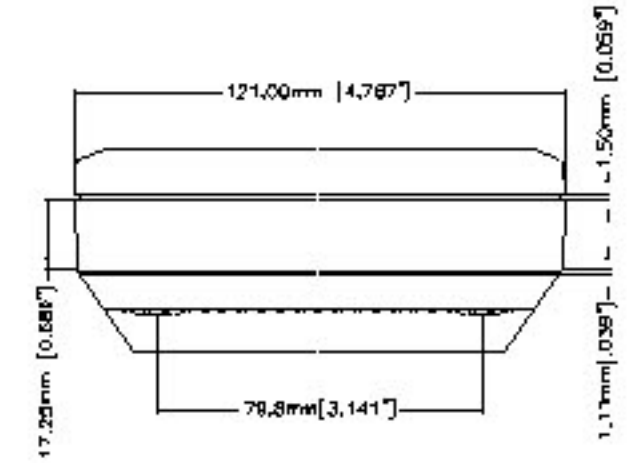
Fax: 847-918-9807



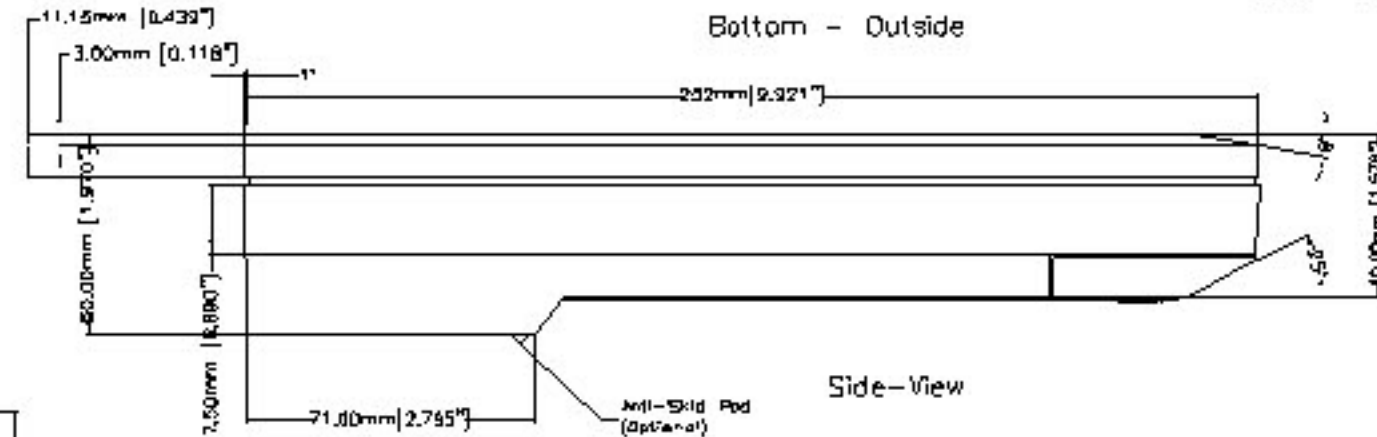
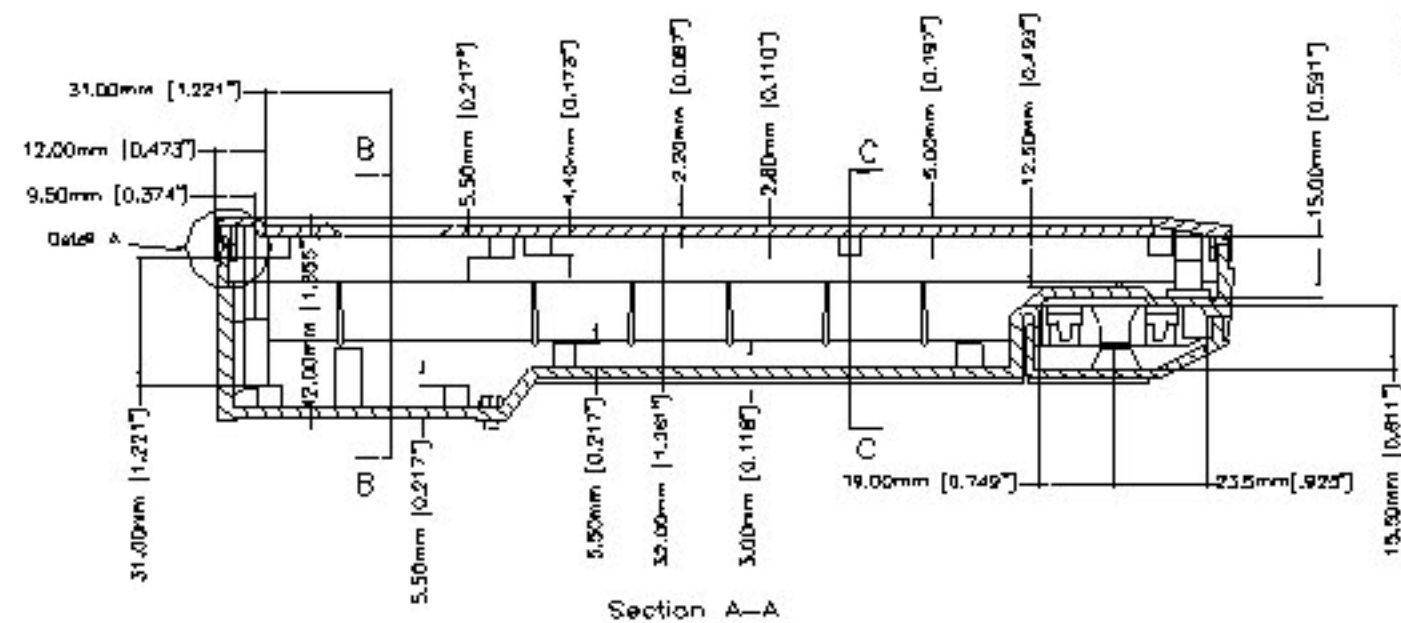
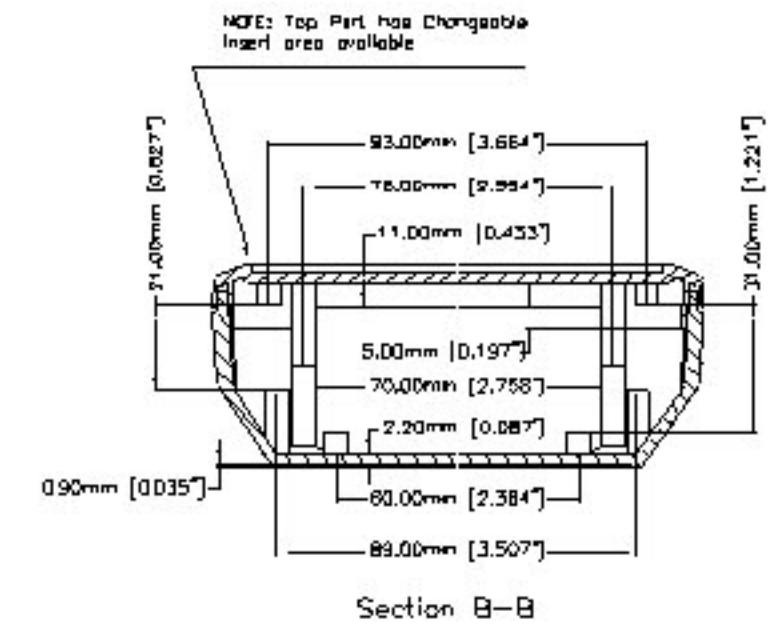
Changeable Insert Area  
Recessed 2.2mm (.088") Deep



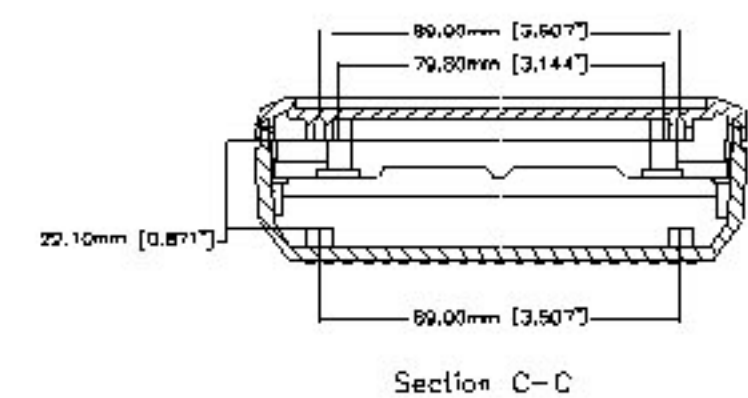
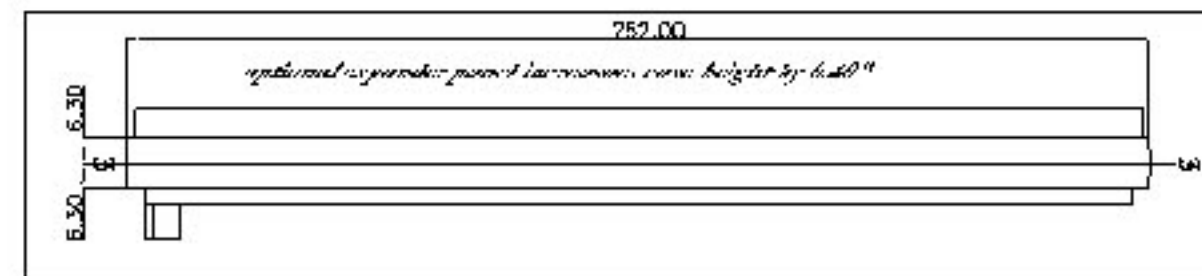
Detail A



Bottom - Outside



Side-View



### \* LED WINDOW OPENINGS

Version I None  
Version II 74.8x24.2mm for LCD  
module of 20 charactersx4 lines  
module size 98x80mm

Maximum size of PCB:  
Base-190x108mm  
Top-110x241mm  
(Cutout of pillars not  
taken into consideration)

THIS DRAWING IS THE PROPERTY OF AND MAY EMBODY PROPRIETARY INFORMATION OWNED BY ENCLOSURES OF AMERICA™. IT IS PROVIDED UNDER A CONFIDENTIAL RELATIONSHIP FOR A SPECIFIC PURPOSE. THE RECIPIENT AGREES TO USE IT ONLY FOR SUCH PURPOSE AND RETURN IT TO ENCLOSURES OF AMERICA™ UPON REQUEST.

**EAI** Enclosures of America International, LTD

28045 Ashley Circle #106 Libertyville, Illinois, USA 60048

Title Eng. Drawing D size Master

Date 5/15/00 Dm. by R.F.K.

Scale 1:30mm Dwg. # MBL-MASTER Sheet 1 of 1