

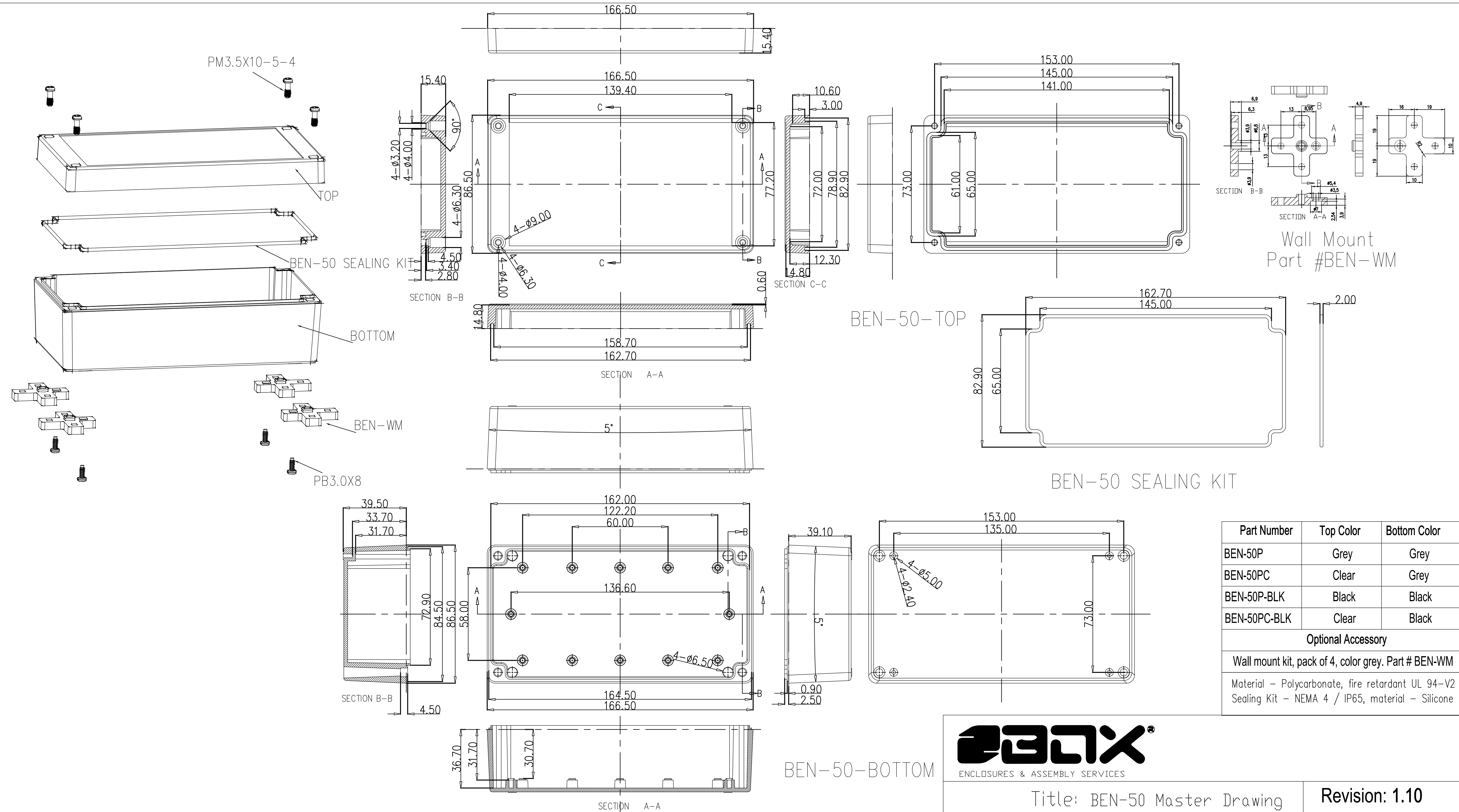
ENCLOSURES & ASSEMBLY SERVICES

BOX ENCLOSURES, INC

14092 W. Lambs Lane

Libertyville, IL 60048

TEL: 847-932-4700 www.boxenclosures.com



Wall Mount
Part #BEN-WM

| Part Number | Top Color | Bottom Color |
|--------------|-----------|--------------|
| BEN-50P | Grey | Grey |
| BEN-50PC | Clear | Grey |
| BEN-50P-BLK | Black | Black |
| BEN-50PC-BLK | Clear | Black |

Optional Accessory
 Wall mount kit, pack of 4, color grey. Part # BEN-WM
 Material - Polycarbonate, fire retardant UL 94-V2
 Sealing Kit - NEMA 4 / IP65, material - Silicone



ENCLOSURES & ASSEMBLY SERVICES

| | | | |
|------------------------------|--|--------------------------|---------------------------------|
| Title: BEN-50 Master Drawing | | Revision: 1.10 | |
| Material: Polycarbonate | TOLERANCE all dimension in mm unless otherwise specified. × ±0.20 .× ±0.10 .×× ±0.05 ANGLE ±0.5° | Drn. | Date |
| Finish: Polished | | PAN | 2008-08-22 |
| Pro. | | Fire rating: UL 94-V2 | Sealing rating: NEMA4 / IP65 |

THIS DRAWING IS THE PROPERTY OF AND MAY EMBODY PROPRIETARY INFORMATION OWNED BY Box Enclosures. IT IS PROVIDED UNDER A CONFIDENTIAL RELATIONSHIP FOR A SPECIFIC PURPOSE. THE RECIPIENT AGREES TO USE IT ONLY FOR SUCH PURPOSE AND RETURN IT TO Box Enclosure UPON REQUEST.