



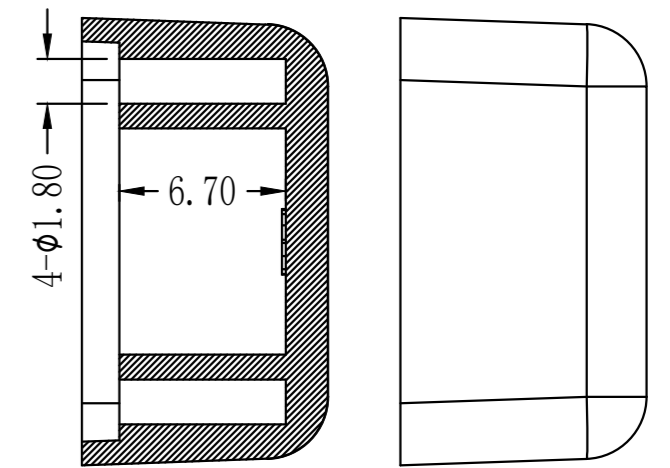
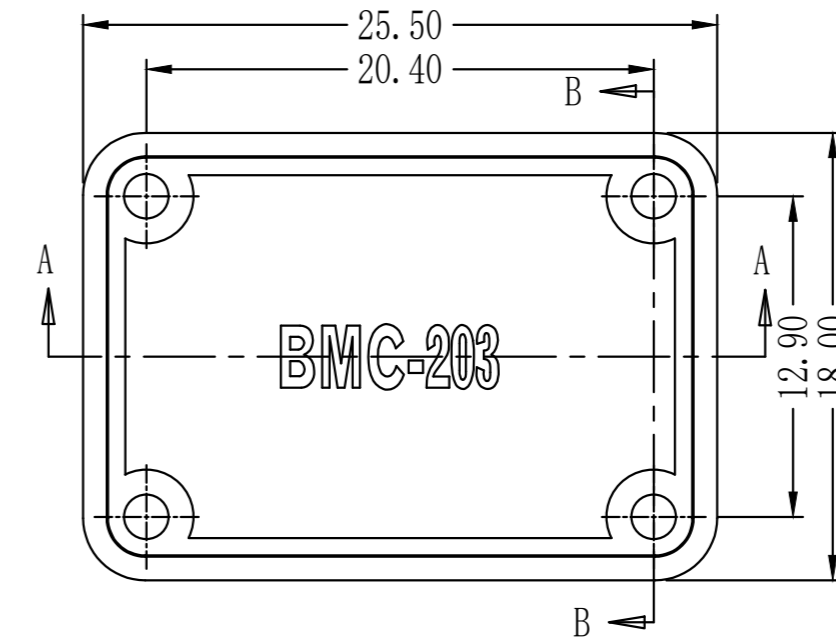
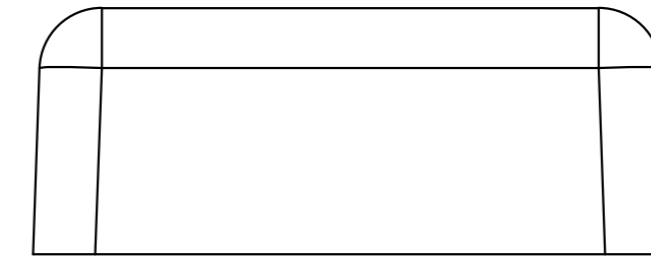
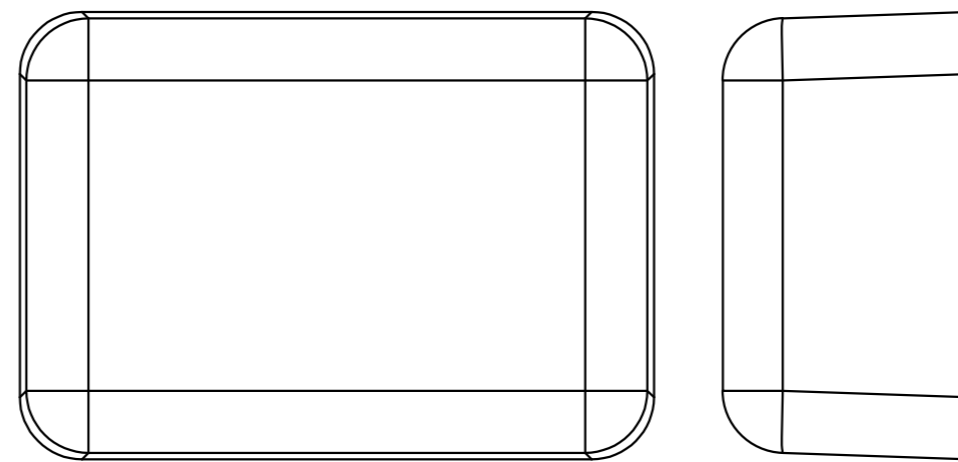
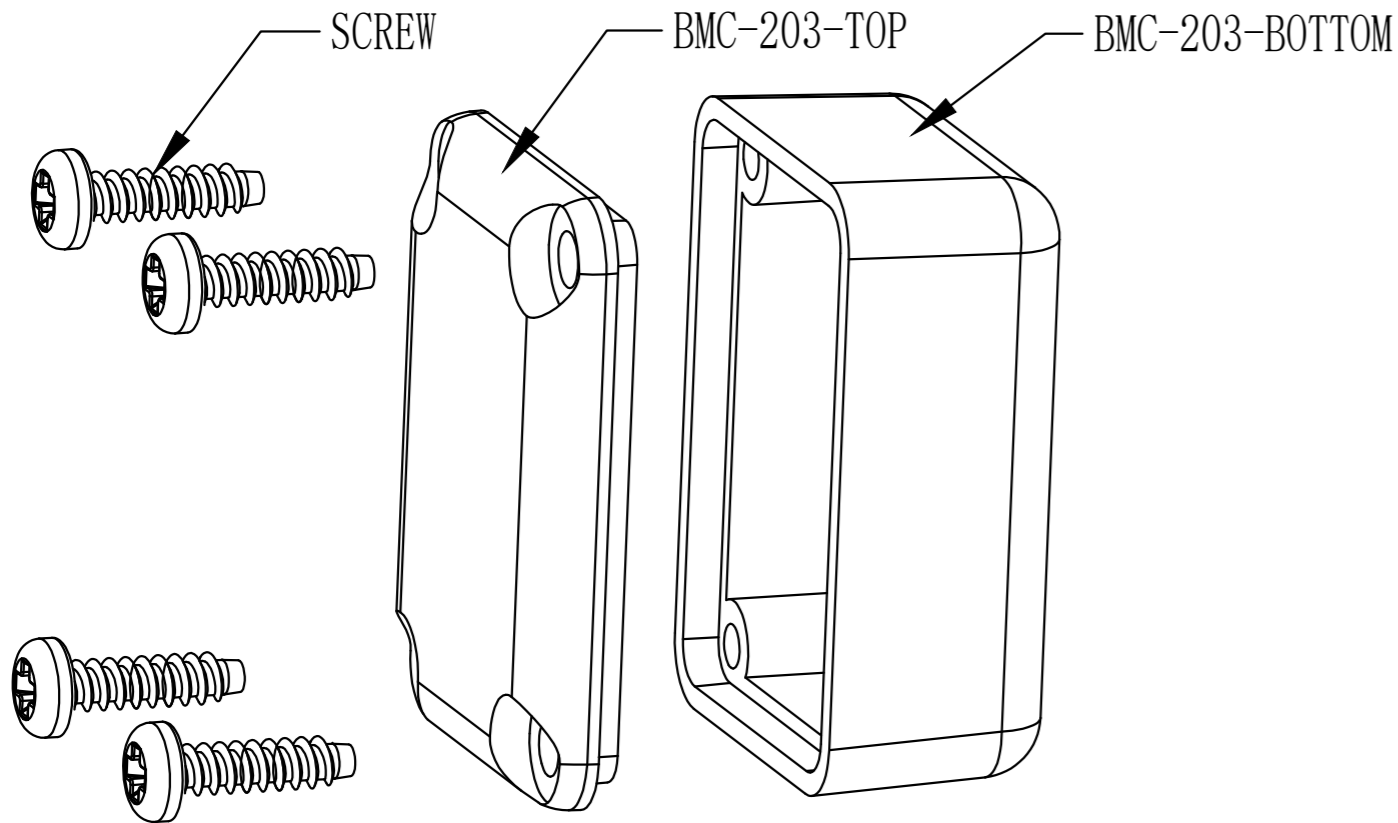
ENCLOSURES & ASSEMBLY SERVICES

BOX ENCLOSURES, INC
14092 LAMBS LANE
LIBERTYVILLE, IL 60048

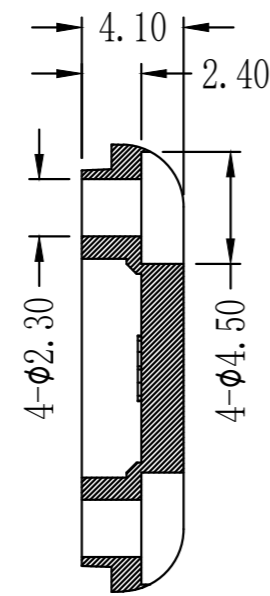
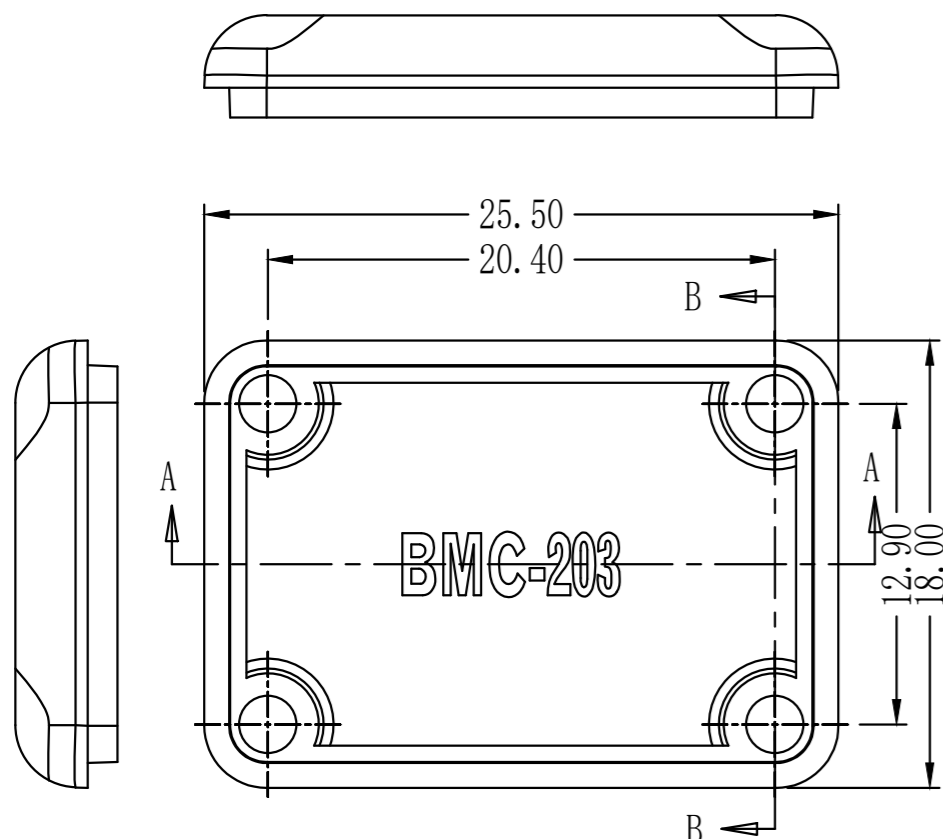
TEL: 847-932-4700

WWW.BOXENCLOSURES.COM

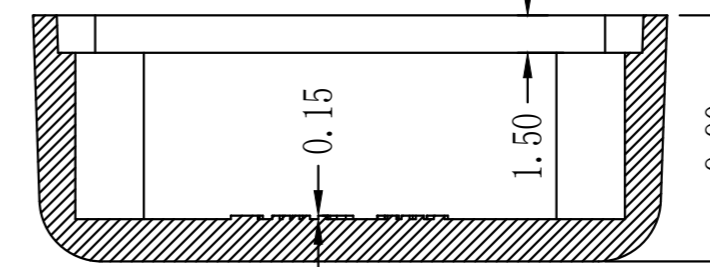
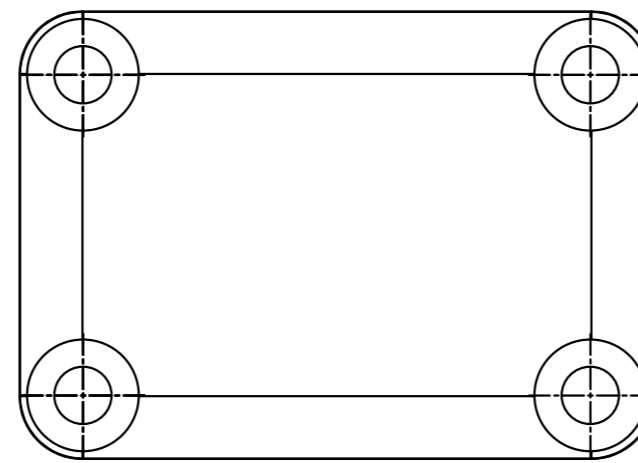
FAX: 847-932-4701



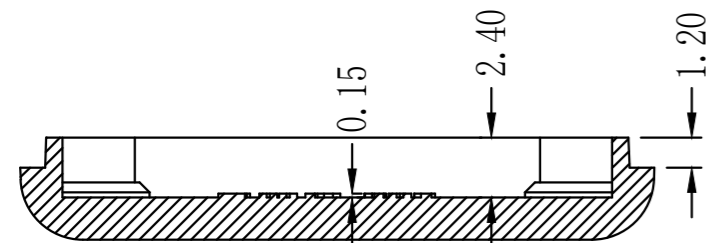
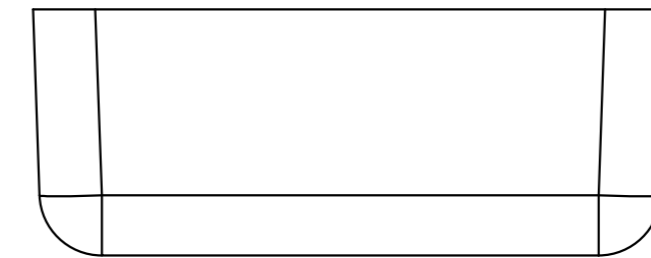
SECTION B-B



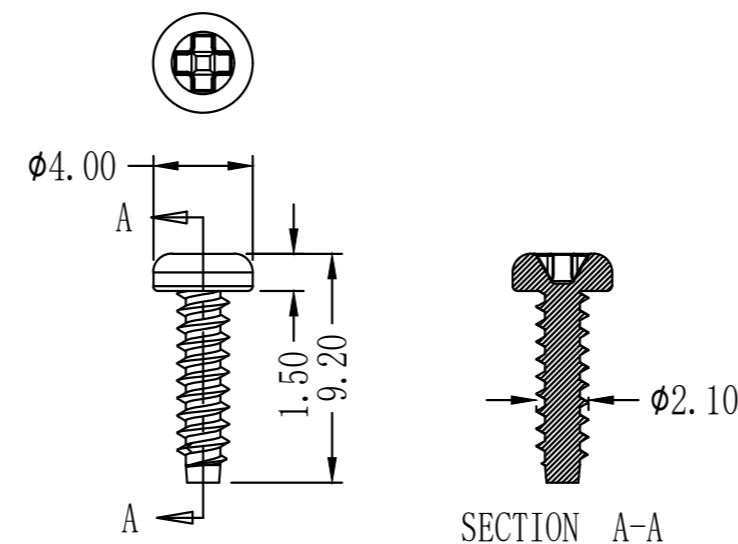
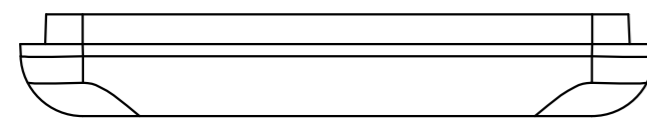
SECTION B-B



SECTION A-A



SECTION A-A



SECTION A-A



ENCLOSURES & ASSEMBLY SERVICES

Title		BMC-203 Master Drawing		Revision:	
Material:		ABS		Model:	
Finish:		TOLERANCE all dimension in mm unless otherwise specified.		Part No.:	
Proj:		Color:		Drn. Date	
Sheet of		Qty:		14/1/2010 HUA	
App. Date		App. Date		Date	

THIS DRAWING IS THE PROPERTY OF AND MAY EMBODY PROPRIETARY INFORMATION OWNED BY Box Enclosures Inc. IT IS PROVIDED UNDER A CONFIDENTIAL RELATIONSHIP FOR A SPECIFIC PURPOSE. THE RECIPIENT AGREES TO USE IT ONLY FOR SUCH PURPOSE AND RETURN IT TO Box Enclosure UPON REQUEST.