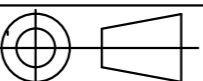
 ENCLOSURES & ASSEMBLY SERVICES		Revision:	
		Model:	
Title: BSF-400 Master Drawing		Dwg. No.:	Part No.:
Material: ABS	TOLERANCE all dimension in mm unless otherwise specified.	Color:	Drn. Date 19/1/2010 HUA
Finish:		Qty:	Chk. Date
Proj: 	x ±0.20 .x ±0.10 .xx ±0.05 ANGLE ±0.5°	Sheet of	App. Date