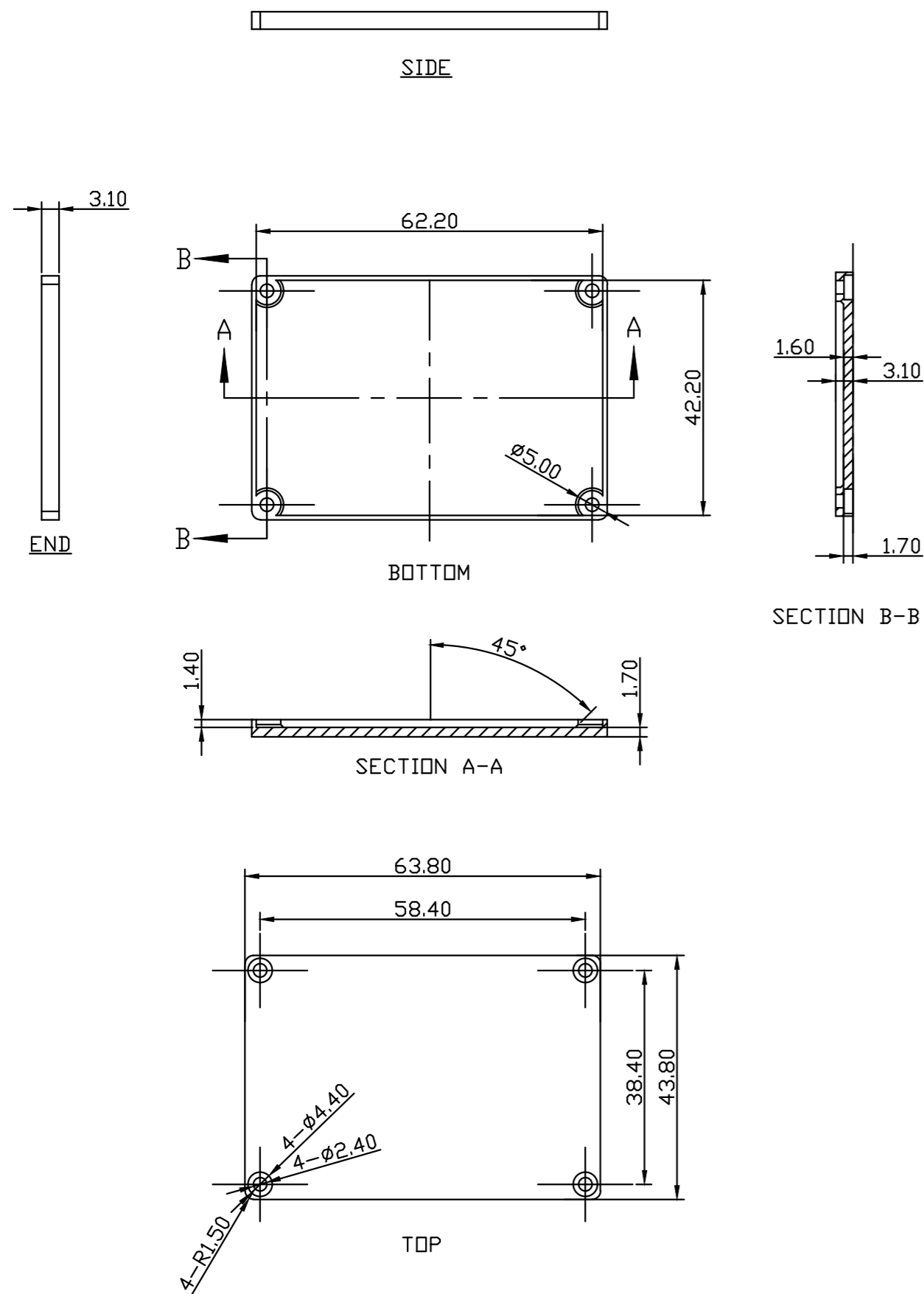


ENCLOSURES & ASSEMBLY SERVICES

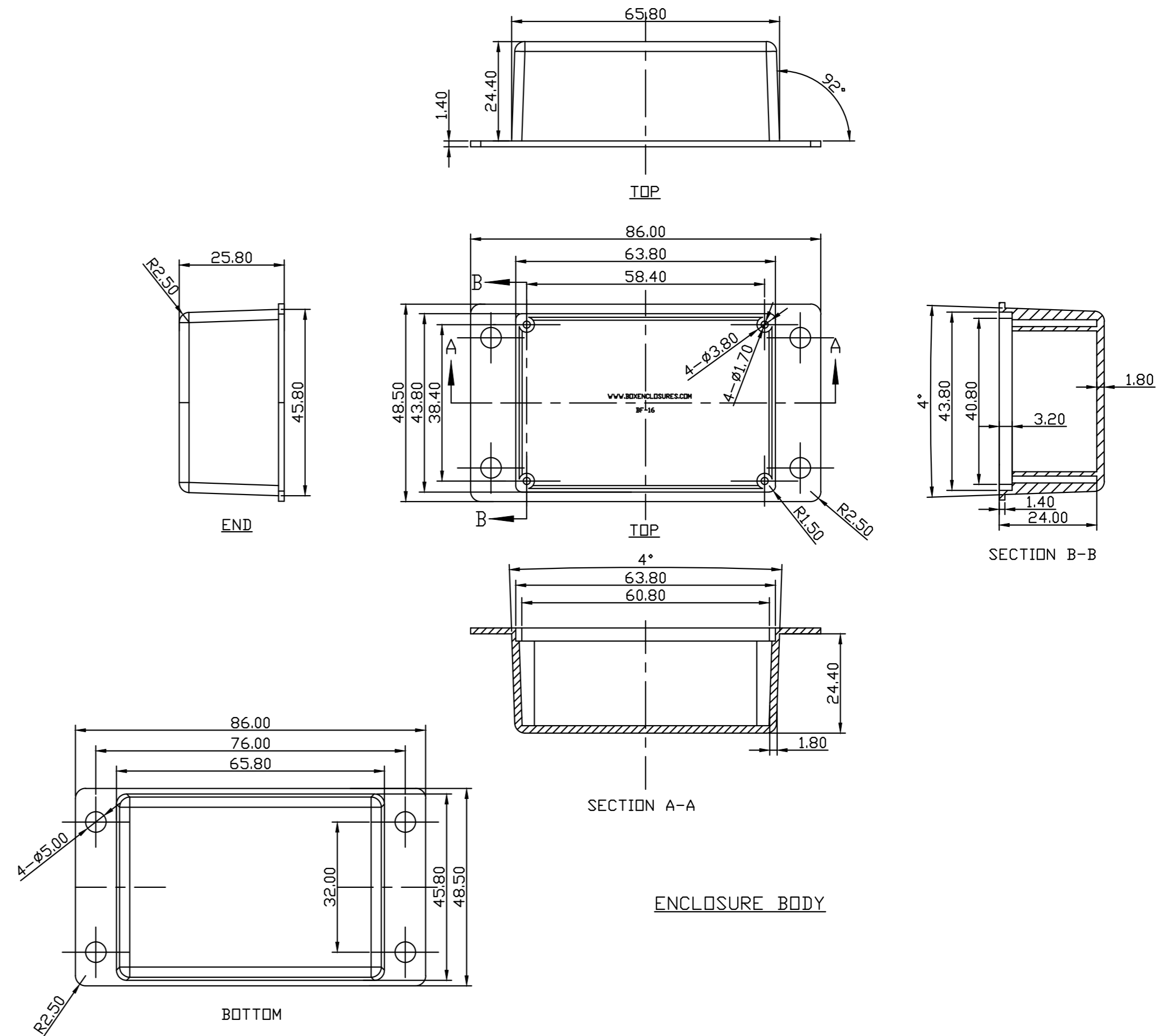
BOX ENCLOSURES, INC

14092 LAMBS LANE
LIBERTYVILLE, IL 60048

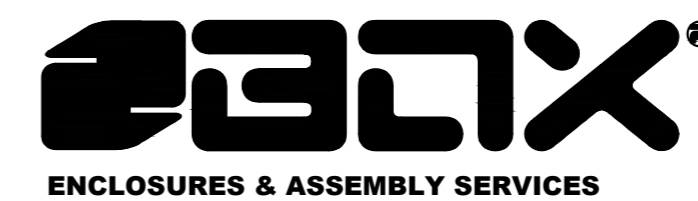
TEL: 847-932-4700 WWW.BOXENCLOSURES.COM FAX: 847-932-4701



ENCLOSURE COVER



ENCLOSURE BODY



Title		FLANGE CASE BF-16		Dwg. No.:		Part No.:	
Material:		ABS		Color:		Drn. Date	
Finish:		TOLERANCE all dimension in mm unless otherwise specified.		Qty:		Chk. Date	
Proj.		$\times \pm 0.20$ $.x \pm 0.10$ $.xx \pm 0.05$ ANGLE $\pm 0.5^\circ$		A2 Sheet 1 of 1		App. Date	
Revision:		Model:		Revision:		Model:	

THIS DRAWING IS THE PROPERTY OF AND MAY EMBODY PROPRIETARY INFORMATION OWNED BY Box[®] Enclosures Inc. IT IS PROVIDED UNDER A CONFIDENTIAL RELATIONSHIP FOR A SPECIFIC PURPOSE. THE RECIPIENT AGREES TO USE IT ONLY FOR SUCH PURPOSE AND RETURN IT TO Box[®] Enclosures Inc. UPON REQUEST.