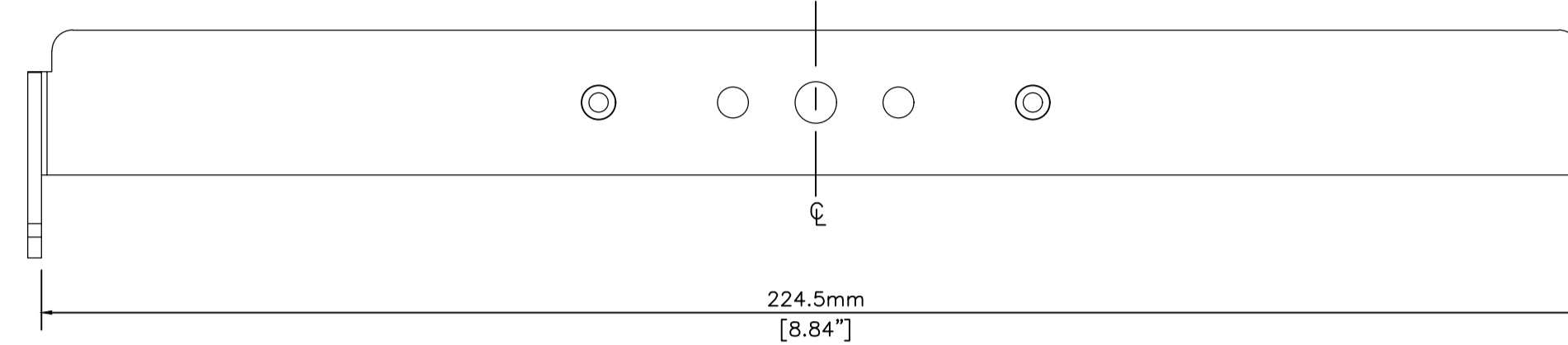
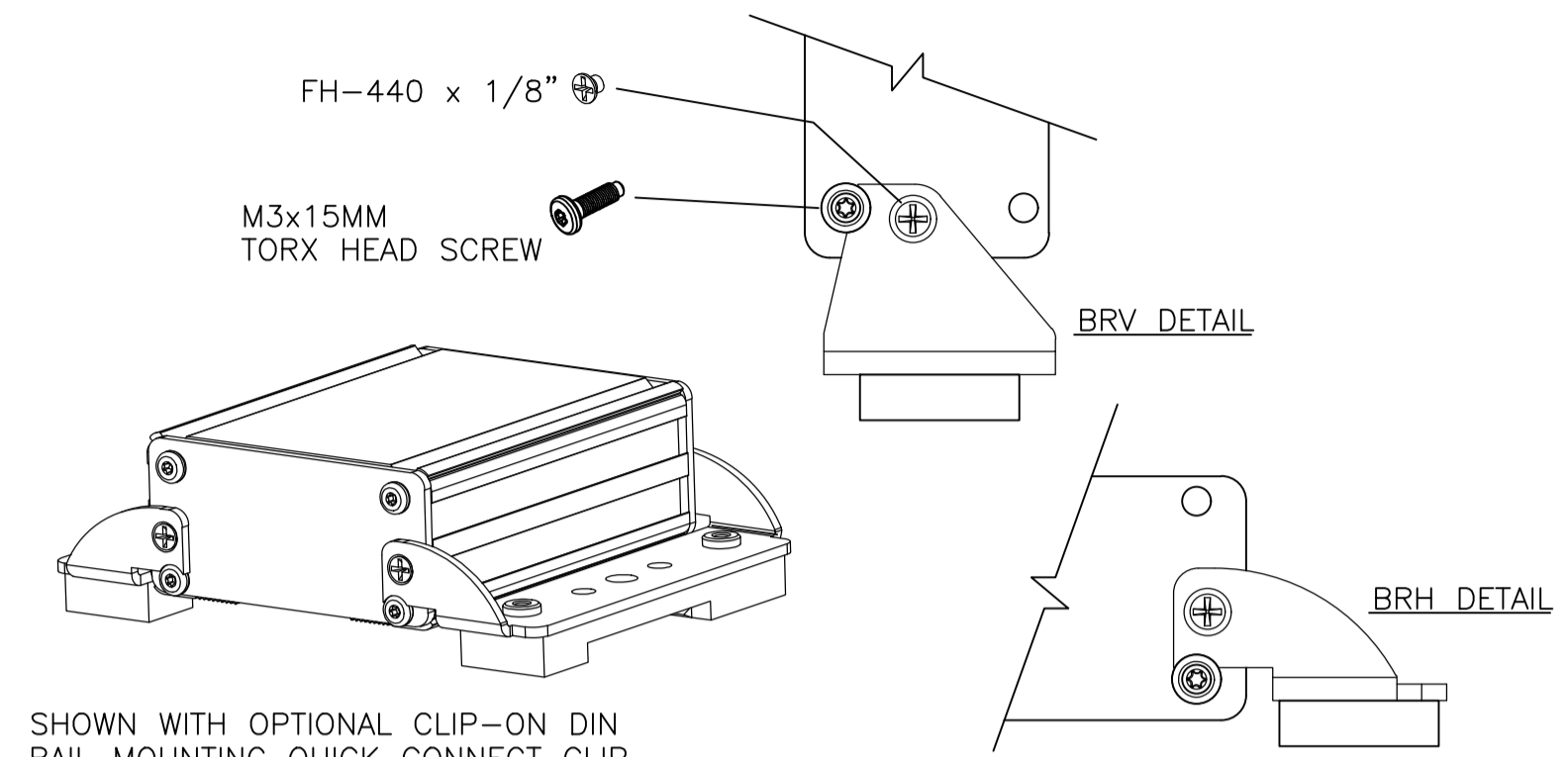


BRV 220 TOP VIEW

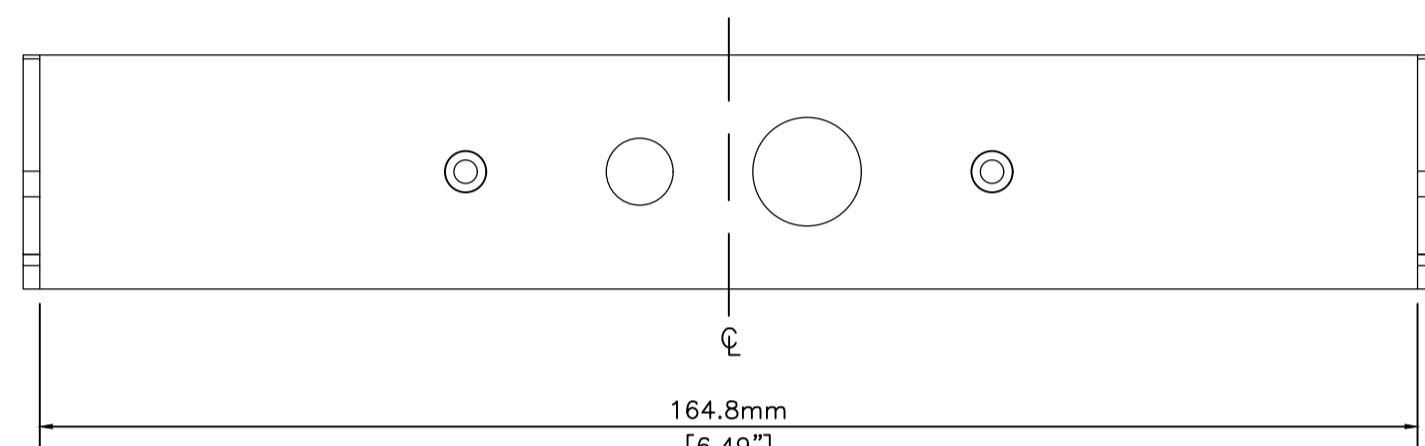


BRH 220 TOP VIEW

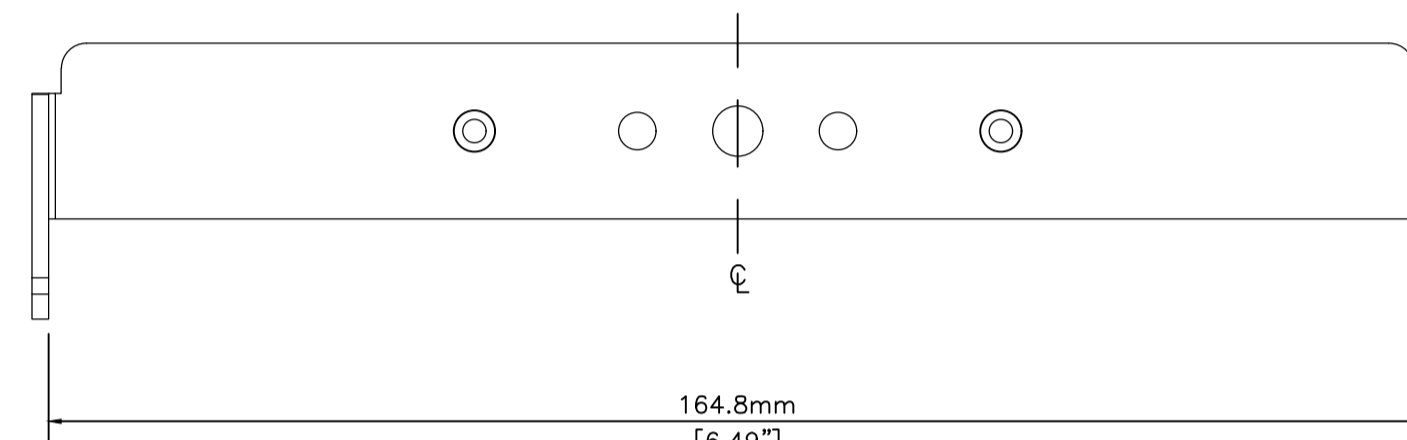


SHOWN WITH OPTIONAL CLIP-ON DIN RAIL MOUNTING QUICK CONNECT CLIP

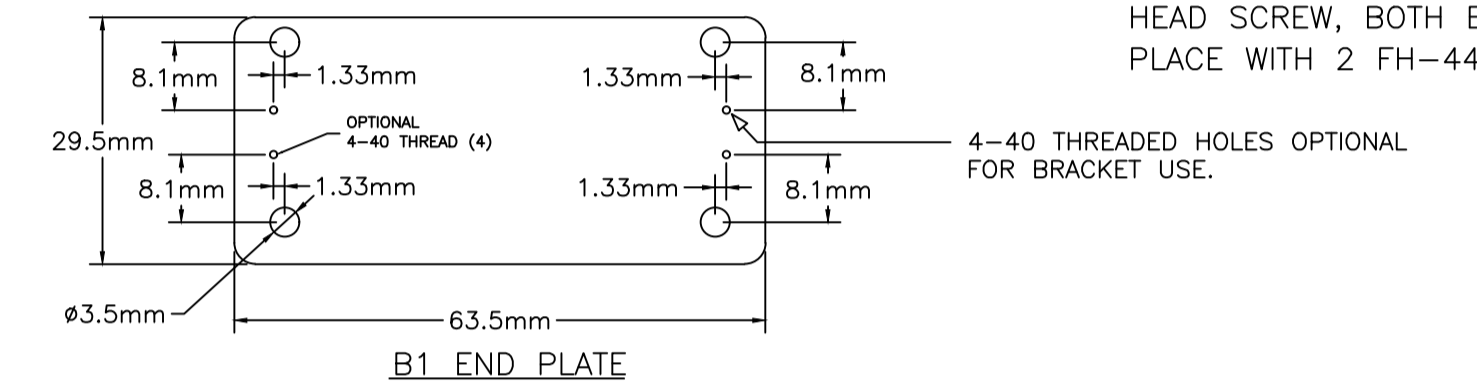
NOTE:  
BRACKET RESTS AGAINST M3 TORX HEAD SCREW, BOTH ENDS, HELD IN PLACE WITH 2 FH-440 X 1/8\"/>



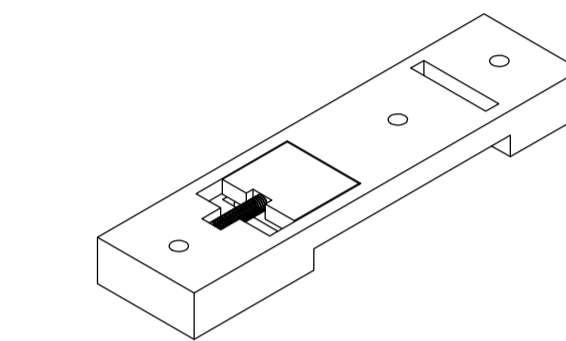
BRV 160 TOP VIEW



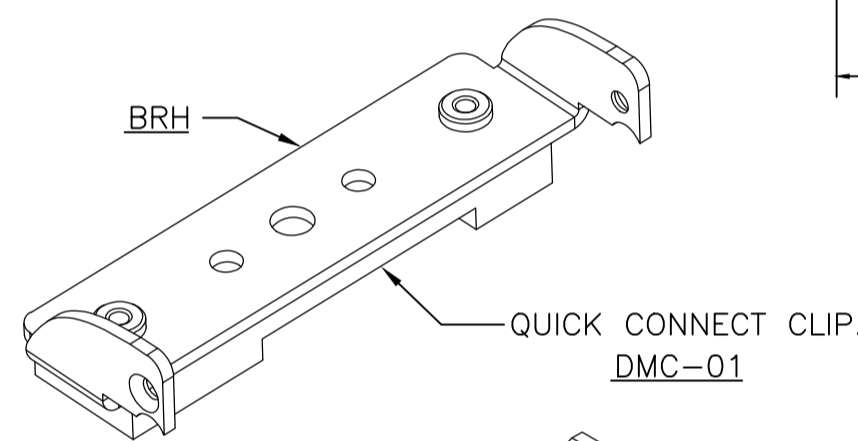
BRH 160 TOP VIEW



B1 END PLATE

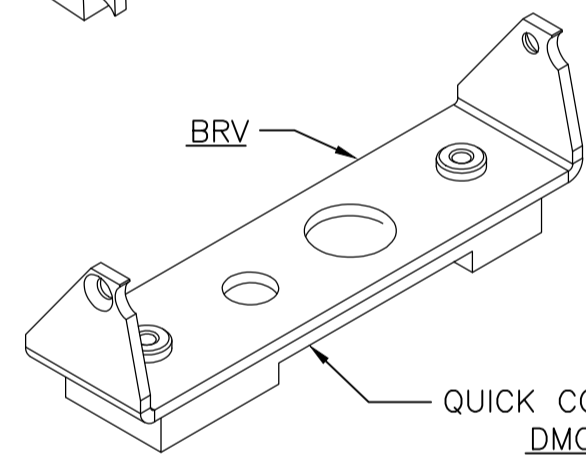


OPTIONAL CLIP-ON, DIN RAIL MOUNTING, QUICK CONNECT CLIP. PART NUMBER-DMC-01



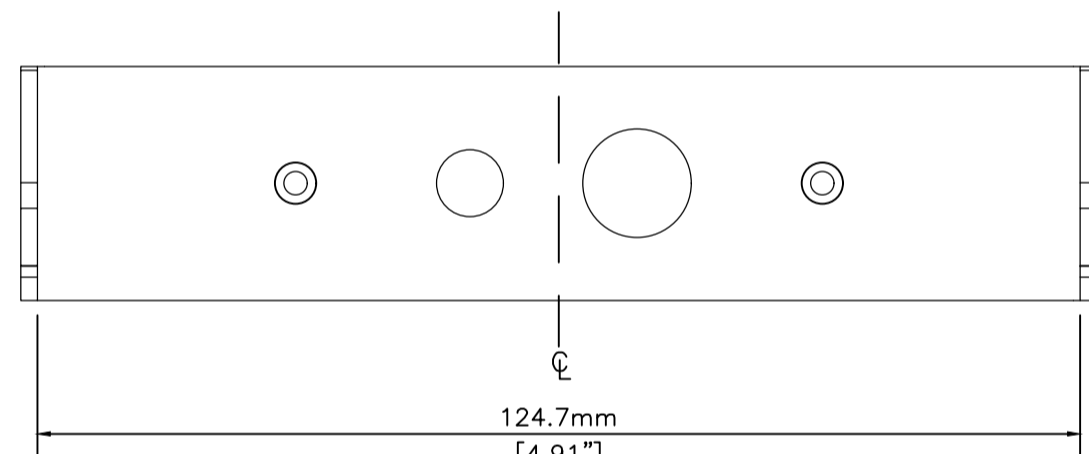
BRH

QUICK CONNECT CLIP. DMC-01

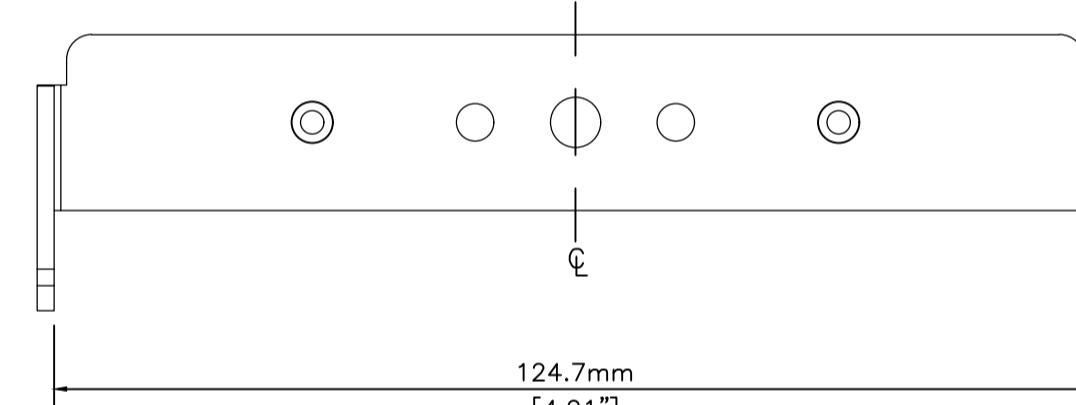


BRV

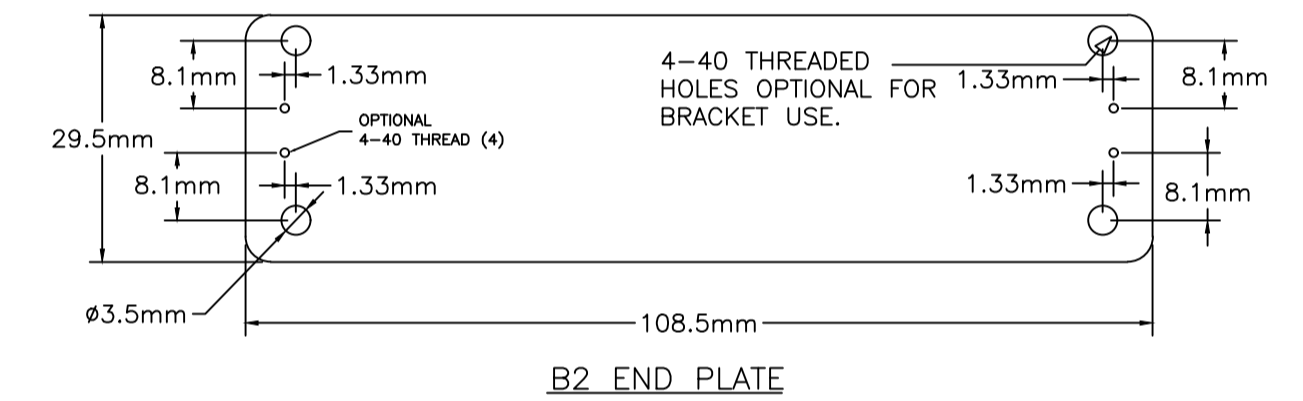
QUICK CONNECT CLIP. DMC-01



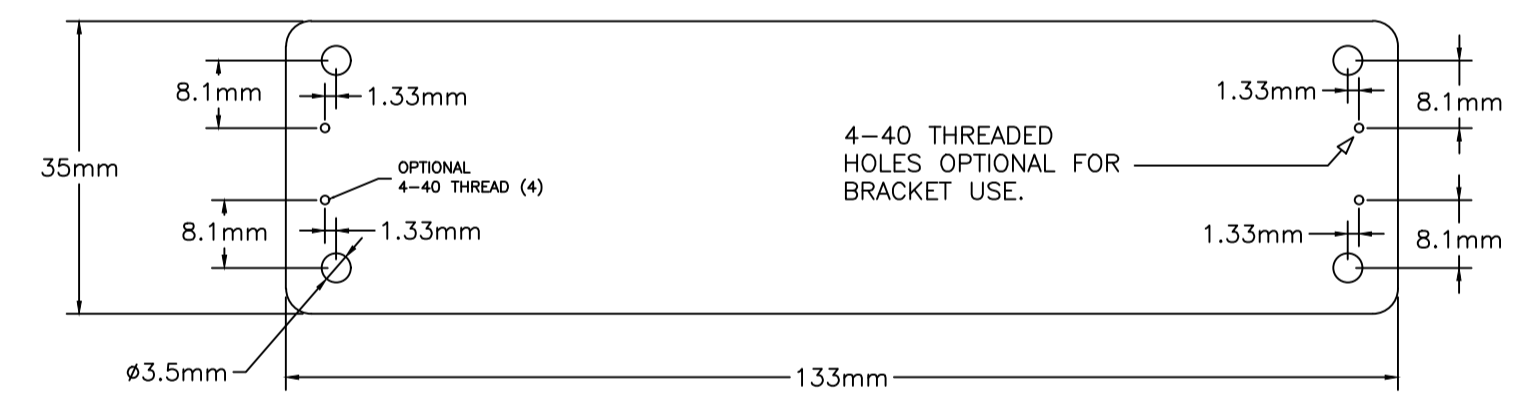
BRV 120 TOP VIEW



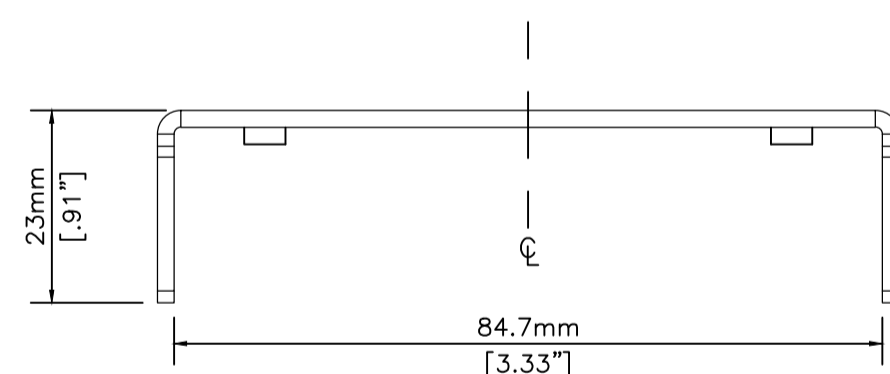
BRH 120 TOP VIEW



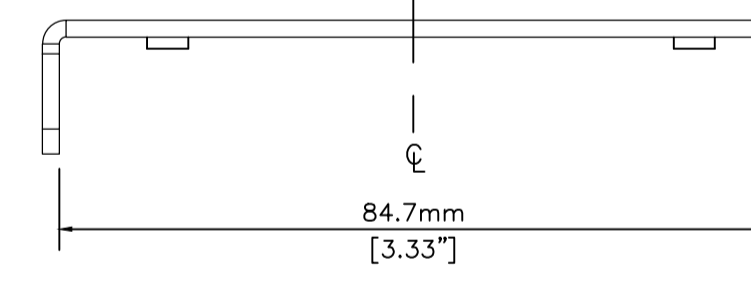
B2 END PLATE



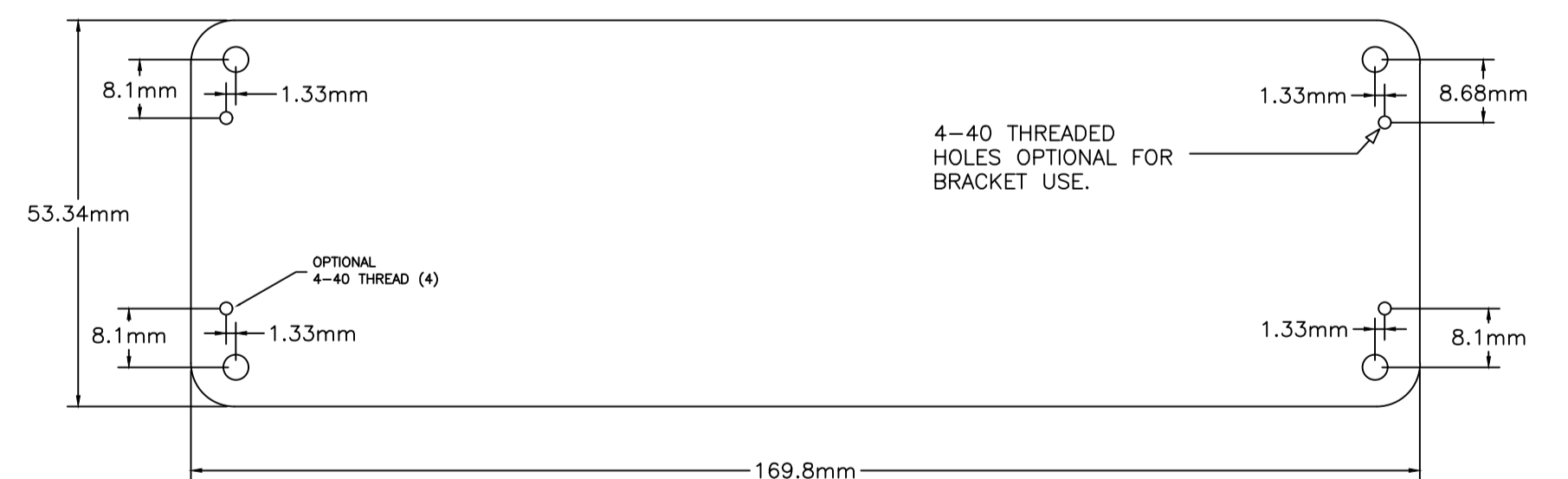
B5 END PLATE



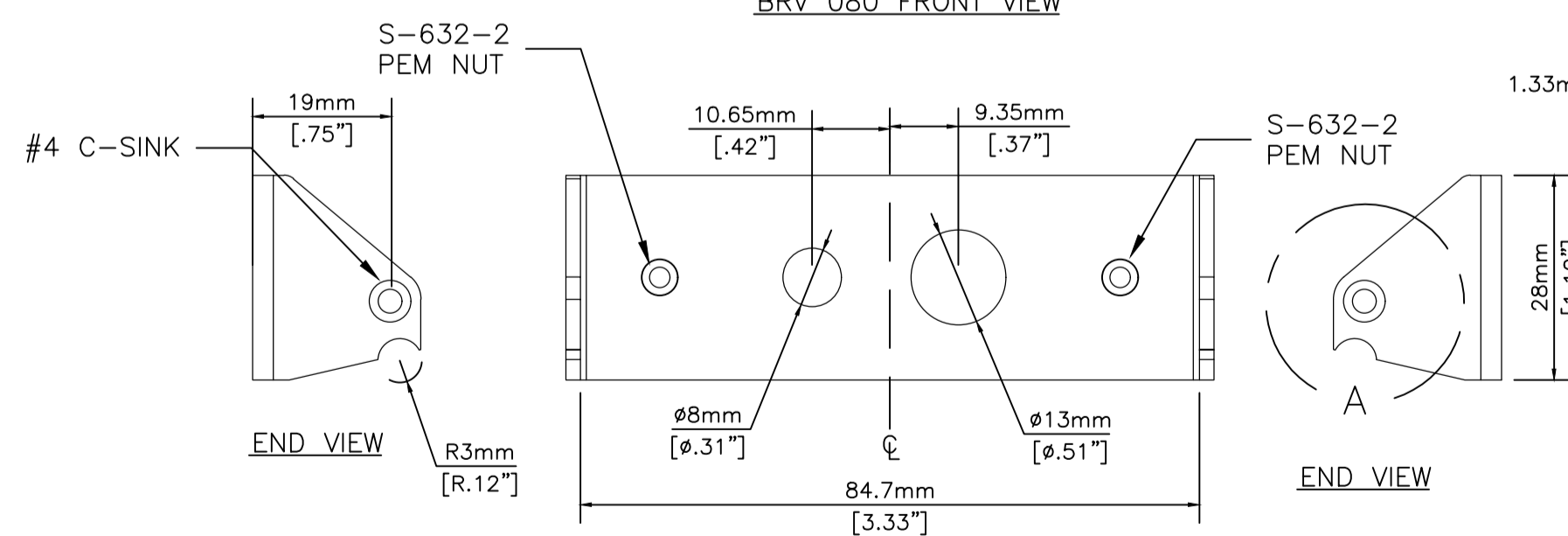
BRV 080 FRONT VIEW



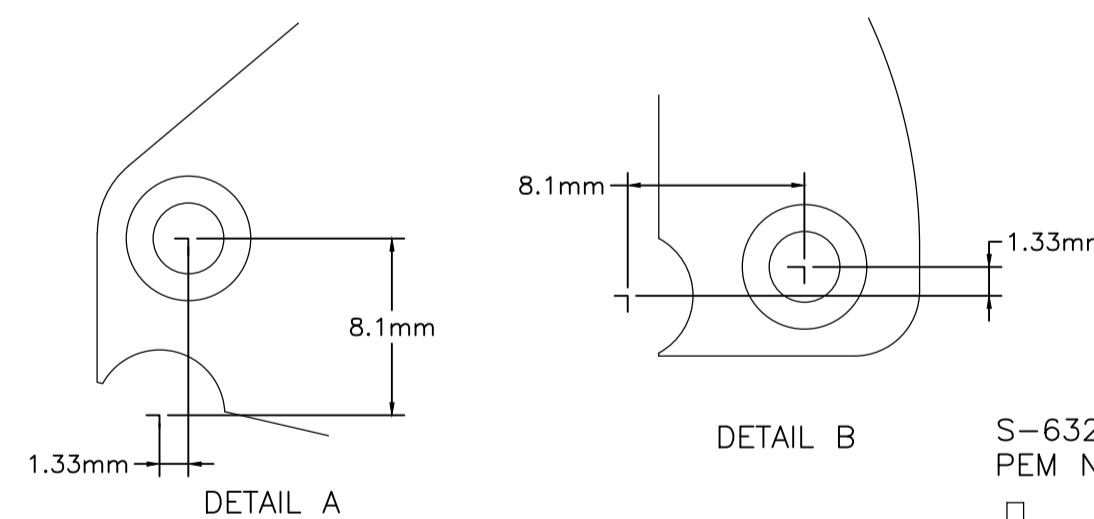
BRH 080 FRONT VIEW



B4 END PLATE

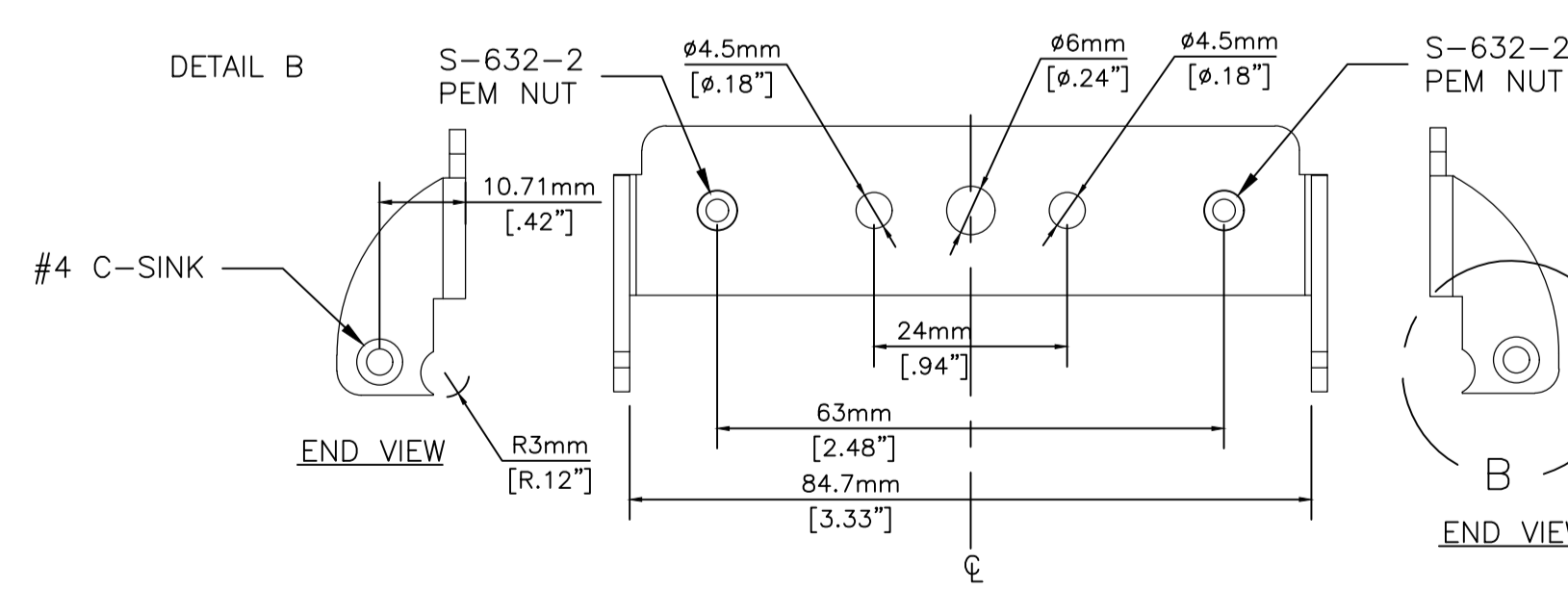


BRV HOLE LOCATIONS-TOP VIEW



DETAIL A

DETAIL B



BRH HOLE LOCATIONS-TOP VIEW

NOTE:  
HOLE SIZES ARE TYPICAL IN ALL VERSIONS.

Title Eng. Drawing A1 size Master

DATE 12/5/23	TITLE Brackets-Master	Drn. by R.F.K.
SCALE 1:1	SHEET 1 of 1	REV 19.A