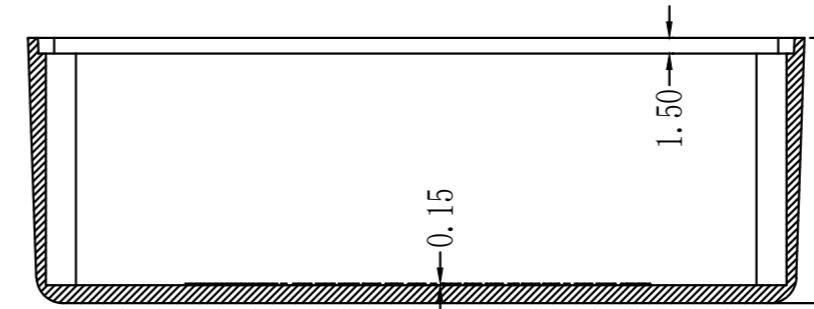
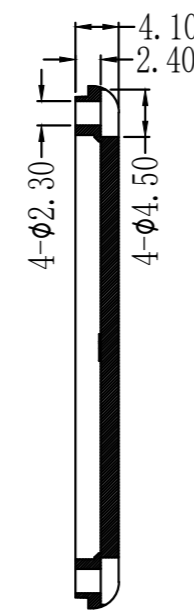
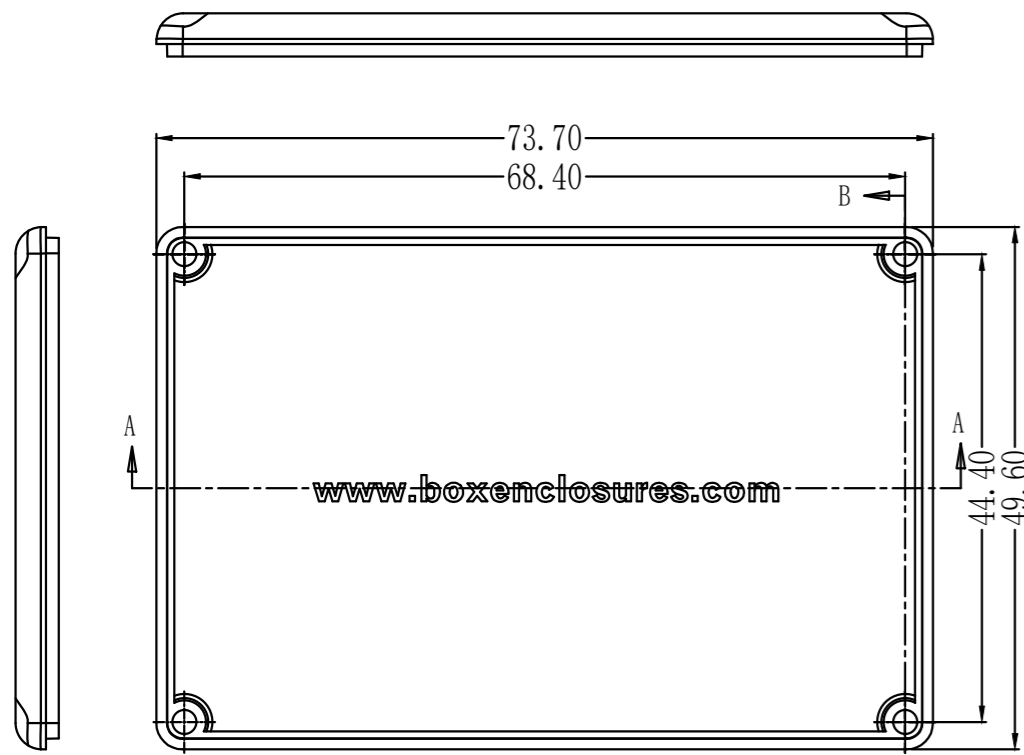
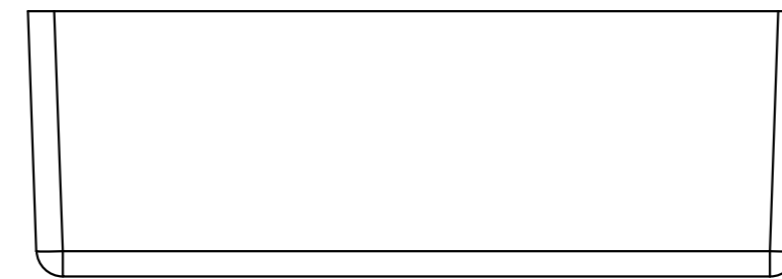


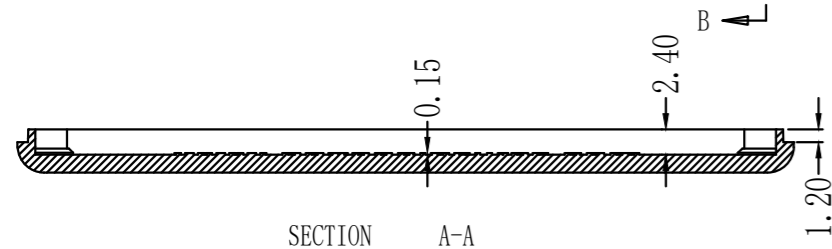
SECTION B-B



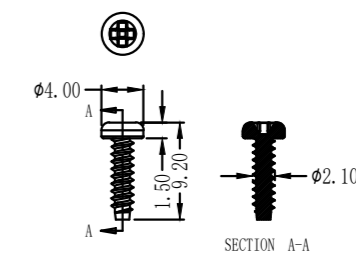
SECTION A-A



SECTION B-B



SECTION A-A



SECTION A-A



Title		BMC-210 Master Drawing		Dwg. No.:		Part No.:	
Material:		ABS		Color:		Drn. Date	
Finish:		TOLERANCE all dimension in mm unless otherwise specified.		Qty:		Chk. Date	
Proj:		× ±0.20 .x ±0.10 .xx ±0.05 ANGLE ±0.5°		Sheet of		App. Date	

THIS DRAWING IS THE PROPERTY OF AND MAY EMBODY PROPRIETARY INFORMATION OWNED BY Box Enclosures Inc. IT IS PROVIDED UNDER A CONFIDENTIAL RELATIONSHIP FOR A SPECIFIC PURPOSE. THE RECIPIENT AGREES TO USE IT ONLY FOR SUCH PURPOSE AND RETURN IT TO Box Enclosure UPON REQUEST.