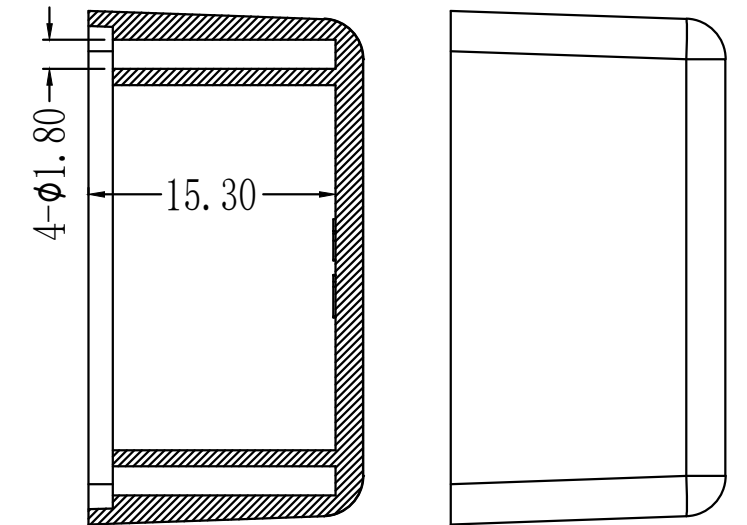
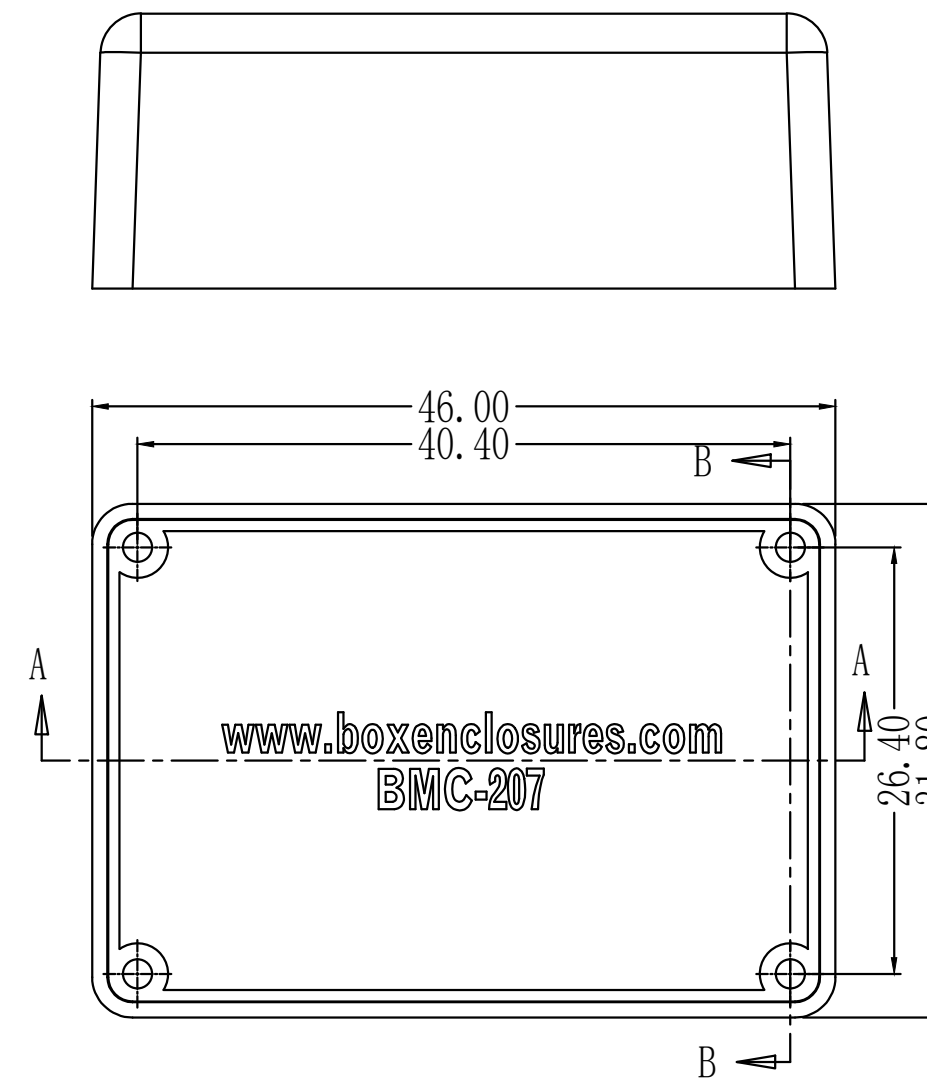
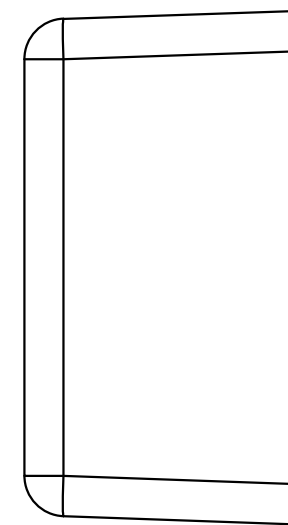
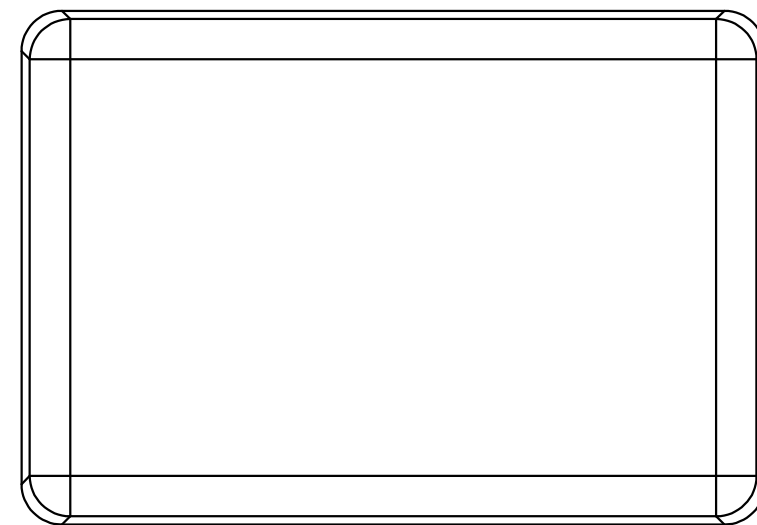
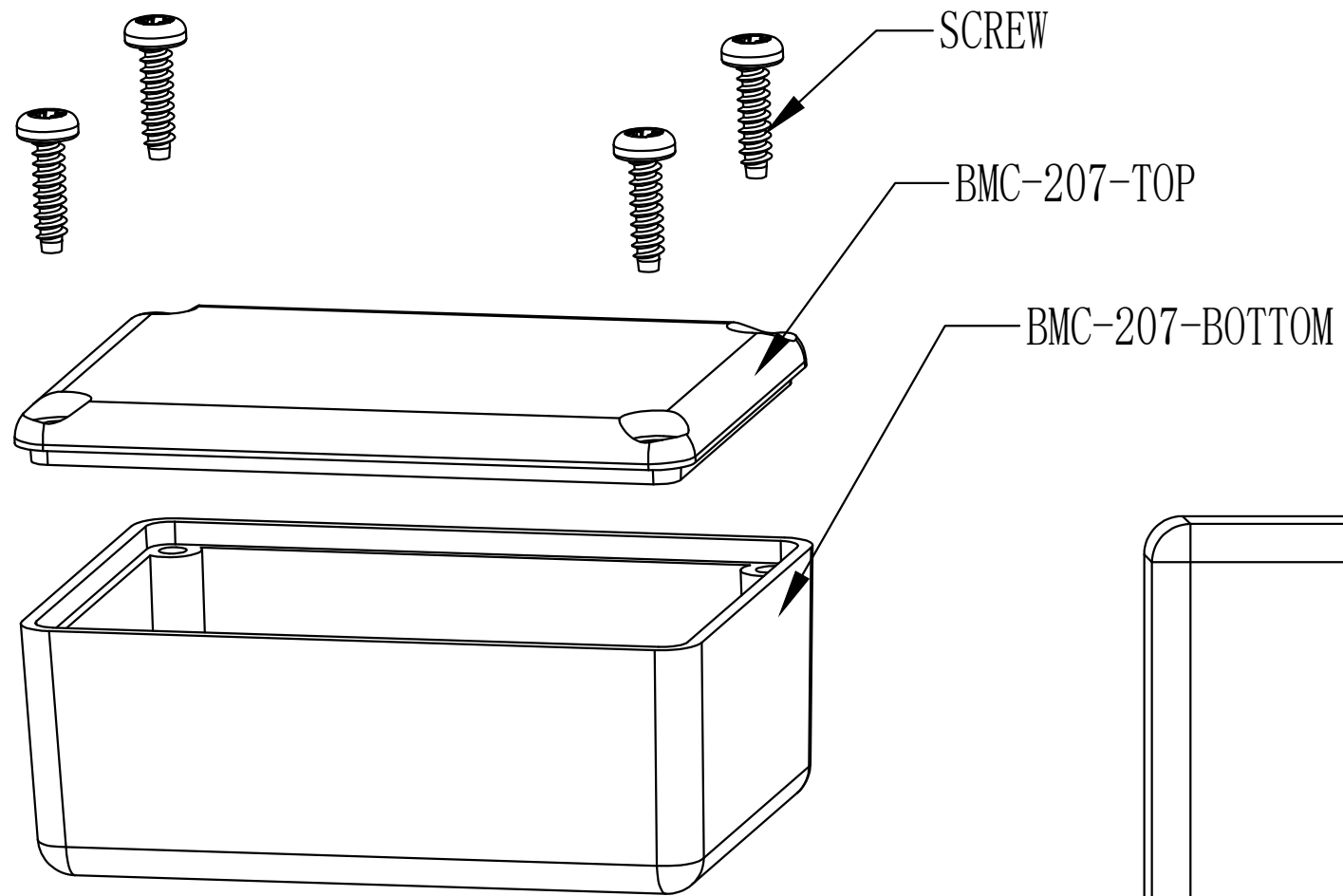


ENCLOSURES & ASSEMBLY SERVICES

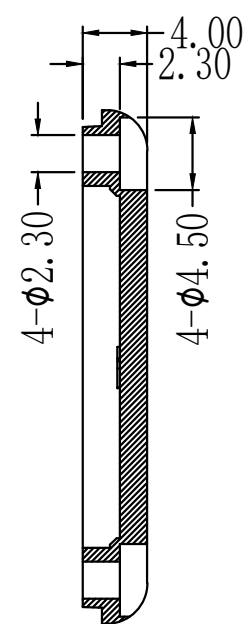
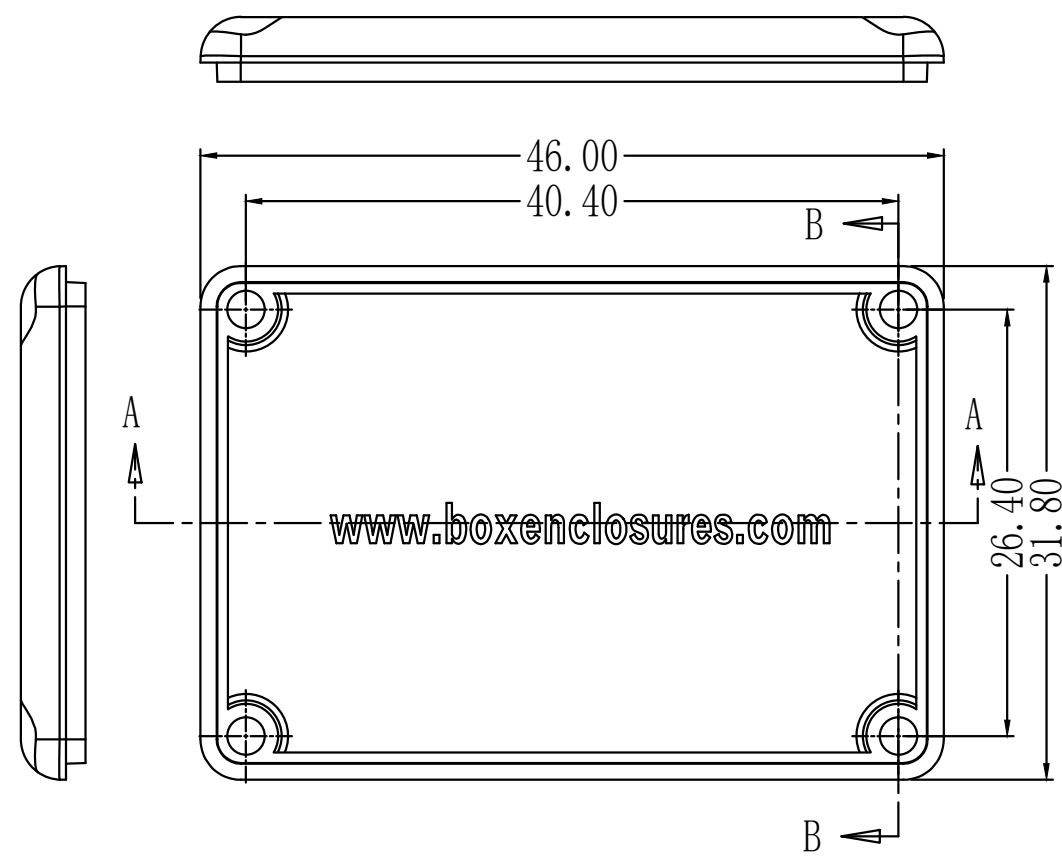
BOX ENCLOSURES, INC
14092 LAMBS LANE
LIBERTYVILLE, IL 60048

TEL: 847-932-4700 WWW.BOXENCLOSURES.COM

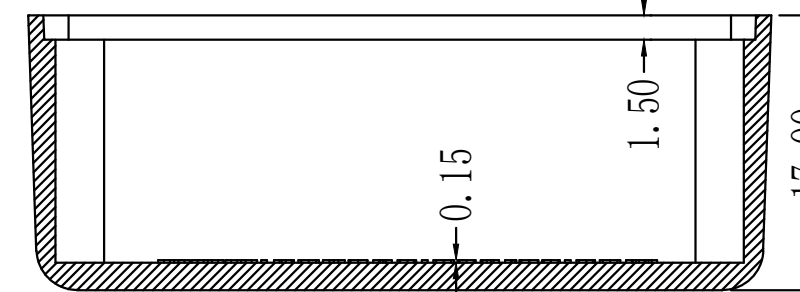
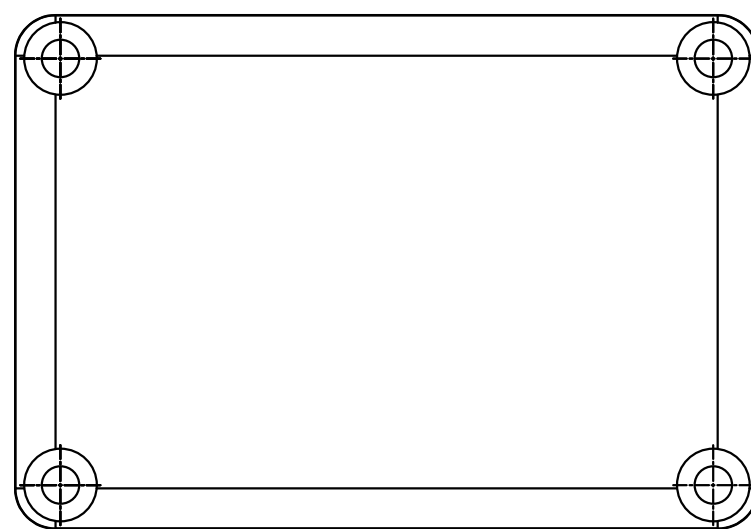
FAX: 847-932-4701



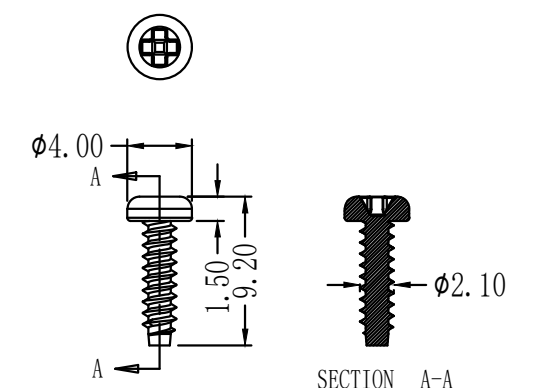
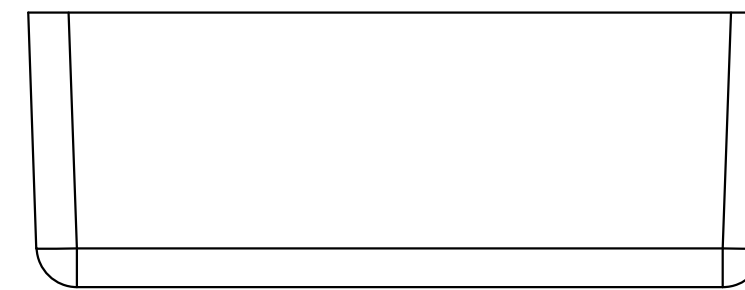
SECTION B-B



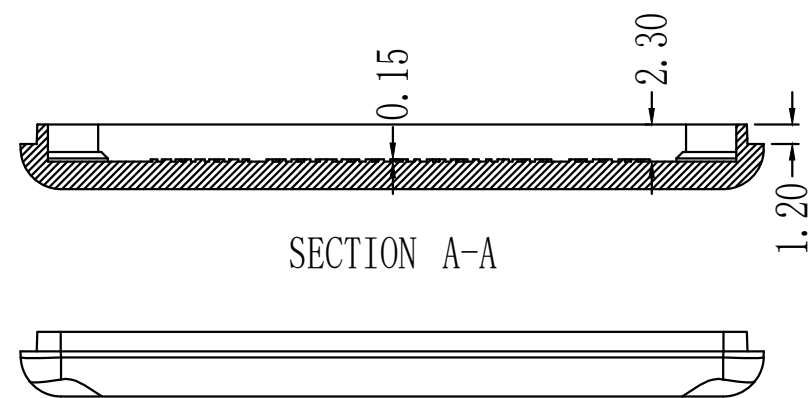
SECTION B-B



SECTION A-A



SECTION A-A



SECTION A-A



ENCLOSURES & ASSEMBLY SERVICES

Title BMC-207 Master Drawing

Material: ABS

Finish:

Proj.

TOLERANCE
all dimension in mm
unless otherwise specified.

x ±0.20
.x ±0.10
.xx ±0.05
ANGLE ±0.5°

Dwg. No.:

Color:

Qty:

Sheet of

Revision:

Model:

Part No.:

Drn. Date
18/1/2010 HUA

Chk. Date

App. Date

THIS DRAWING IS THE PROPERTY OF AND MAY EMBODY PROPRIETARY INFORMATION OWNED BY Box Enclosures Inc. IT IS PROVIDED UNDER A CONFIDENTIAL RELATIONSHIP FOR A SPECIFIC PURPOSE. THE RECIPIENT AGREES TO USE IT ONLY FOR SUCH PURPOSE AND RETURN IT TO Box Enclosure UPON REQUEST.