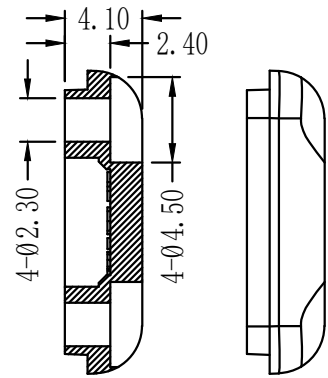
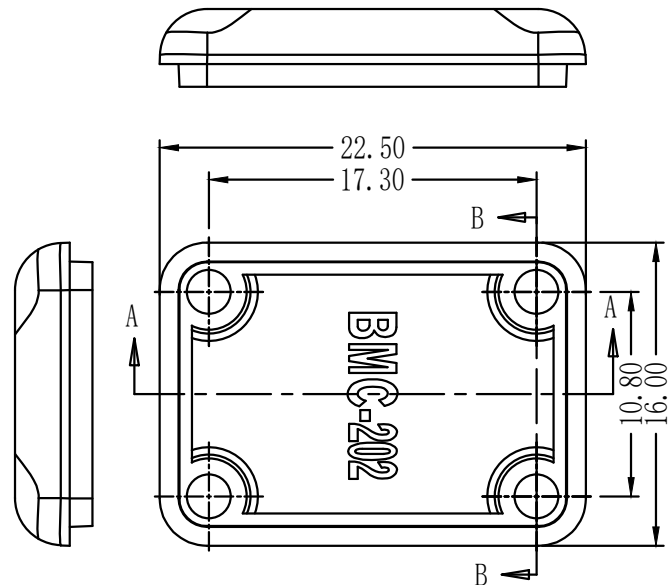
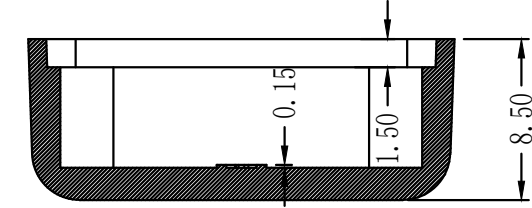


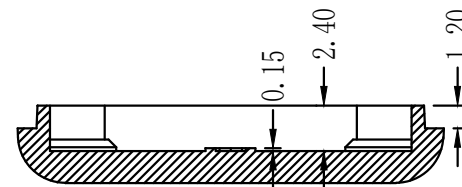
SECTION B-B



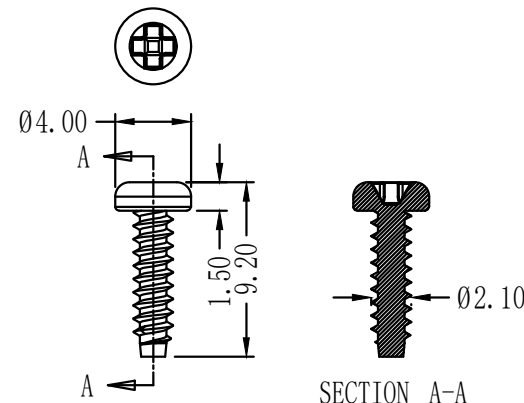
SECTION B-B



SECTION A-A



SECTION A-A



SECTION A-A



Title		BMC-202 Master Drawing		Revision:	
Material:		ABS		Model:	
Finish:		TOLERANCE all dimension in mm unless otherwise specified.		Dwg. No.:	
Proj:		Color:		Part No.:	
Proj:		Qty:		Drn. Date	
Proj:		Sheet of		14/1/2010 HUA	
Proj:		App. Date		Chk. Date	
Proj:		App. Date		Chk. Date	