

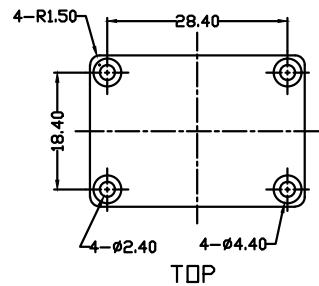
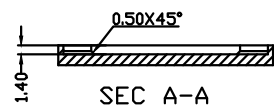
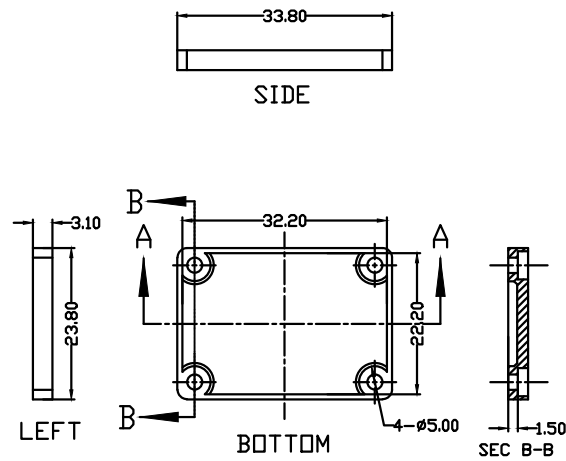


ENCLOSURES & ASSEMBLY SERVICES

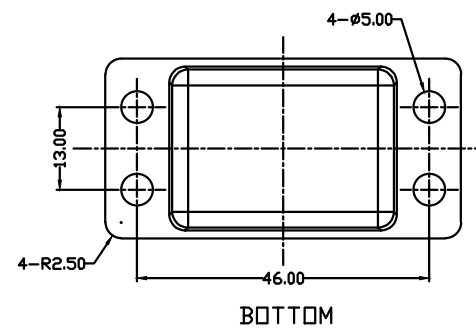
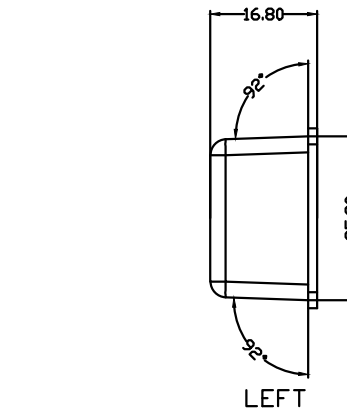
BOX ENCLOSURES, INC

14092 LAMBS LANE
LIBERTYVILLE, IL 60048

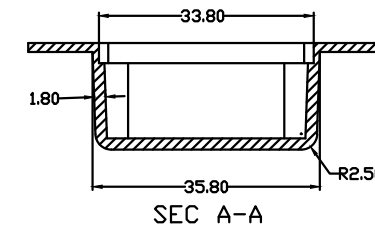
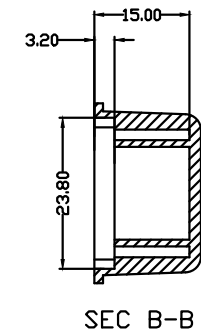
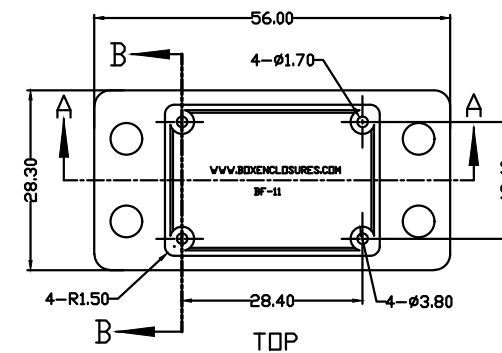
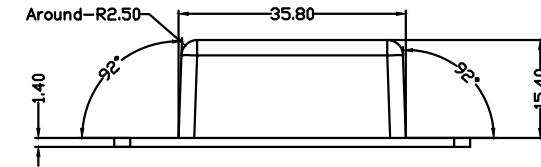
TEL: 847-932-4700 WWW.BOXENCLOSURES.COM FAX: 847-932-4701



ENCLOSURE COVER



ENCLOSURE BODY



<p>ENCLOSURES & ASSEMBLY SERVICES</p>			Revision:	
			Model:	
Title: FLANGE CASE BF-11		Dwg. No.:	Part No.:	
Material: ABS	TOLERANCE all dimension in mm unless otherwise specified. x ± 0.20 .x ± 0.10 .xx ± 0.05 ANGLE $\pm 0.5^\circ$	Color:	Drn. Date	RFK 12/4/2024
Finish:		Qty:	Chk. Date	
Proj.		A3 Sheet 1 of 1	App. Date	

THIS DRAWING IS THE PROPERTY OF AND MAY EMBODY PROPRIETARY INFORMATION OWNED BY Box[®] Enclosures Inc. IT IS PROVIDED UNDER A CONFIDENTIAL RELATIONSHIP FOR A SPECIFIC PURPOSE. THE RECIPIENT AGREES TO USE IT ONLY FOR SUCH PURPOSE AND RETURN IT TO Box[®] Enclosure Inc. UPON REQUEST.