

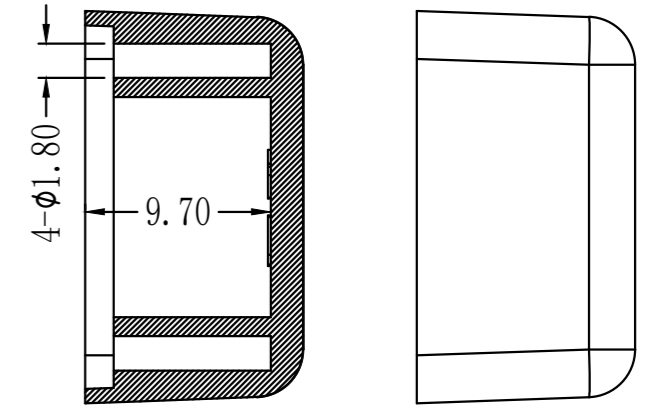
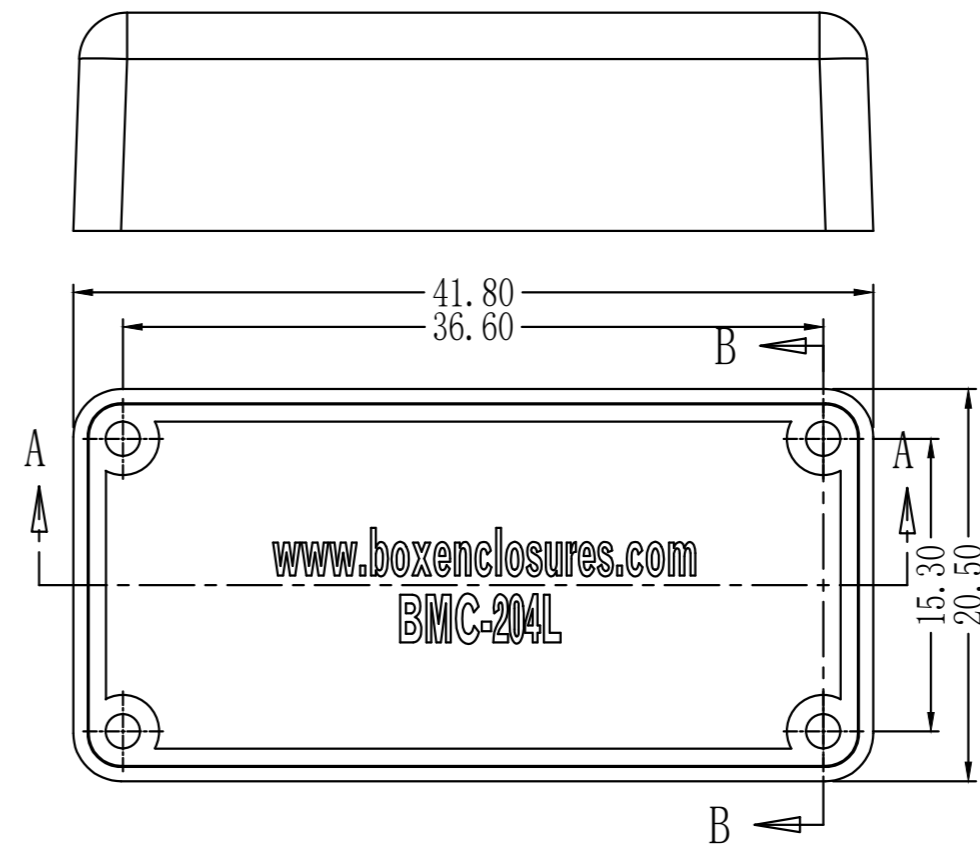
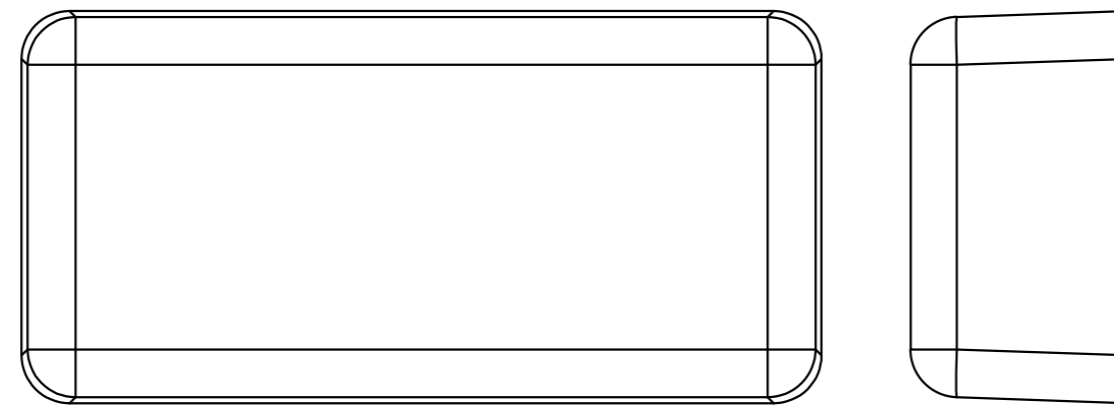
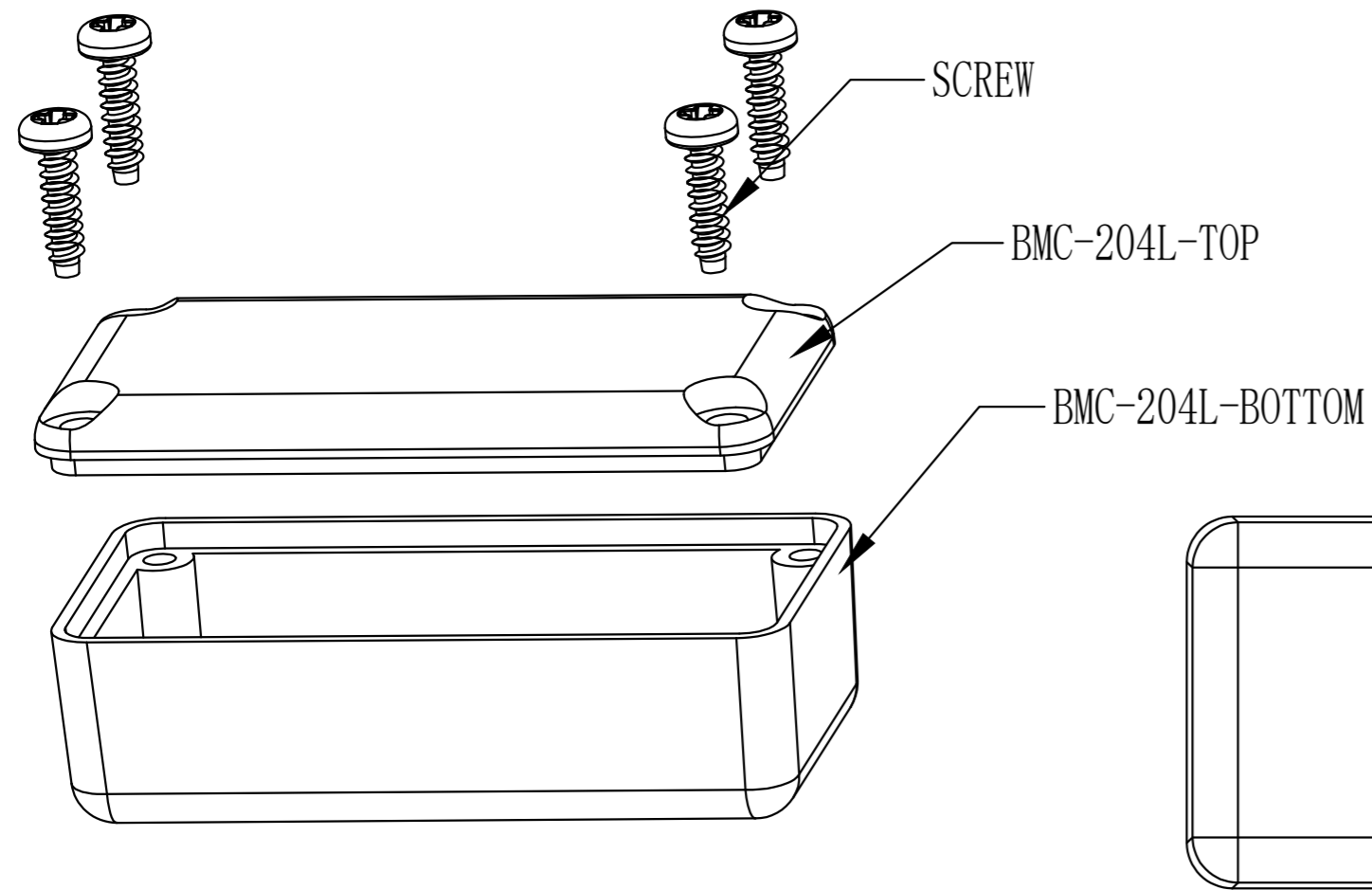


ENCLOSURES & ASSEMBLY SERVICES

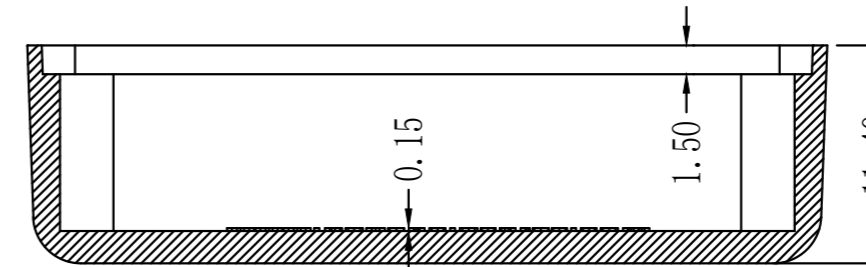
BOX ENCLOSURES, INC  
14092 LAMBS LANE  
LIBERTYVILLE, IL 60048

TEL: 847-932-4700 WWW.BOXENCLOSURES.COM

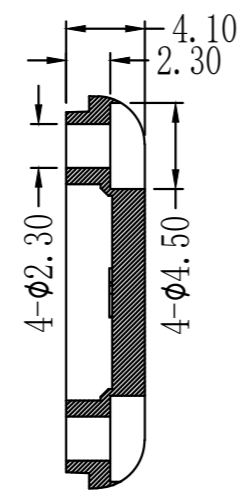
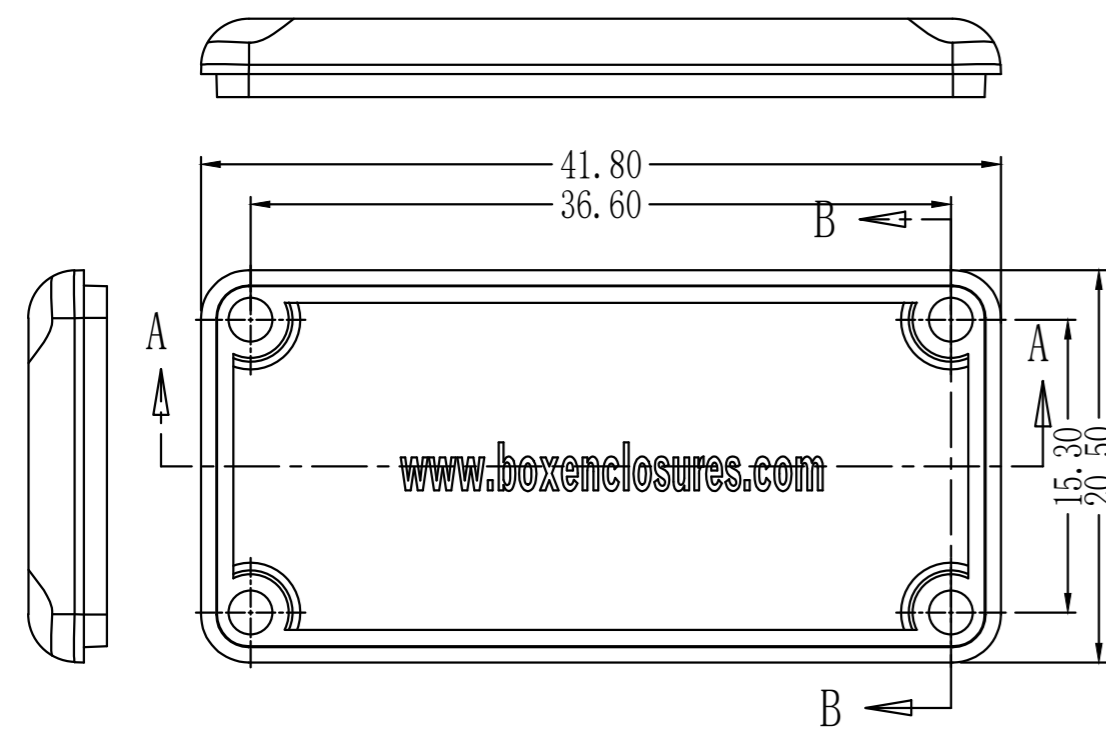
FAX: 847-932-4701



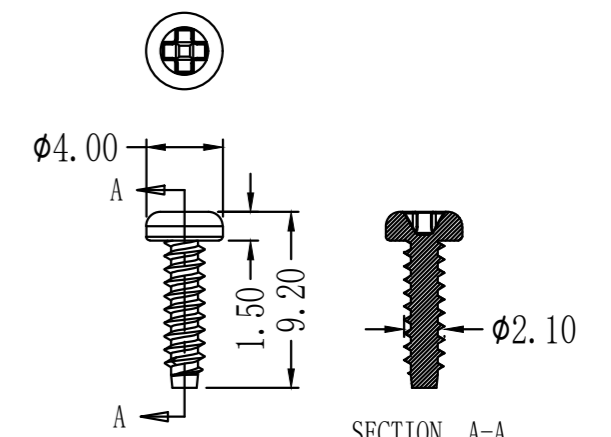
SECTION B-B



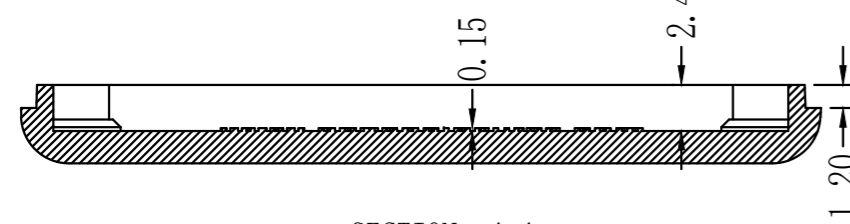
SECTION A-A



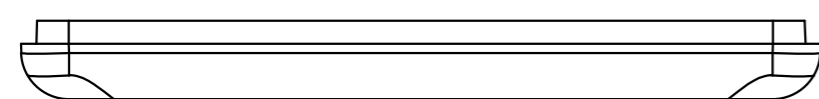
SECTION B-B



SECTION A-A



SECTION A-A



Title		BMC-204L Master Drawing		Revision:	
Material: ABS		TOLERANCE all dimension in mm unless otherwise specified.		Model:	
Finish:		Color:		Part No.:	
Proj:		Qty:		Drn. Date 18/1/2010 HUA	
		Sheet of		Chk. Date	
				App. Date	

THIS DRAWING IS THE PROPERTY OF AND MAY EMBODY PROPRIETARY INFORMATION OWNED BY Box Enclosures Inc. IT IS PROVIDED UNDER A CONFIDENTIAL RELATIONSHIP FOR A SPECIFIC PURPOSE. THE RECIPIENT AGREES TO USE IT ONLY FOR SUCH PURPOSE AND RETURN IT TO Box Enclosure UPON REQUEST.