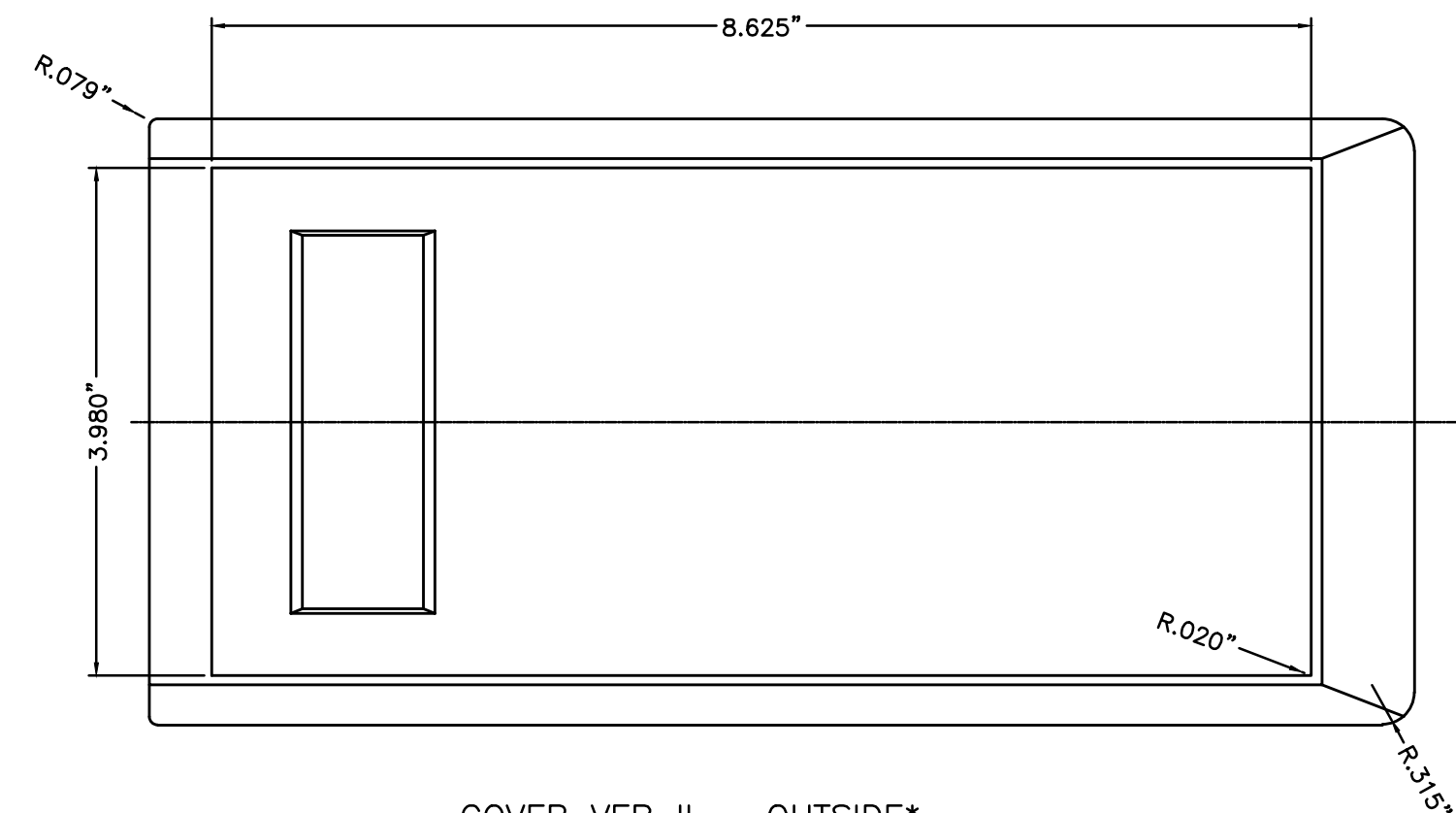
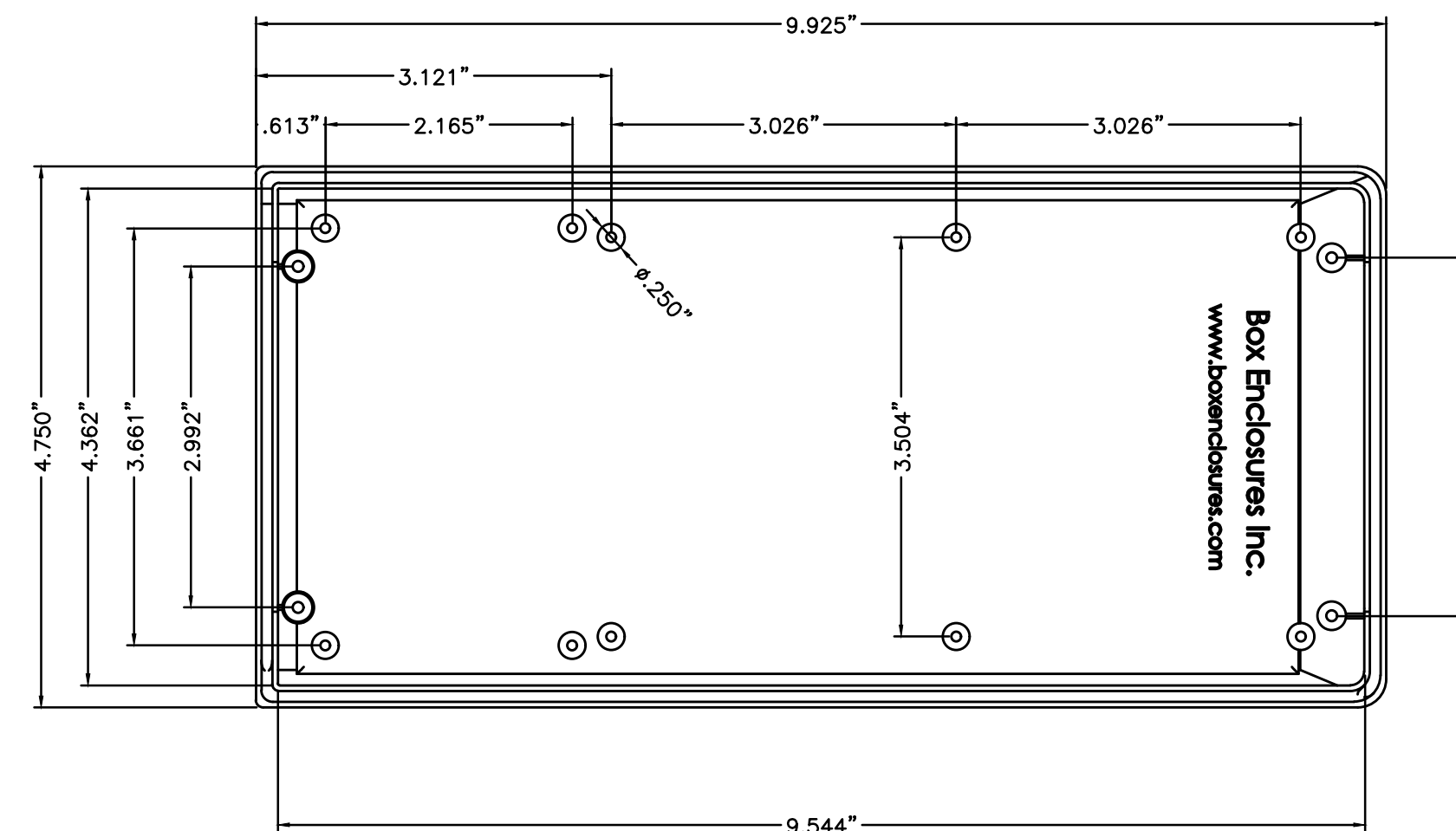


COVER VER I - OUTSIDE*

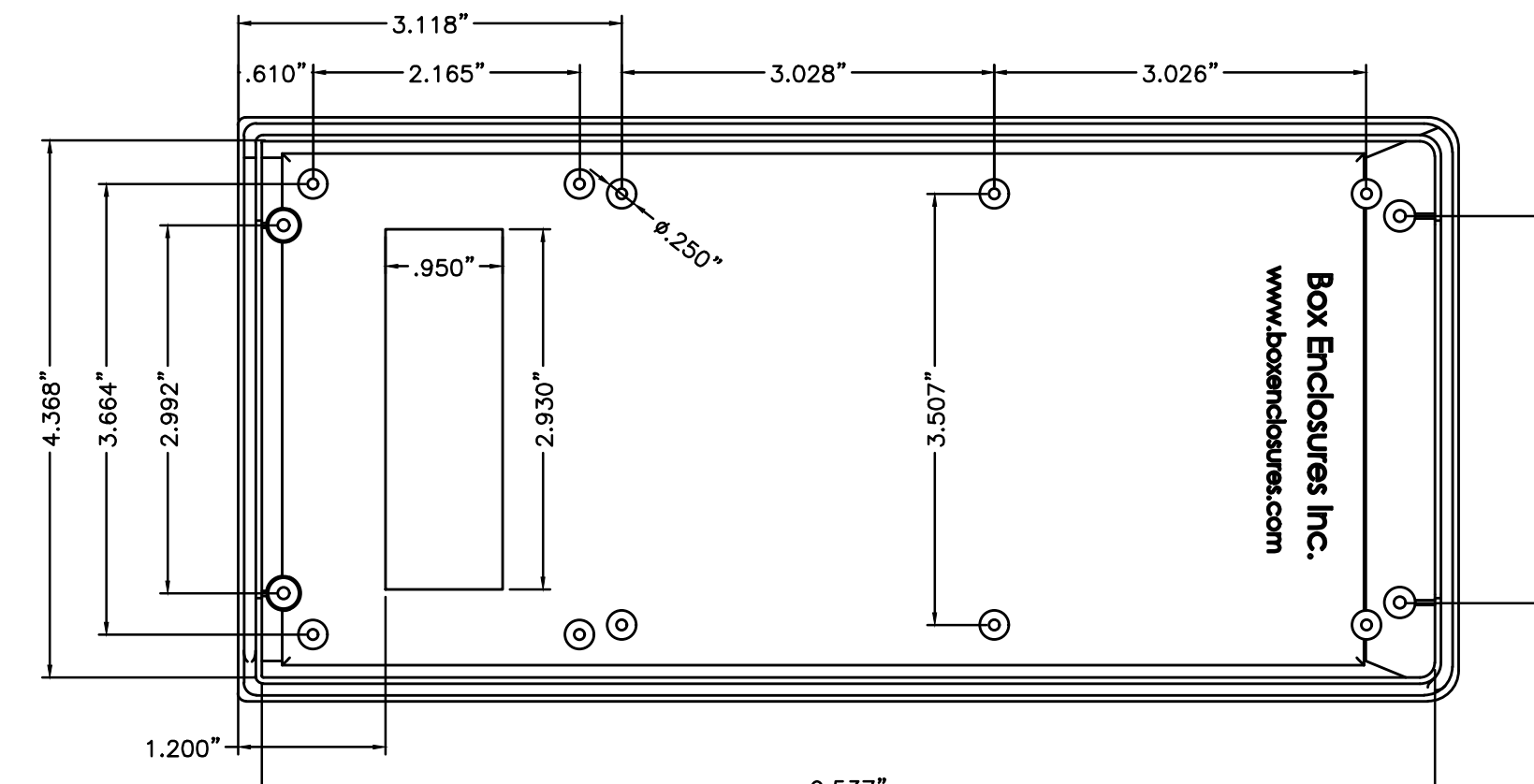
Changeable Insert Area
 Recessed 2.2mm (.090") Deep



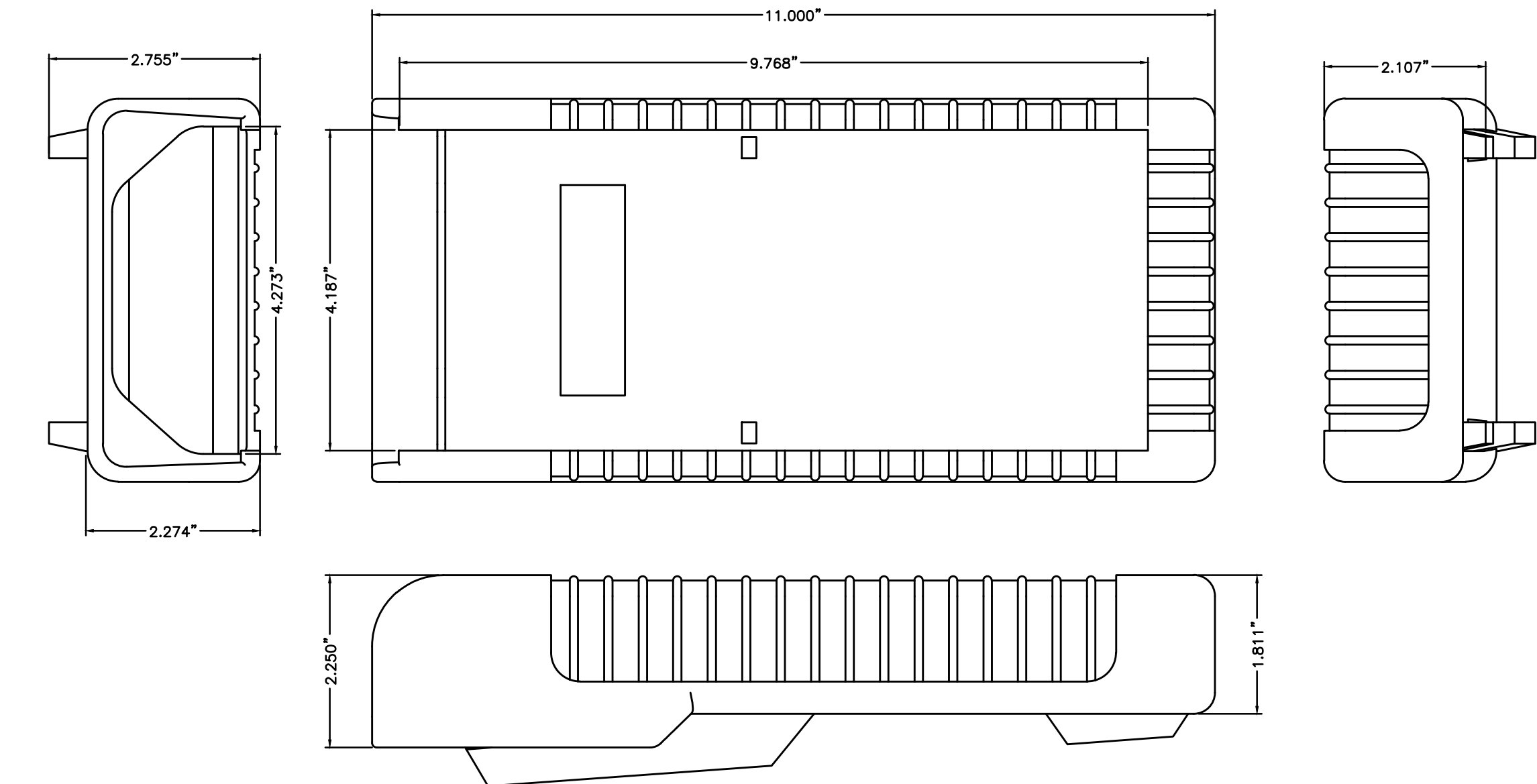
COVER VER II - OUTSIDE*



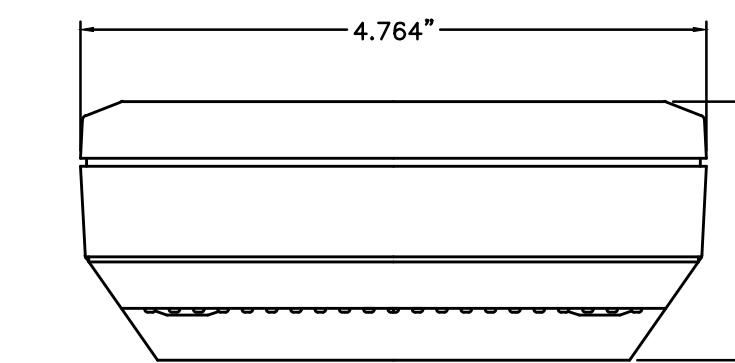
COVER VER I - INSIDE*



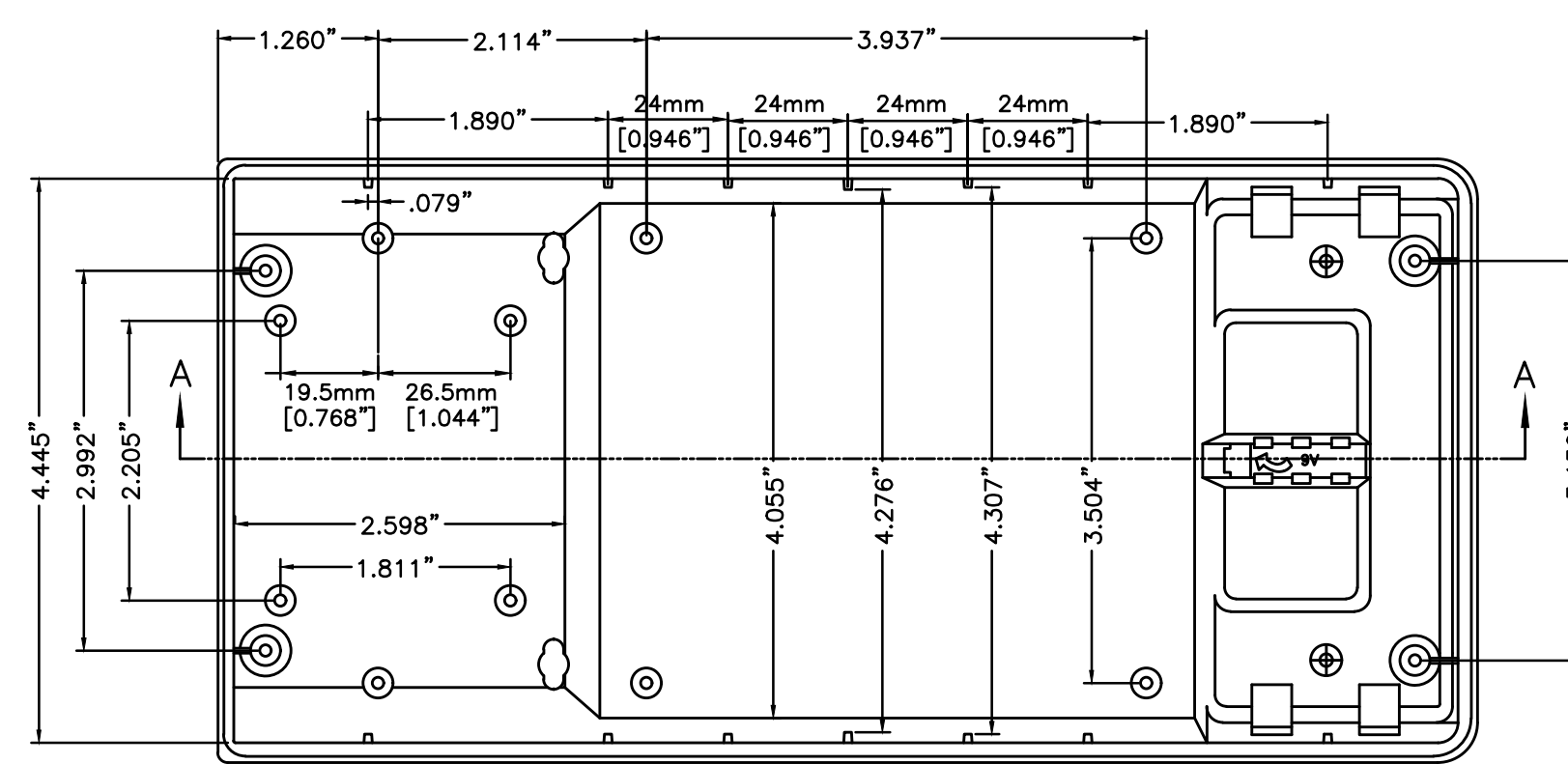
COVER VER II - INSIDE*



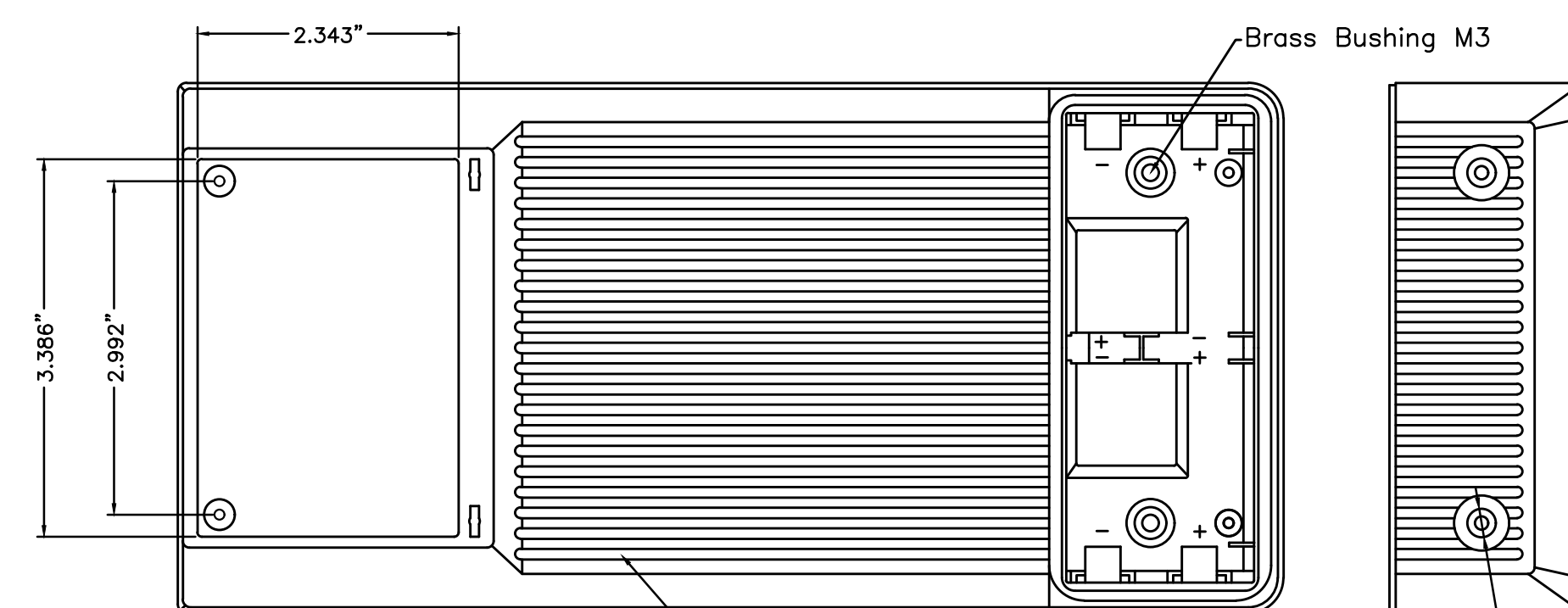
OPTIONAL RUBBER BOOT



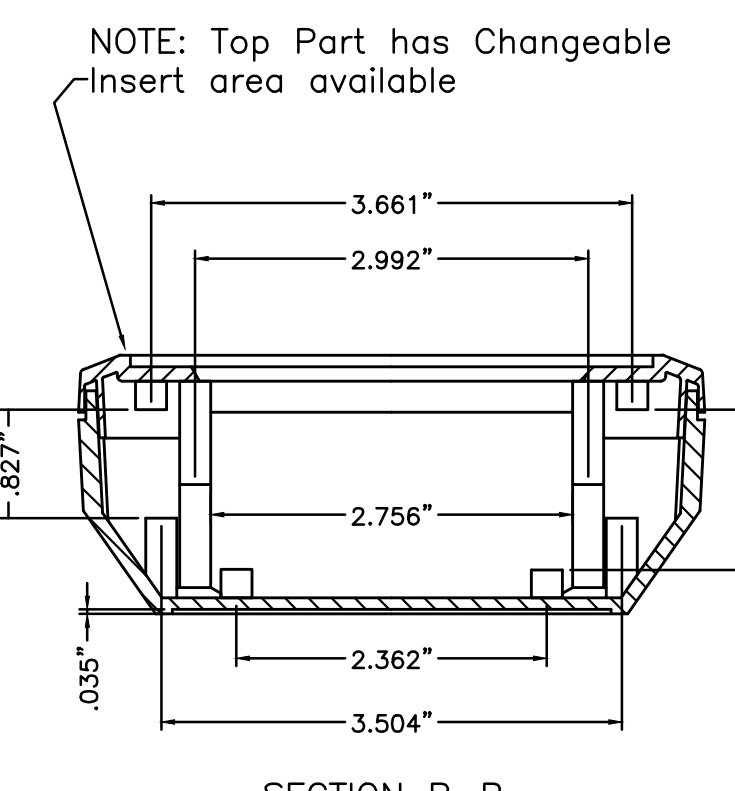
END VIEW



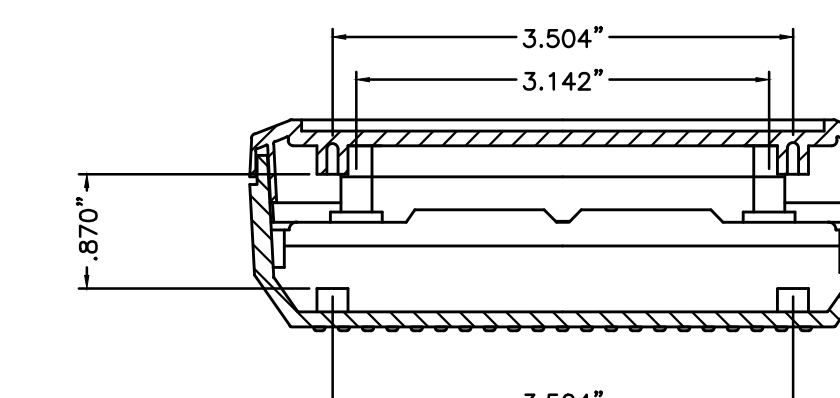
BOTTOM - INSIDE



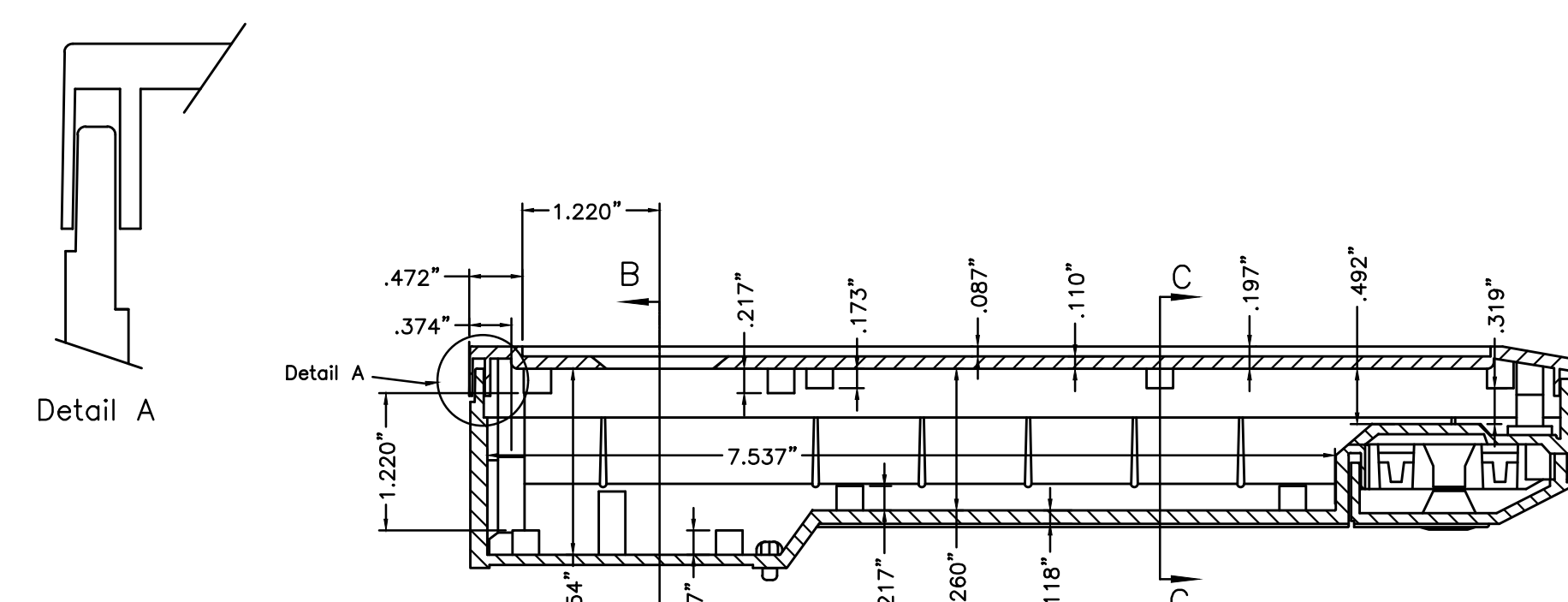
BOTTOM - OUTSIDE



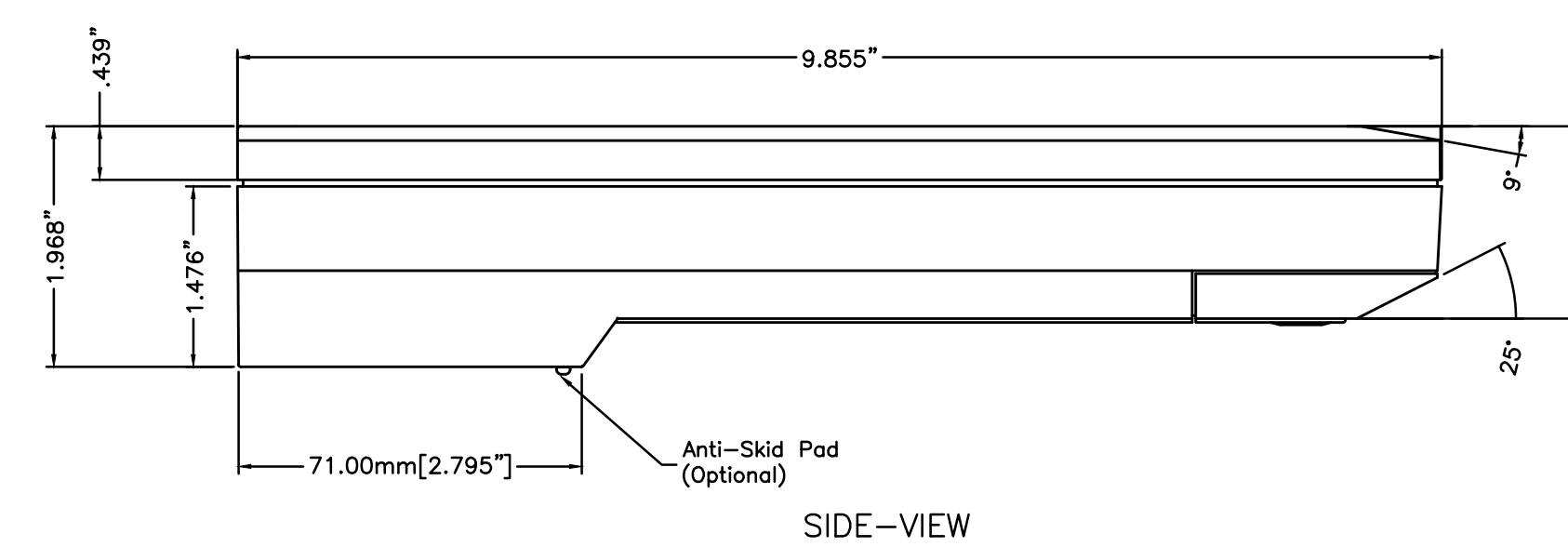
SECTION B-B



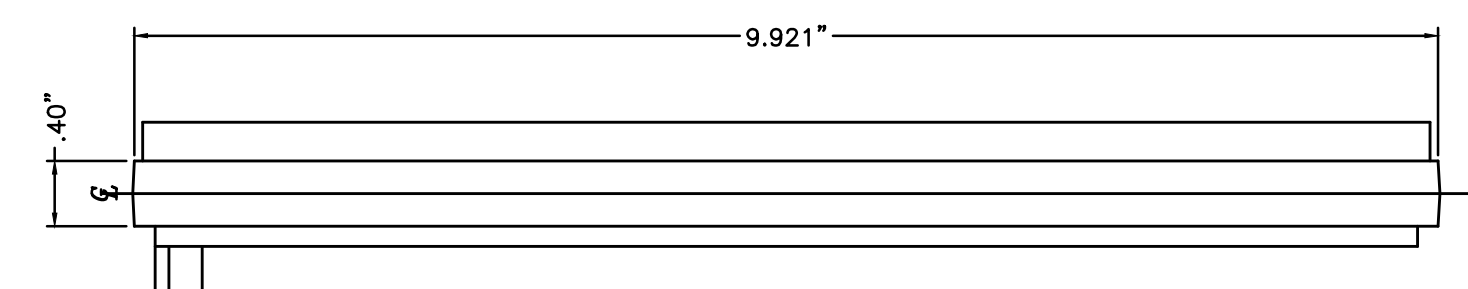
SECTION C-C



SECTION A-A



SIDE-VIEW



OPTIONAL EXPANDER PANEL INCREASES HEIGHT BY 0.40"

NOTE: Top Part has Changeable
 Insert area available

Detail A

BOX ENCLOSURES & ASSEMBLY SERVICES			
Title MBL-Master			
DATE 1/15/25	BOX Part # MBL	Drn. by R.F.K.	
SCALE N.T.S.	SHEET 1 of 1	SHEET SIZE 30" x 42"	REV 19.A