

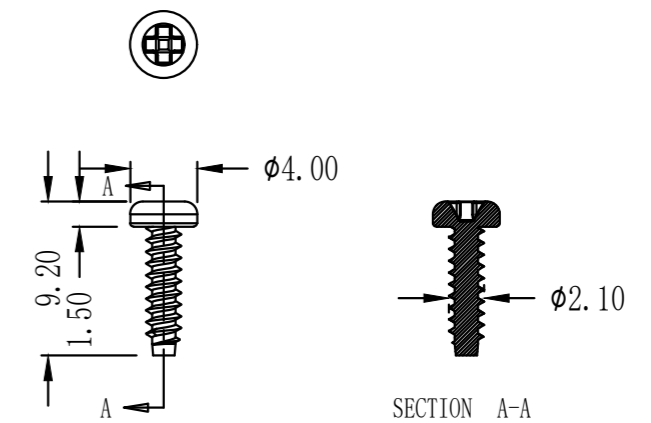
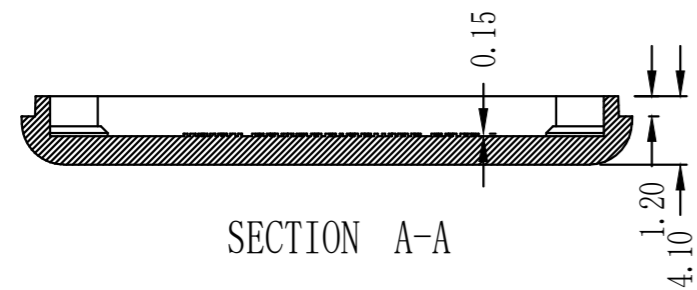
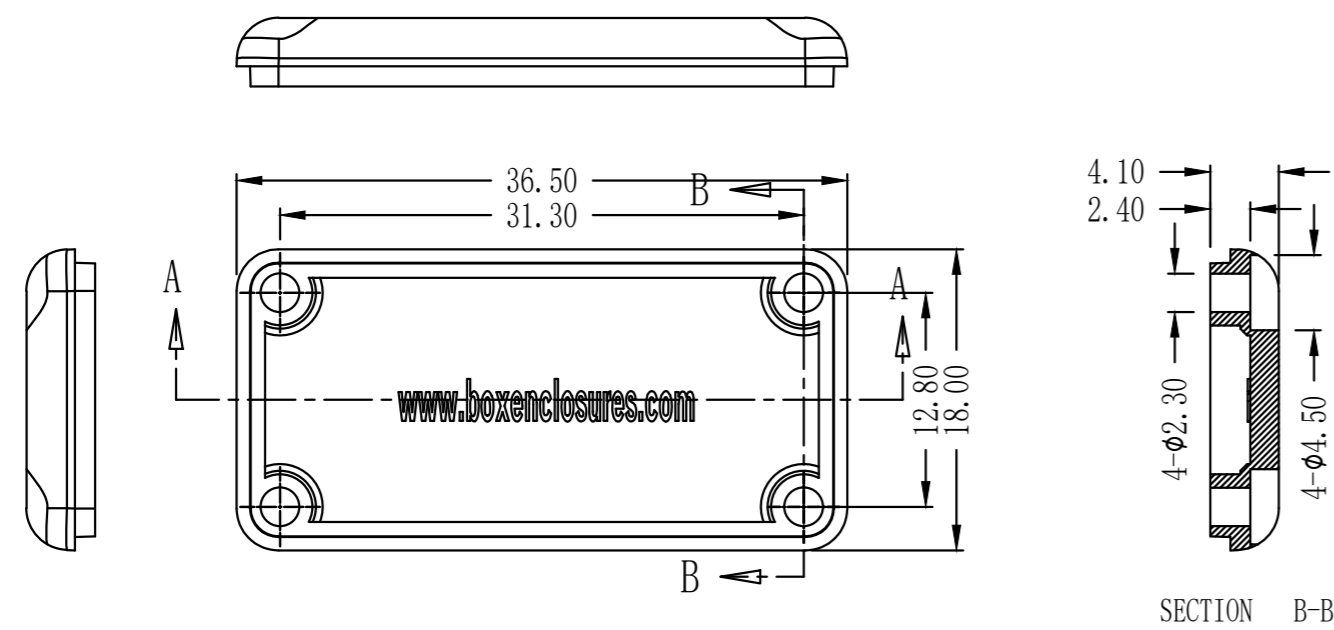
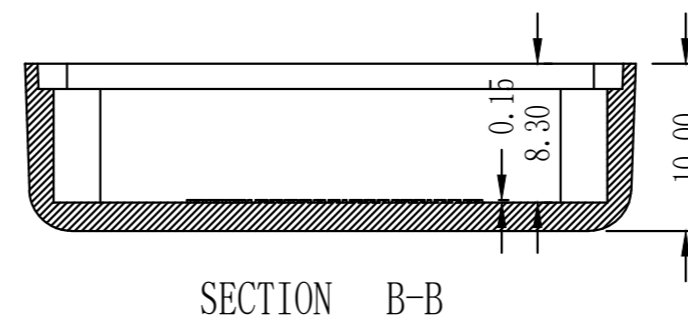
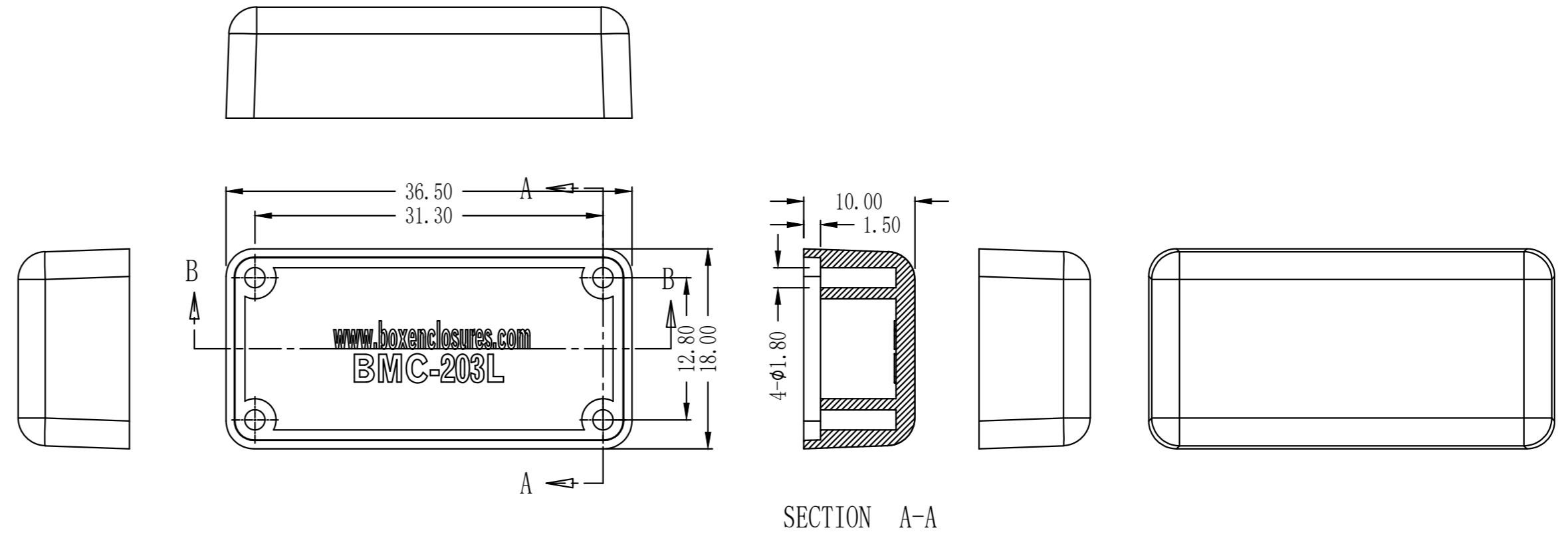
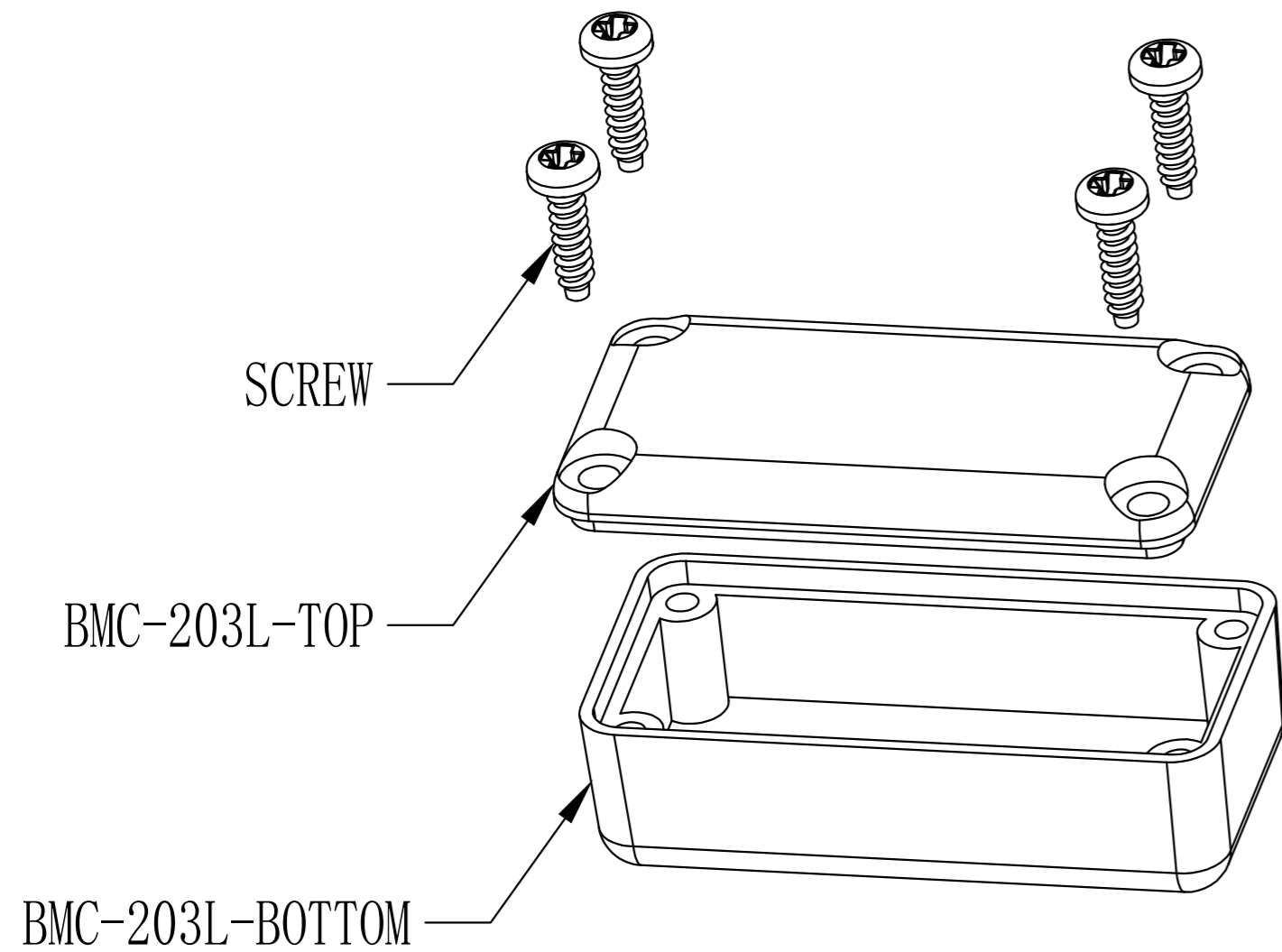


ENCLOSURES & ASSEMBLY SERVICES

BOX ENCLOSURES, INC  
14092 LAMBS LANE  
LIBERTYVILLE, IL 60048

TEL: 847-932-4700 WWW.BOXENCLOSURES.COM

FAX: 847-932-4701



THIS DRAWING IS THE PROPERTY OF AND MAY EMBODY PROPRIETARY INFORMATION OWNED BY Box Enclosures Inc. IT IS PROVIDED UNDER A CONFIDENTIAL RELATIONSHIP FOR A SPECIFIC PURPOSE. THE RECIPIENT AGREES TO USE IT ONLY FOR SUCH PURPOSE AND RETURN IT TO Box Enclosure UPON REQUEST.

<p>ENCLOSURES &amp; ASSEMBLY SERVICES</p>		Revision:	
		Model:	
Title: BMC-203L Master Drawing		Dwg. No.:	Part No.:
Material: ABS	TOLERANCE all dimension in mm unless otherwise specified. x $\pm$ 0.20 .x $\pm$ 0.10 .xx $\pm$ 0.05 ANGLE $\pm$ 0.5°	Color:	Drn. Date 11/1/2010 HUA
Finish:		Qty:	Chk. Date
Proj.		Sheet of	App. Date