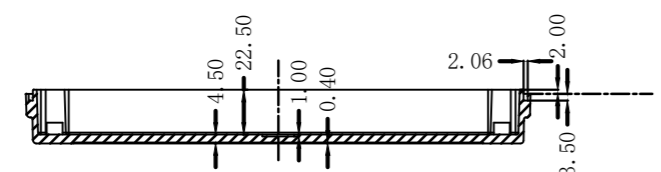
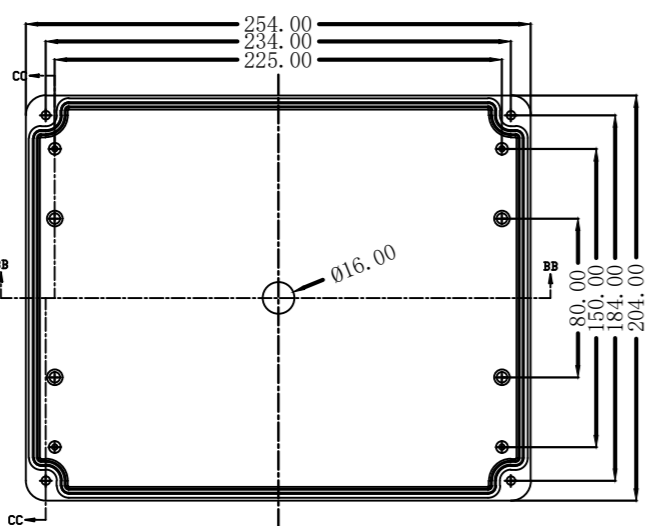
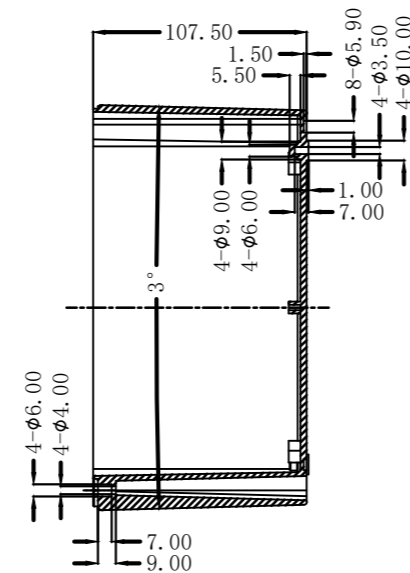


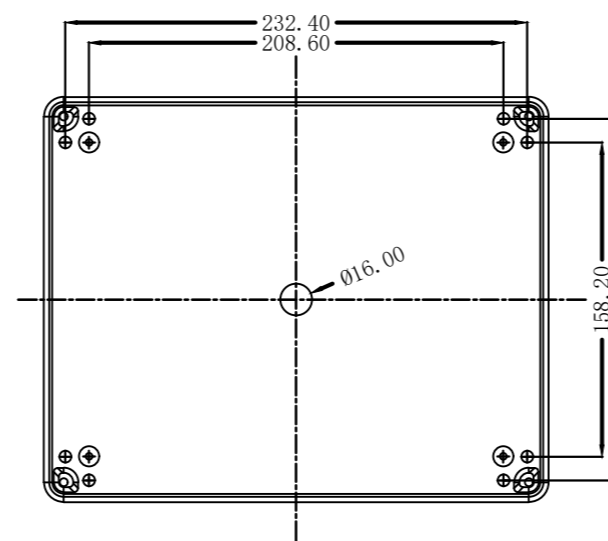
SECTION BB-BB



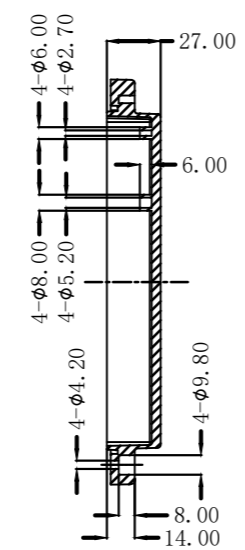
SECTION BB-BB



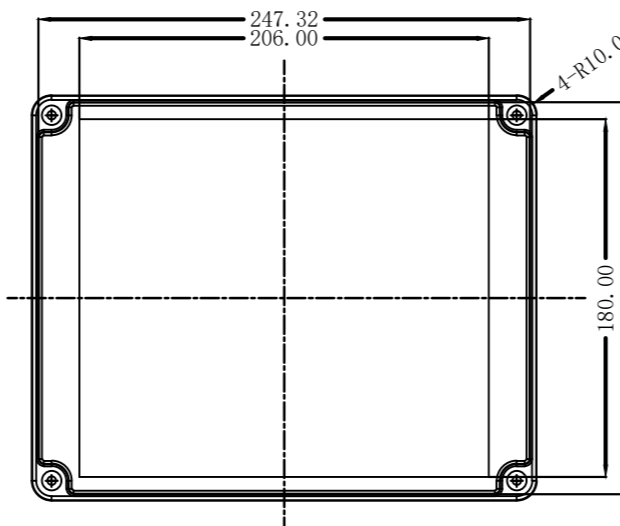
SECTION AA-AA



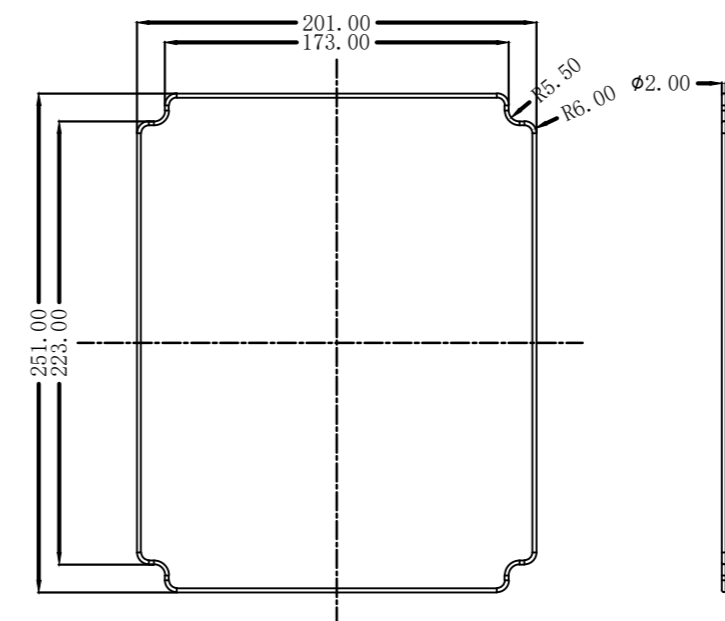
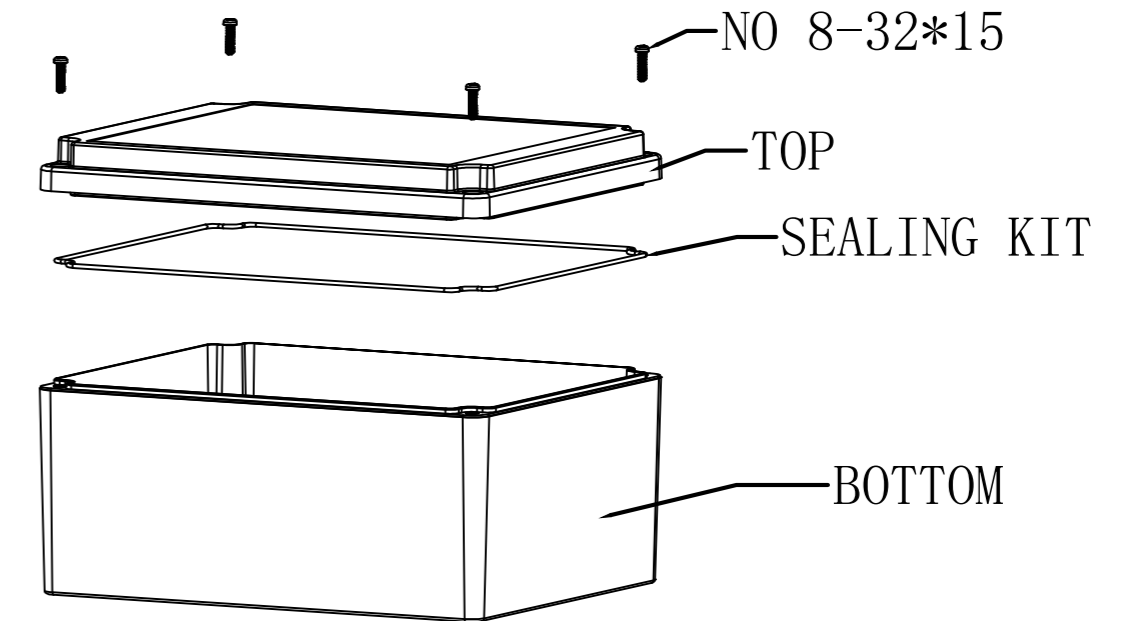
BEN-92-BOTTOM



SECTION CC-CC



BEN-92-TOP



BEN-92 SEALING KIT

Part Number	Top Color	Bottom Color
BEN-92P	Grey	Grey
BEN-92PC	Clear	Grey
BEN-92P-BLK	Black	Black
BEN-92PC-BLK	Clear	Black

Optional Accessory

Wall mount kit, pack of 4, color grey. Part # BEN-WM

Material-Polycarbonate, fire retardant UL 94-V2
Sealing Kit-NEMA 4 / IP65, material-Silicone

Title: BEN-92 Master Drawing

Revision: 1.10

Material: Polycarbonate

TOLERANCE
all dimension in mm
unless otherwise specified.

Drn. Date
2008-08-29 HUA

Finish: Polished

× ±0.20
.× ±0.10
.×× ±0.05
ANGLE ±0.5°

Fire rating:
UL 94-V2

Pro. 

Sealing rating:
NEMA4 / IP65