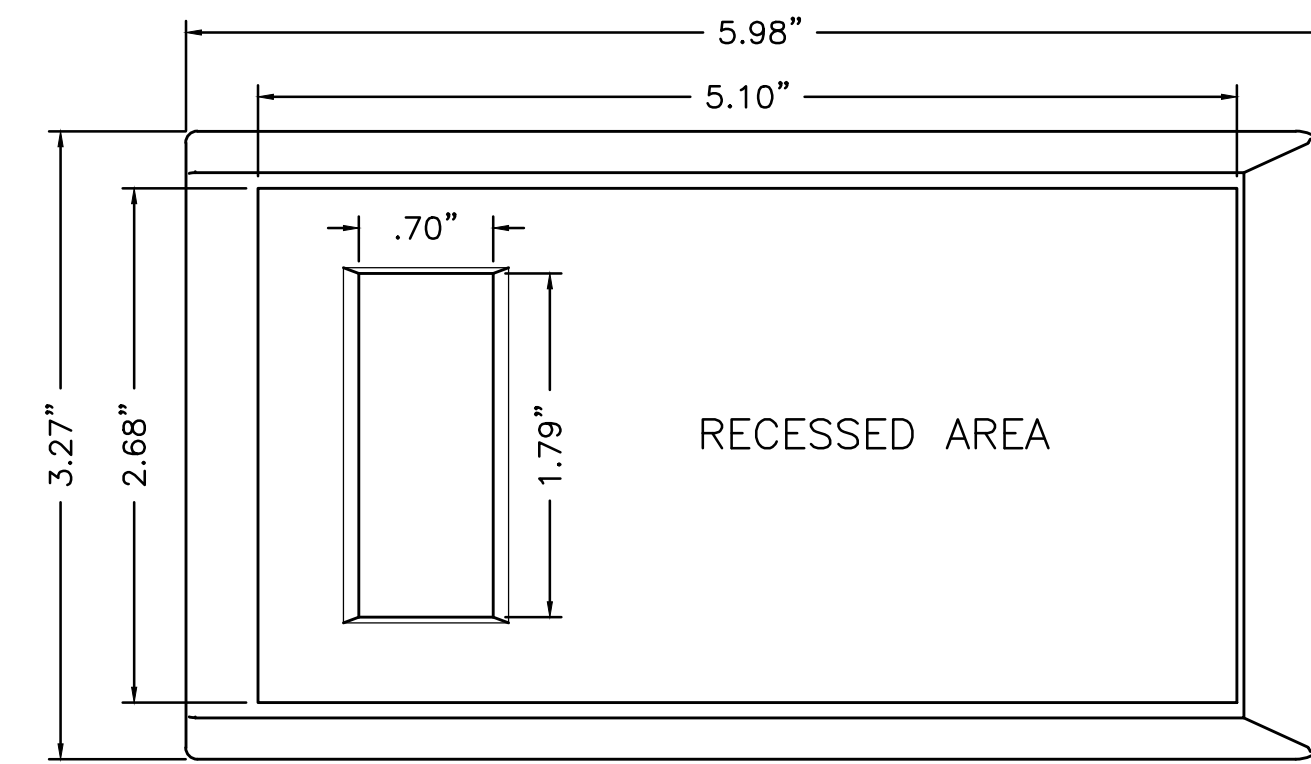
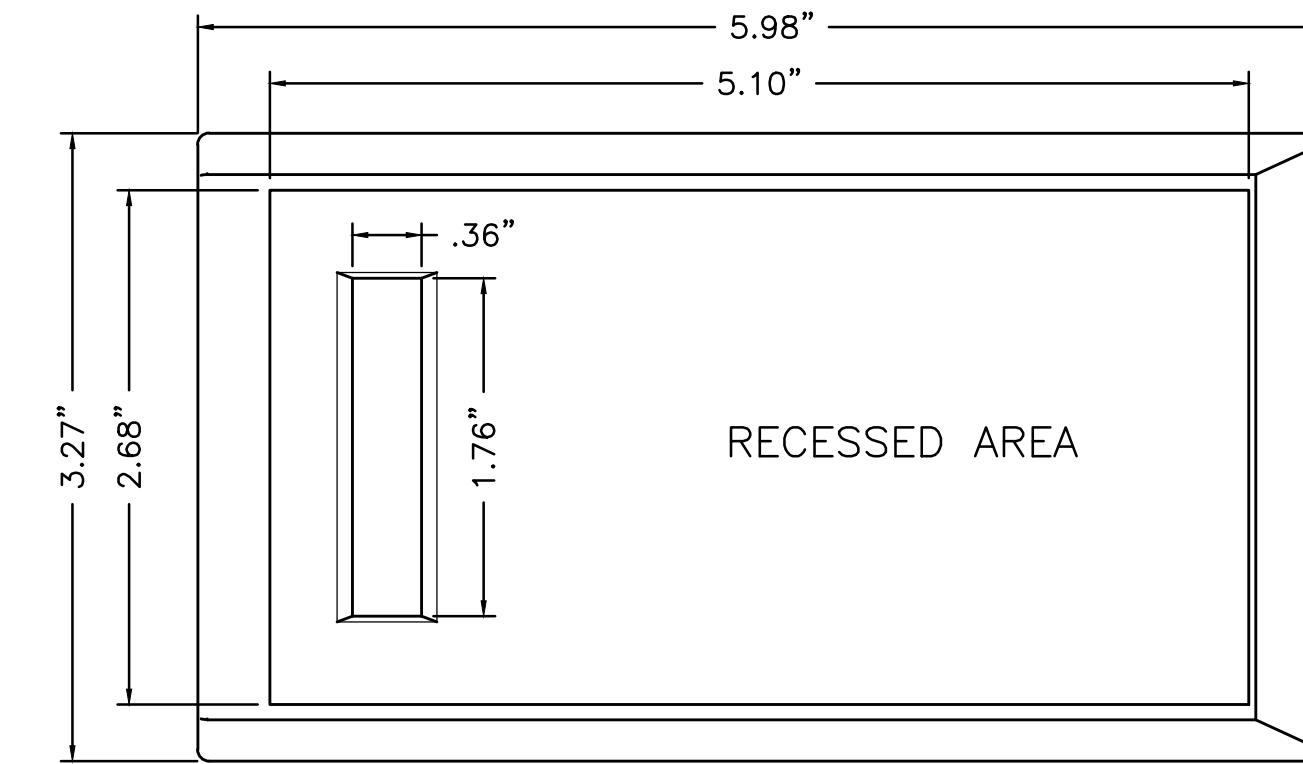


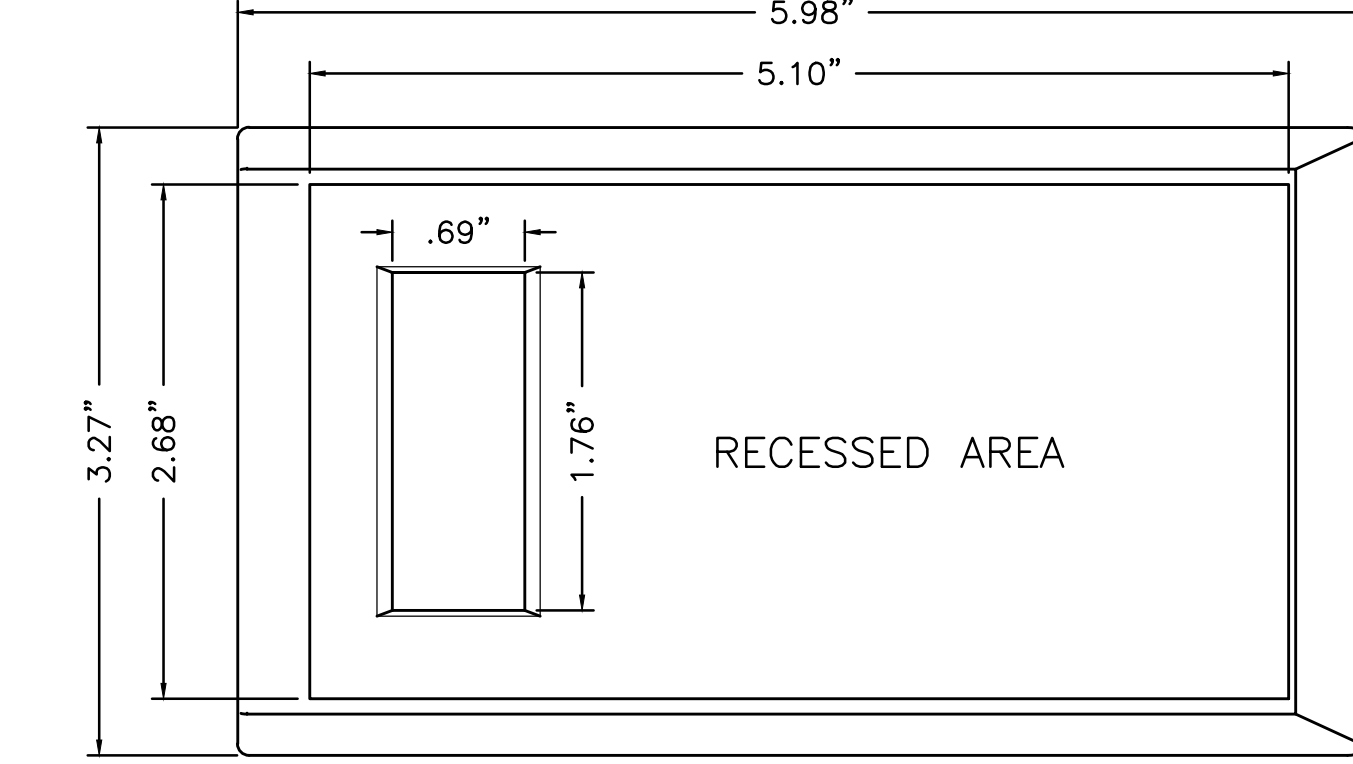
TOP VERSION I OUTSIDE



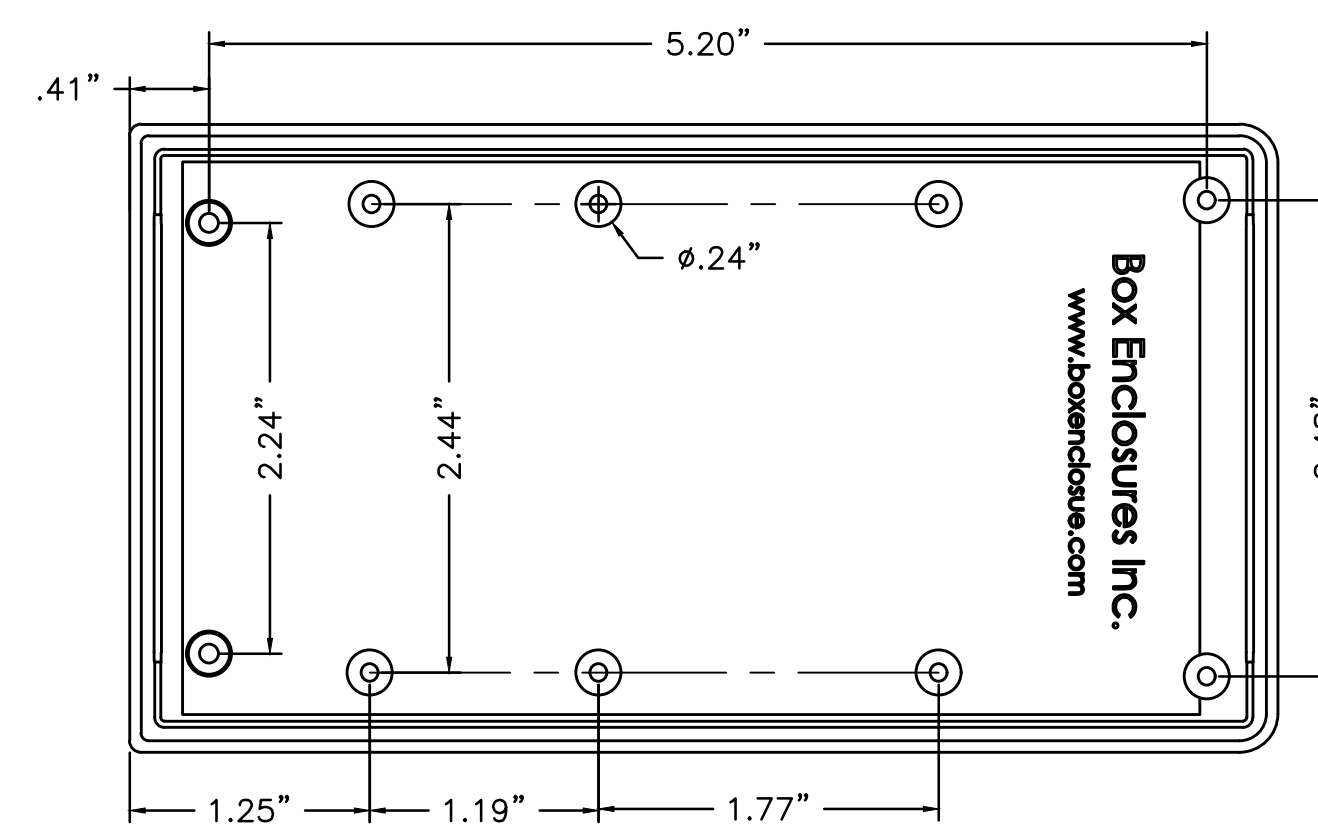
TOP VERSION II OUTSIDE



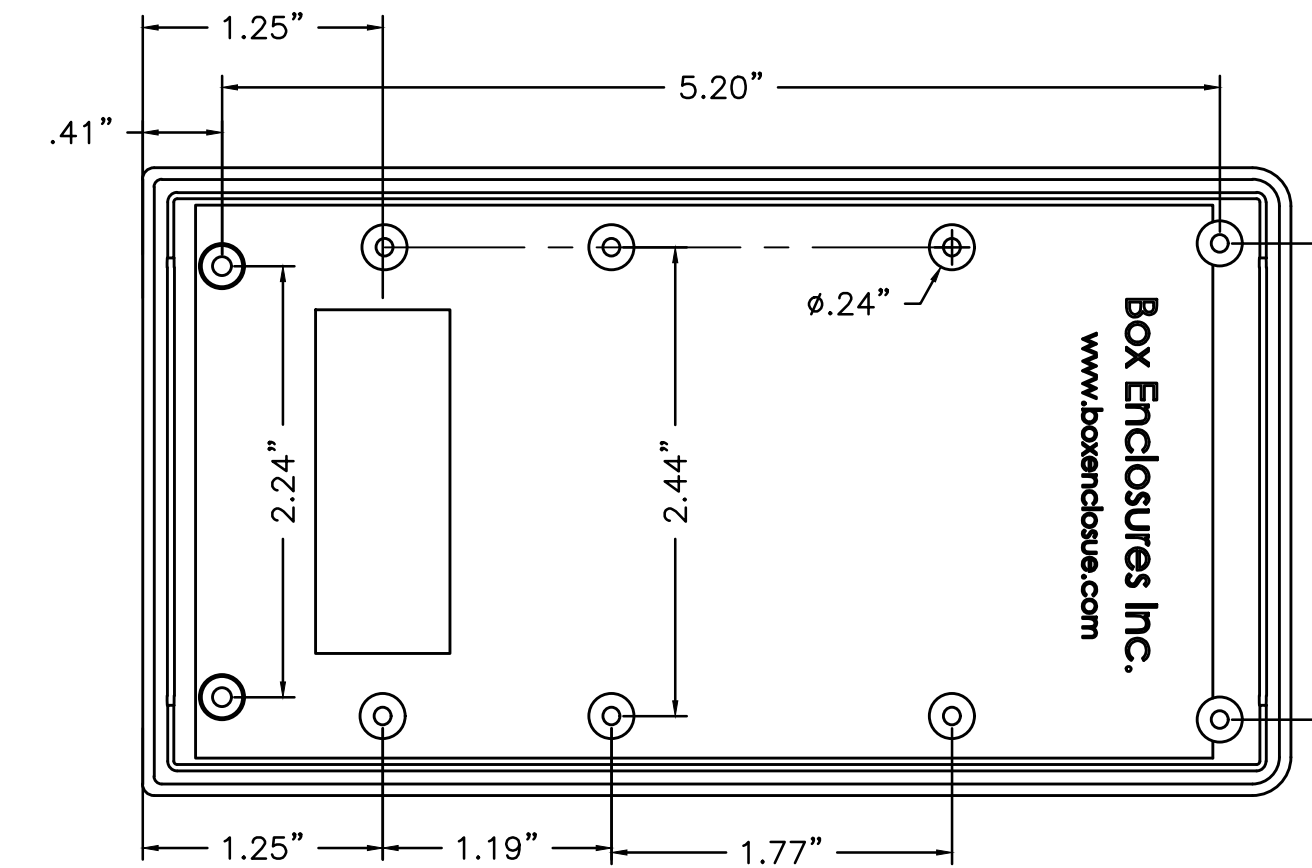
TOP VERSION III OUTSIDE



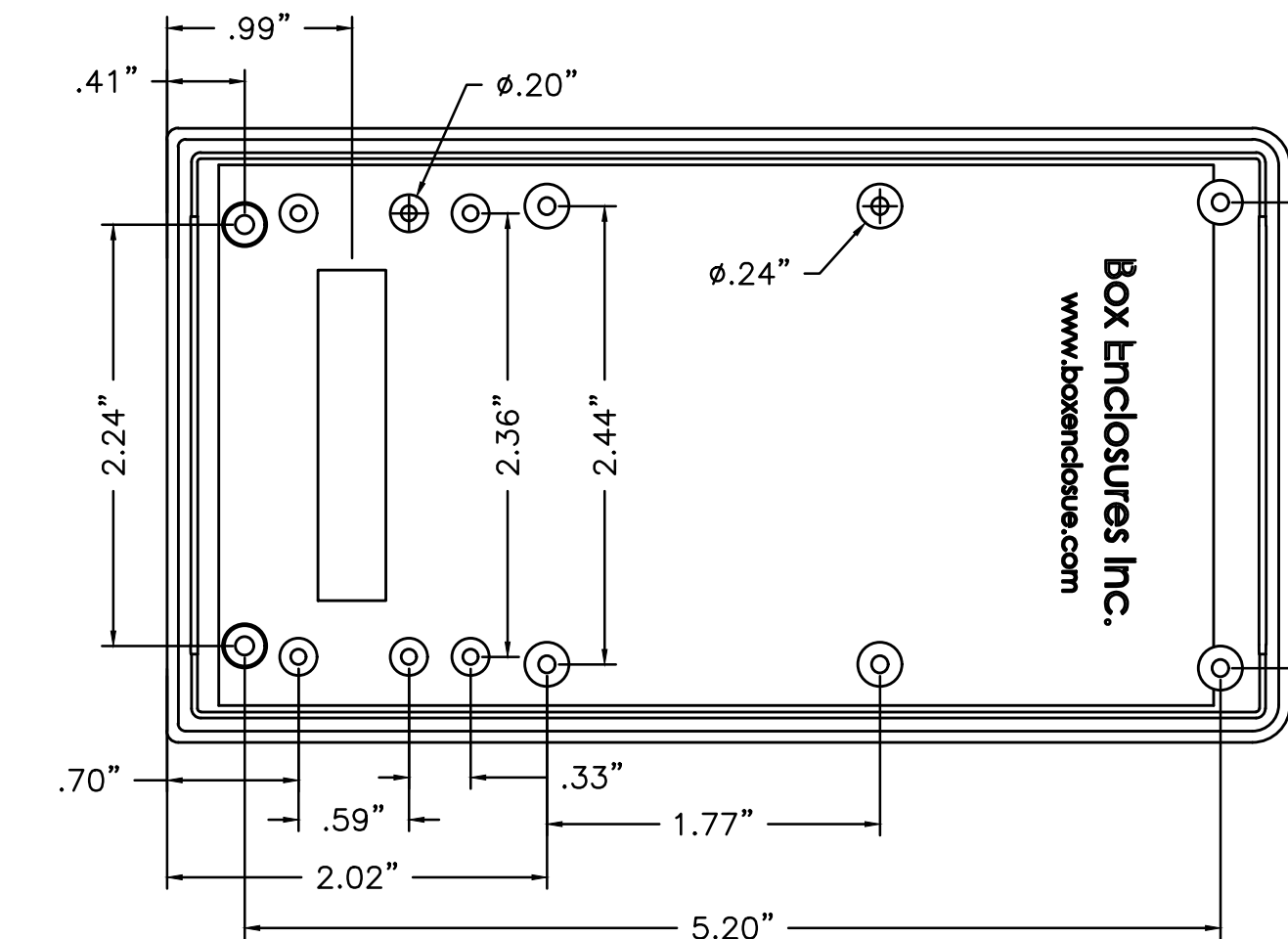
TOP VERSION IV OUTSIDE



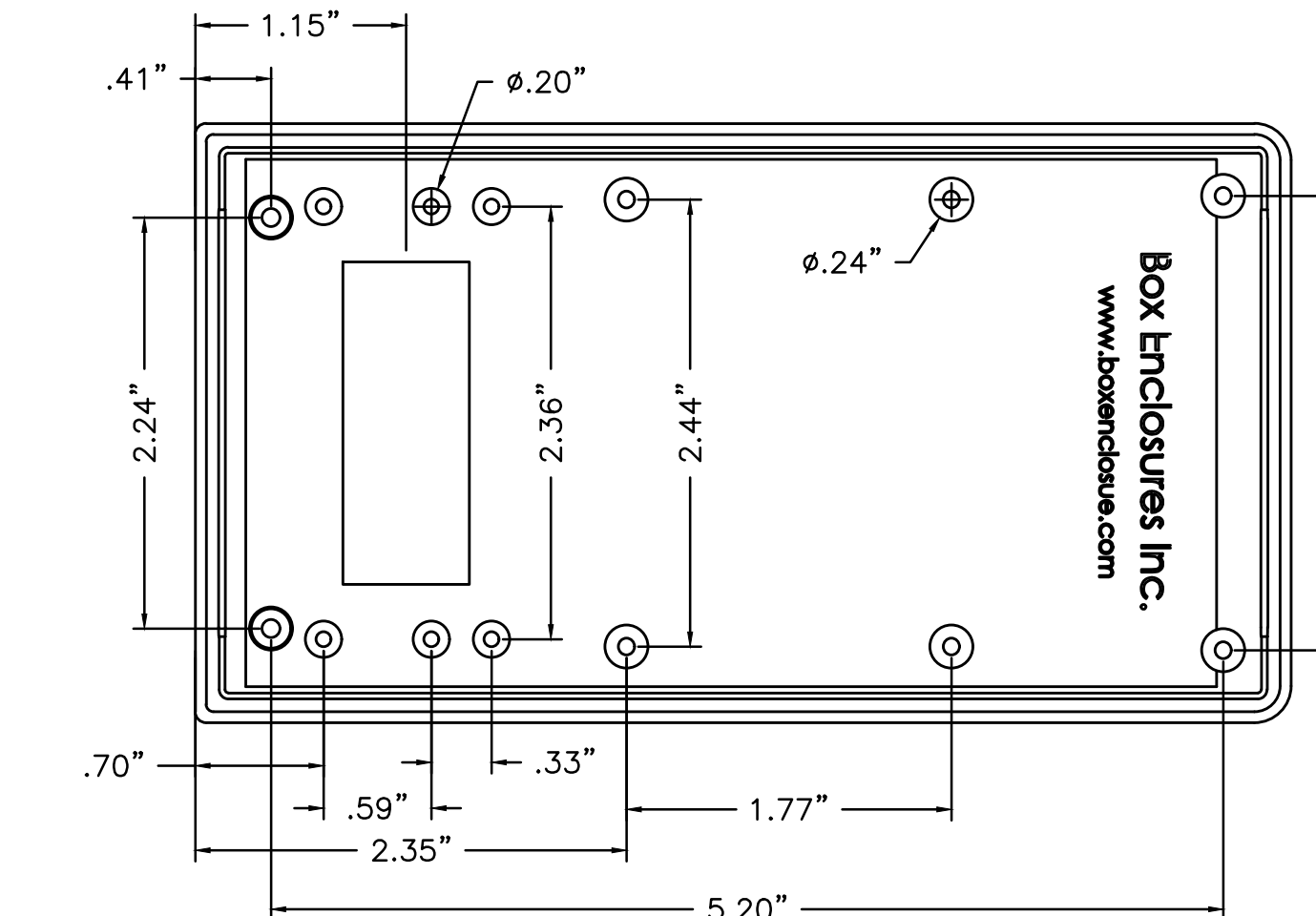
TOP VERSION I INSIDE



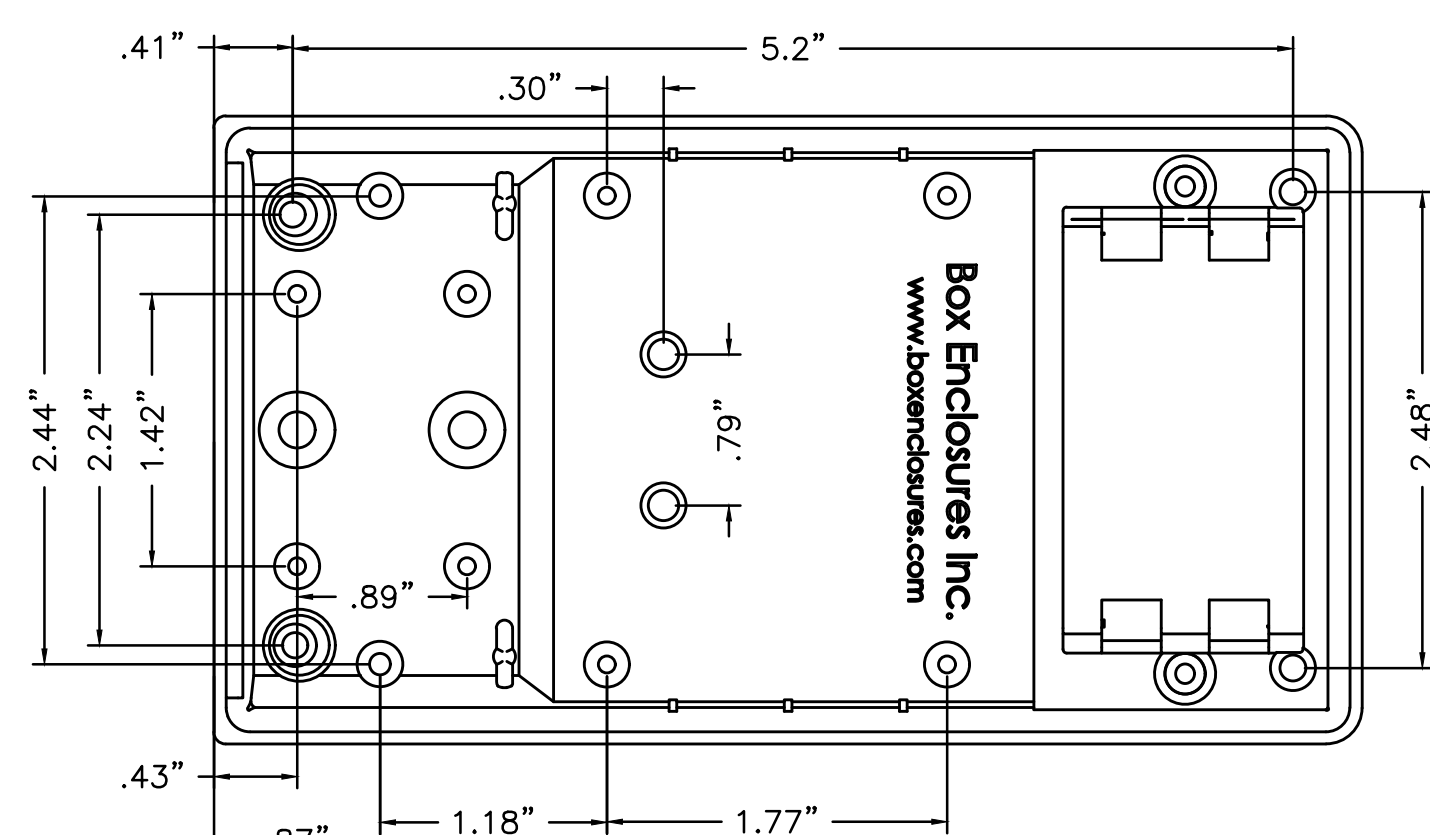
TOP VERSION II INSIDE



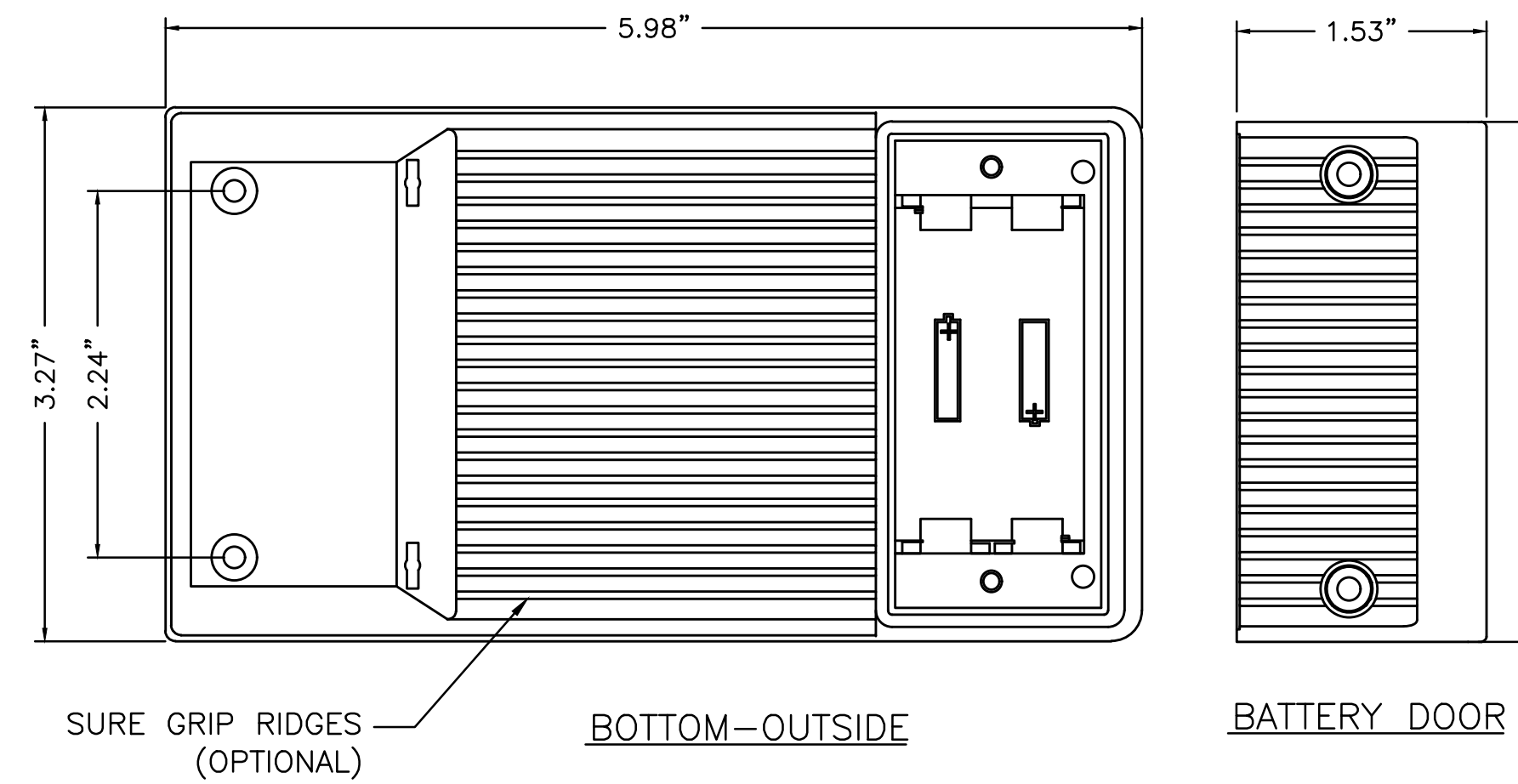
TOP VERSION III INSIDE



TOP VERSION IV INSIDE

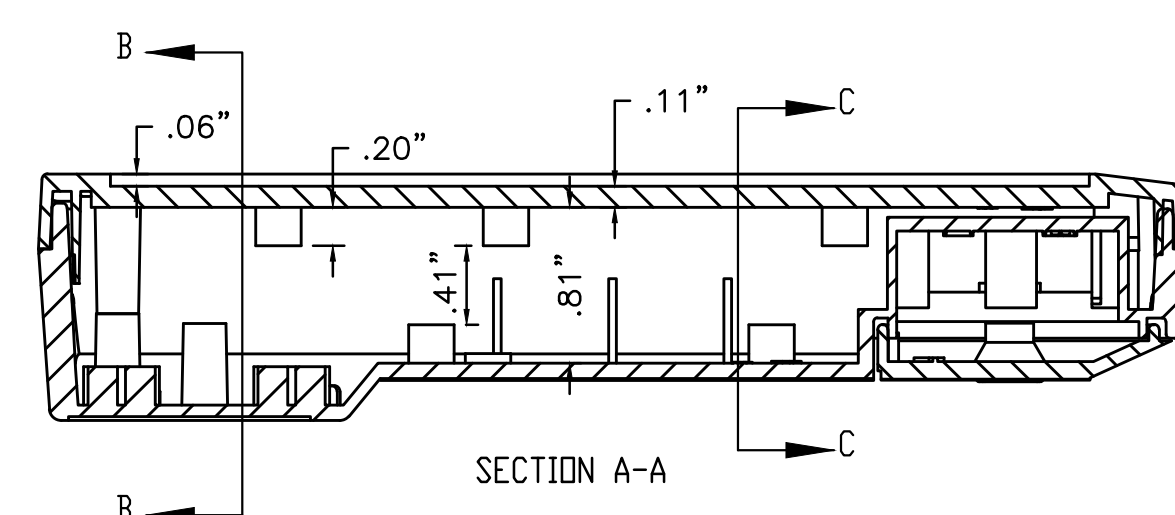


BOTTOM-INSIDE

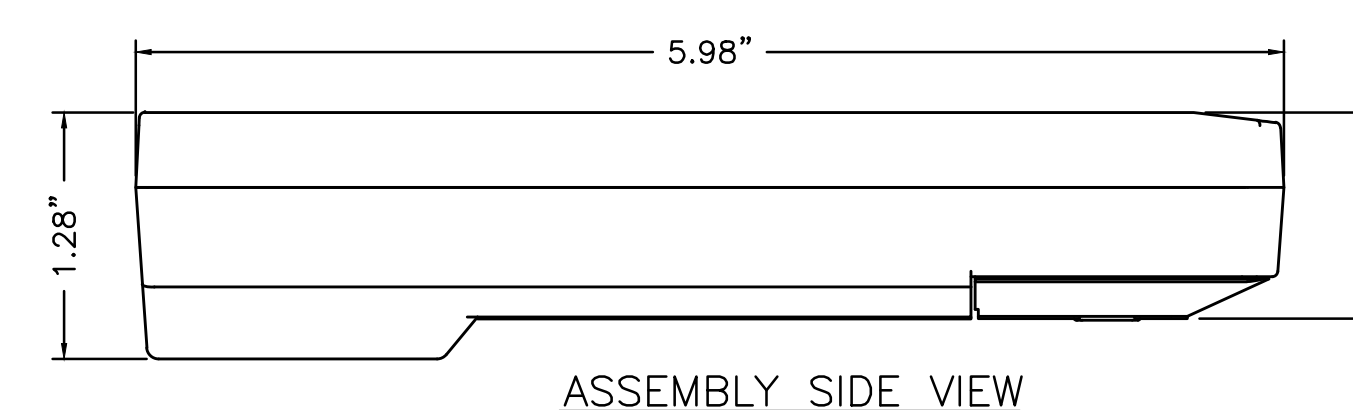


SURE GRIP RIDGES (OPTIONAL) BOTTOM-OUTSIDE

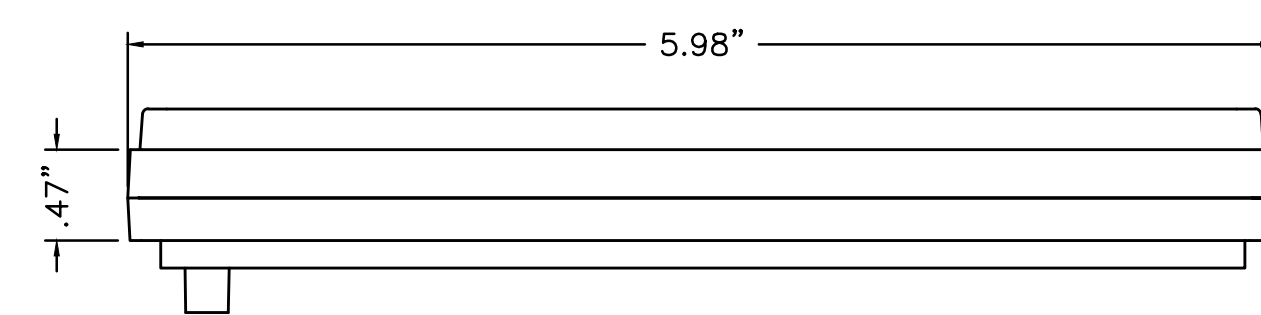
BATTERY DOOR



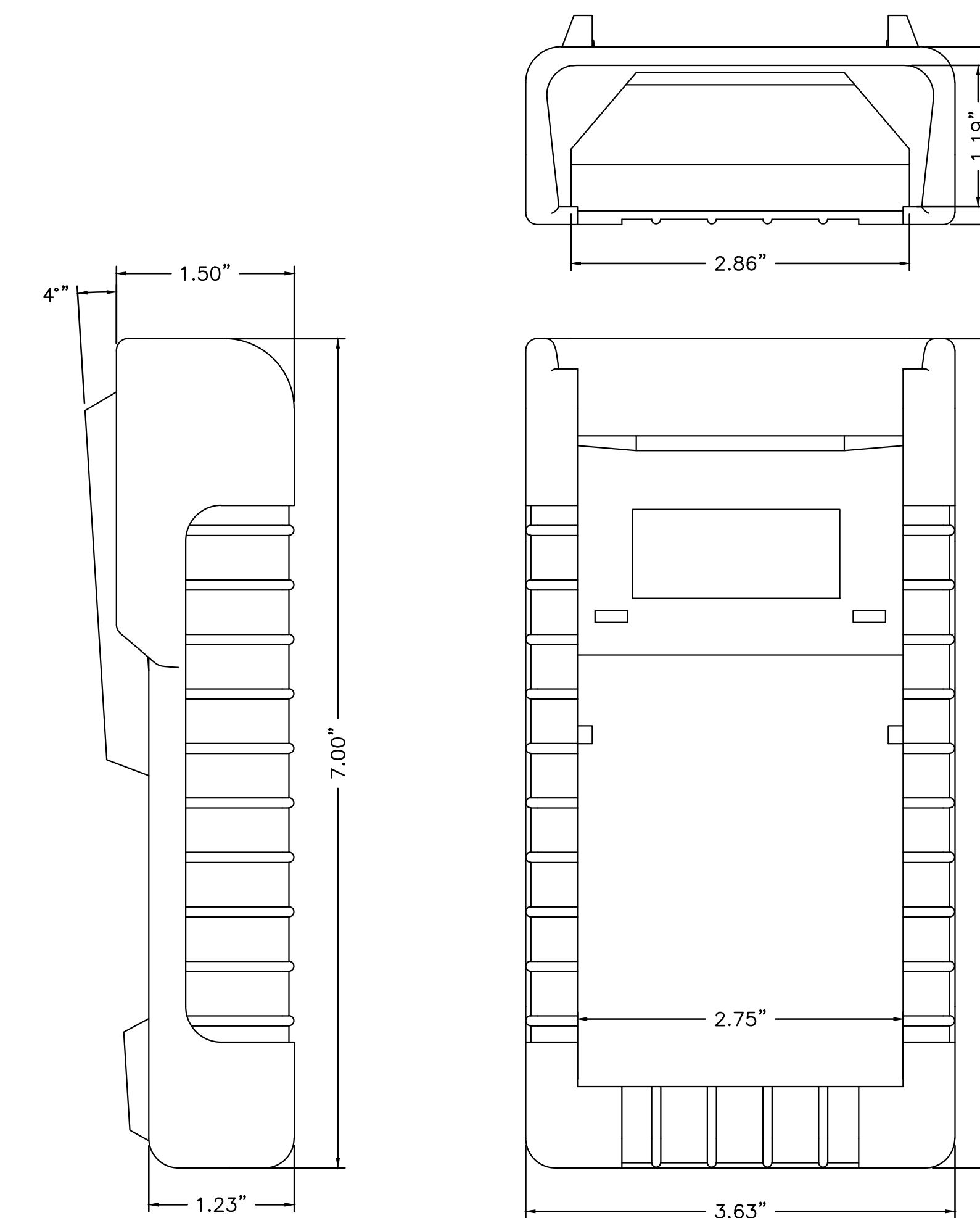
SECTION A-A



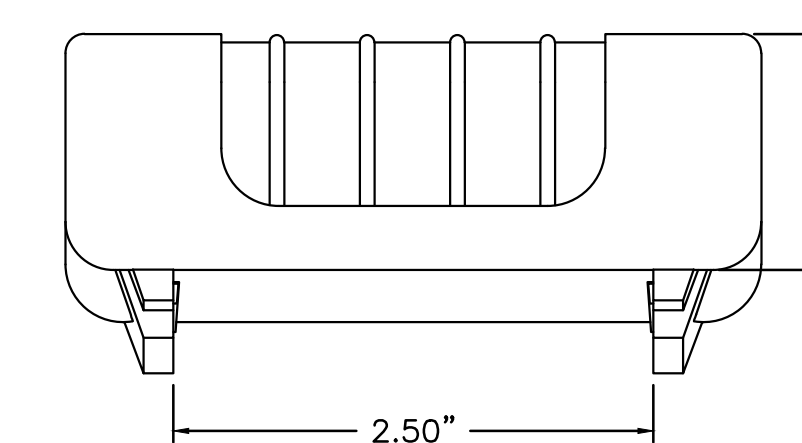
ASSEMBLY SIDE VIEW



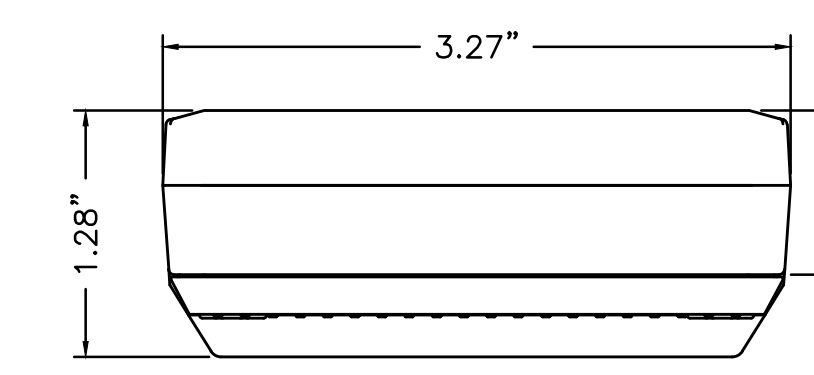
OPTIONAL EXPANDER
 INCREASES HEIGHT BY .47



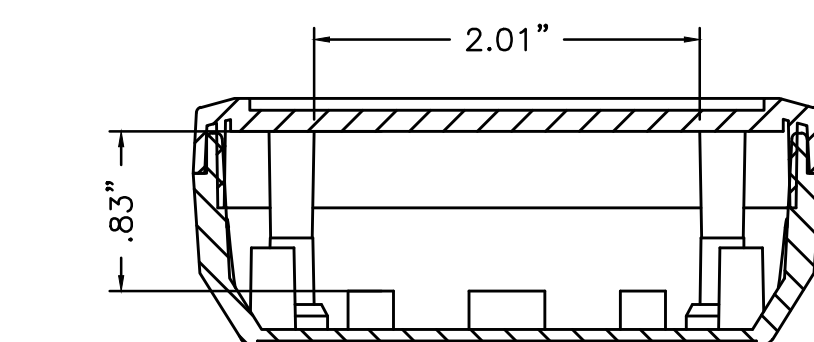
TOP



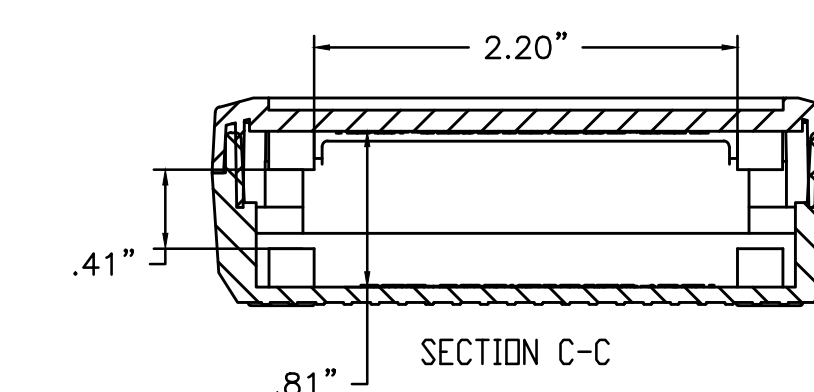
OPTIONAL RUBBER BOOT



END VIEW



SECTION B-B



SECTION C-C

Max. size of PCB: Top 2.83" x 5.55"
 Base without battery compartment 2.83" x 5.59"
 With battery compartment 2.83" x 4.09"
 (Cutout of pillars not taken into consideration)

LCD Window Openings
 Version I No Opening
 Version II 1.79" x .70"
 Version III 1.76" x .36"
 Version IV 1.76" x .69"

THIS DRAWING IS THE PROPERTY OF AND MAY EMBODY PROPRIETARY INFORMATION OWNED BY Box Enclosures®. IT IS PROVIDED UNDER A CONFIDENTIAL RELATIONSHIP FOR A SPECIFIC PURPOSE. THE RECIPIENT AGREES TO USE IT ONLY FOR SUCH PURPOSE AND RETURN IT TO Box Enclosures® UPON REQUEST.

BOX ENCLOSING ELECTRONICS ONE BOX AT A TIME			
ENCLOSURES & ASSEMBLY SERVICES			
Title	MBS-Master		
DATE	BOX Part #	MBS	Drn. by
1/14/25			R.F.K.
SCALE	SHEET	SHEET SIZE	REV
1:1	N.T.S.	30"x42"	19,A