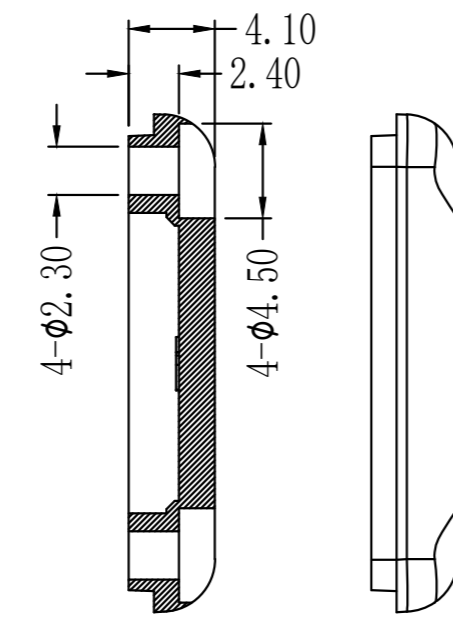
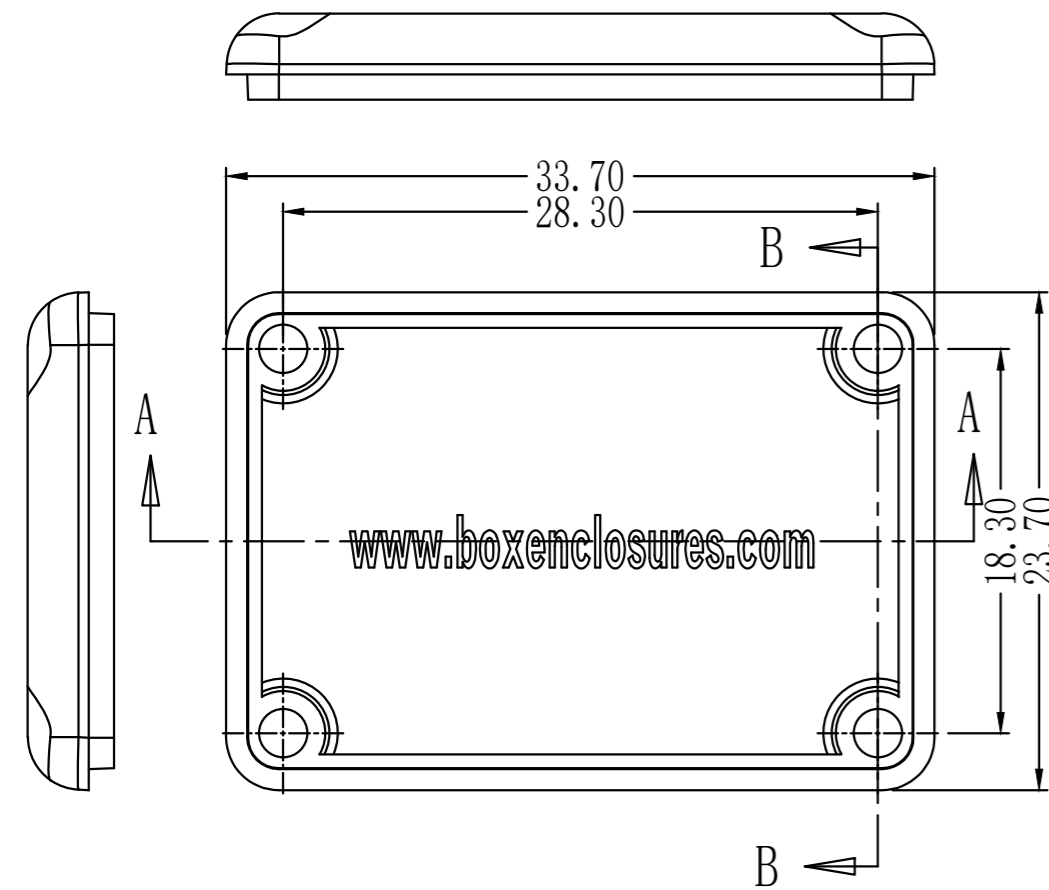
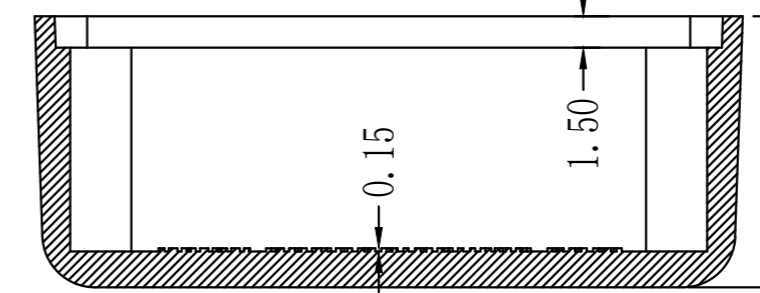


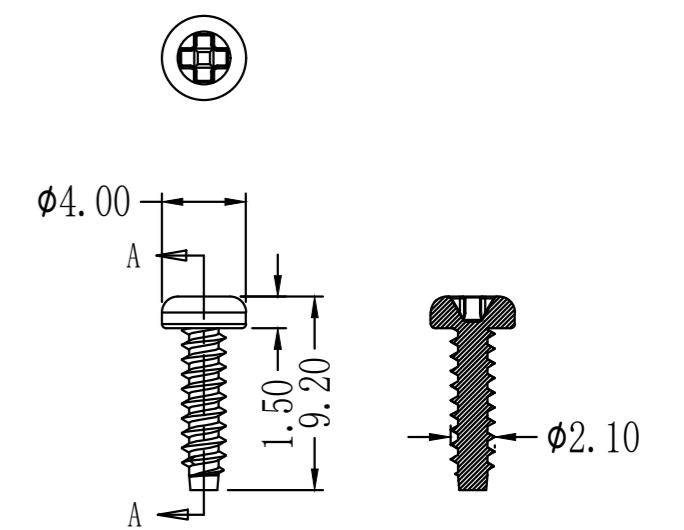
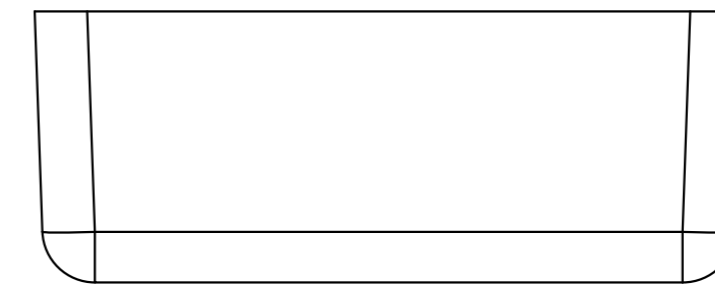
SECTION B-B



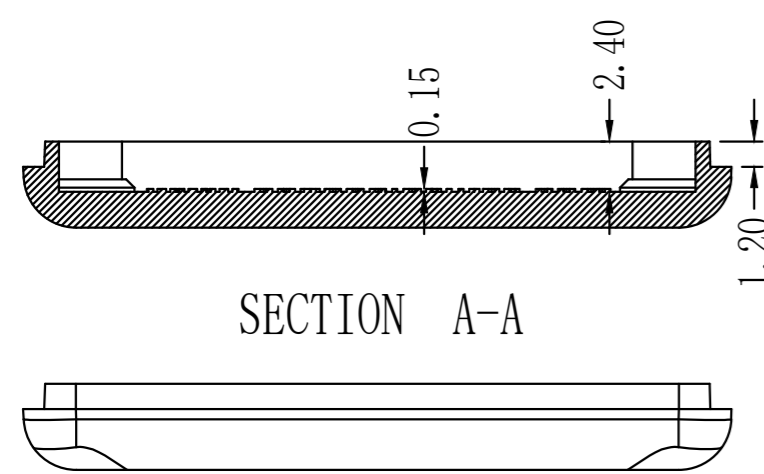
SECTION B-B



SECTION A-A



SECTION A-A



SECTION A-A

<p>ENCLOSURES &amp; ASSEMBLY SERVICES</p>		Revision:	
		Model:	
Title BMC-205 Master Drawing		Dwg. No.:	Part No.:
Material: ABS	<p>TOLERANCE all dimension in mm unless otherwise specified.</p> <p>x <math>\pm</math>0.20 .x <math>\pm</math>0.10 .xx <math>\pm</math>0.05 ANGLE <math>\pm</math>0.5°</p>	Color:	Drn. Date 18/1/2010 HUA
Finish:		Qty:	Chk. Date
Proj.		Sheet of	App. Date