



ENCLOSING ELECTRONICS ONE BOX AT A TIME

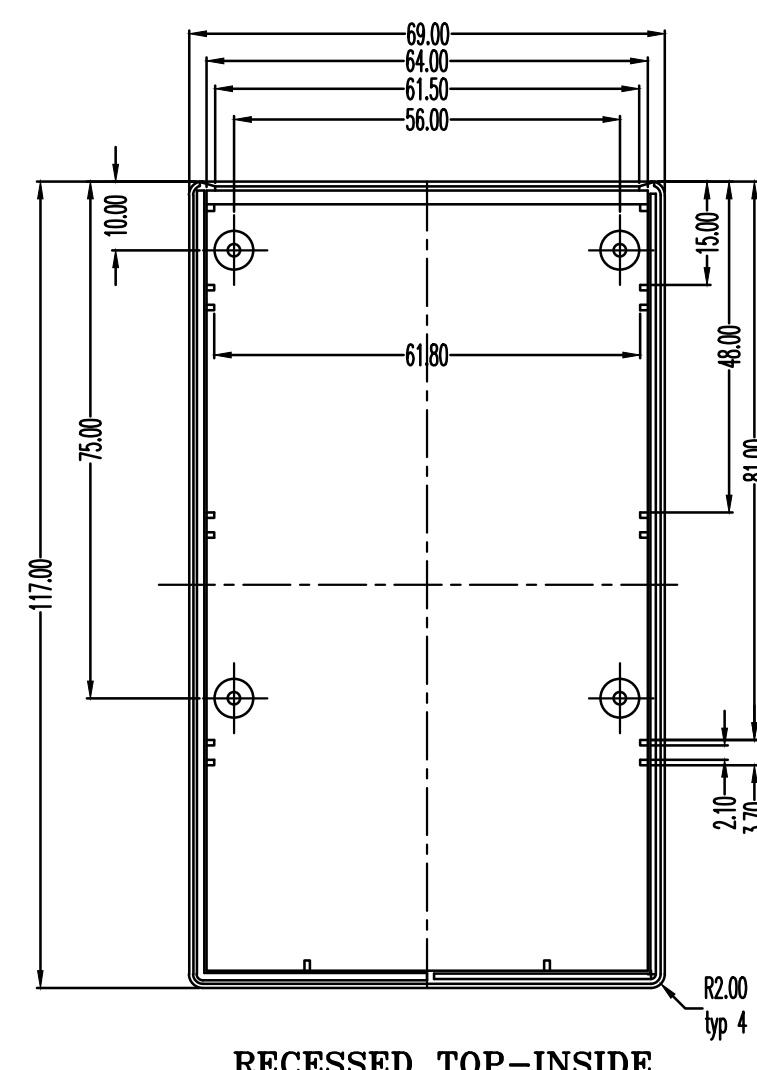
**ENCLOSURES & ASSEMBLY SERVICES**

BOX ENCLOSURES, INC  
14092 W. Lambs Lane  
Libertyville, IL 60048

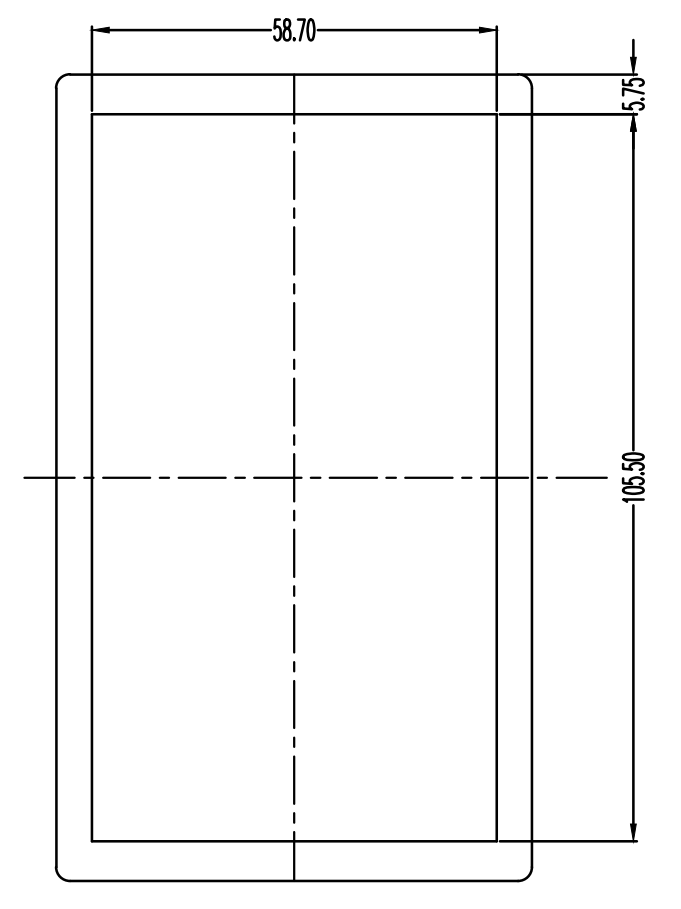
TEL: 847-932-4700

www.boxenclosures.com

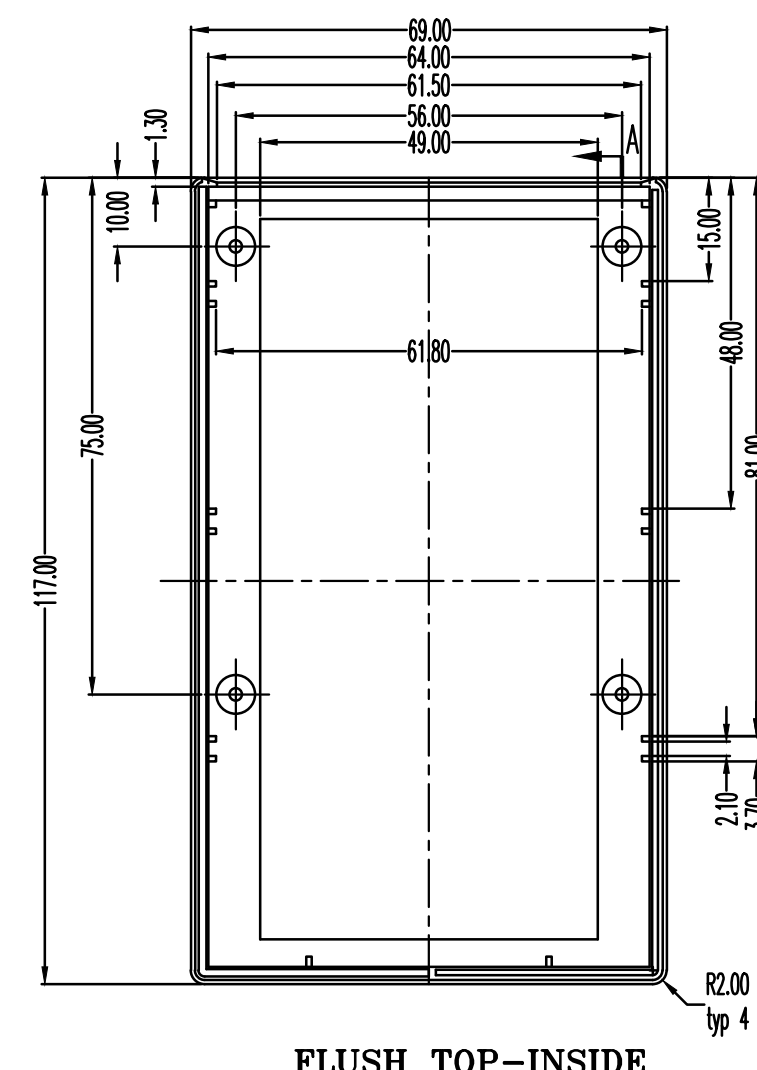
FAX: 847-932-4701



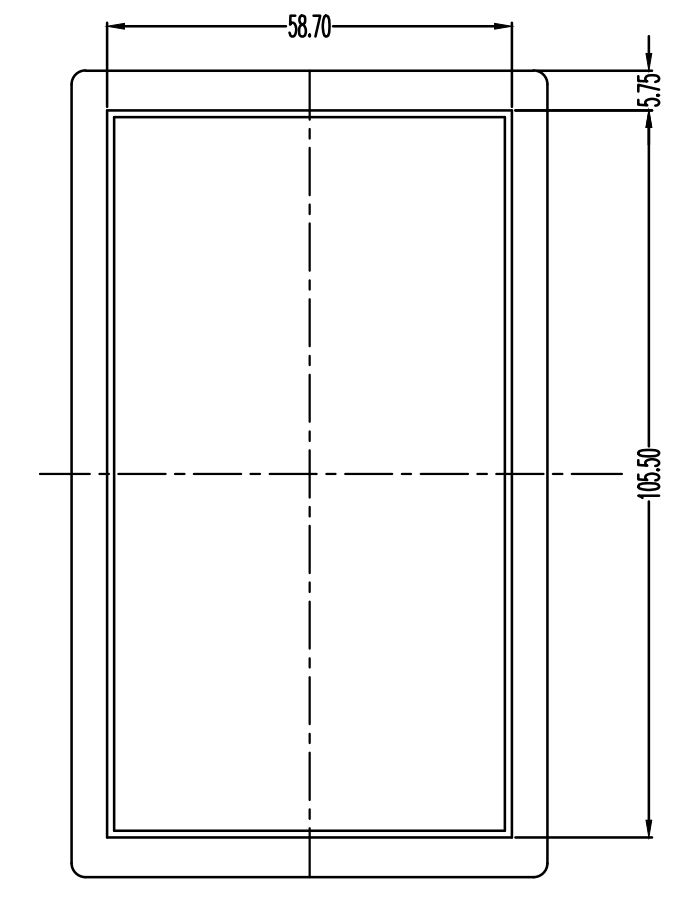
RECESSED TOP-INSIDE



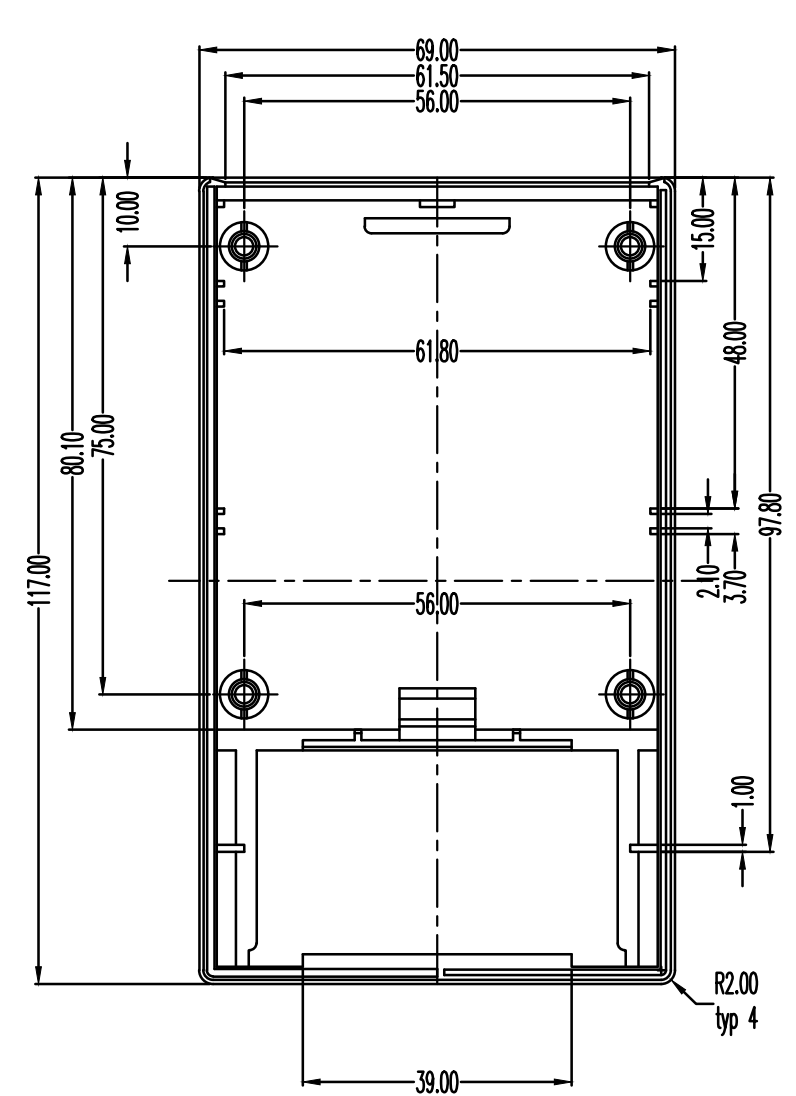
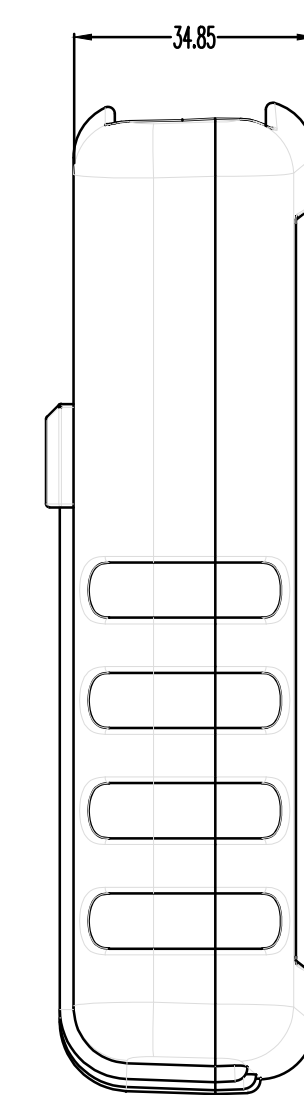
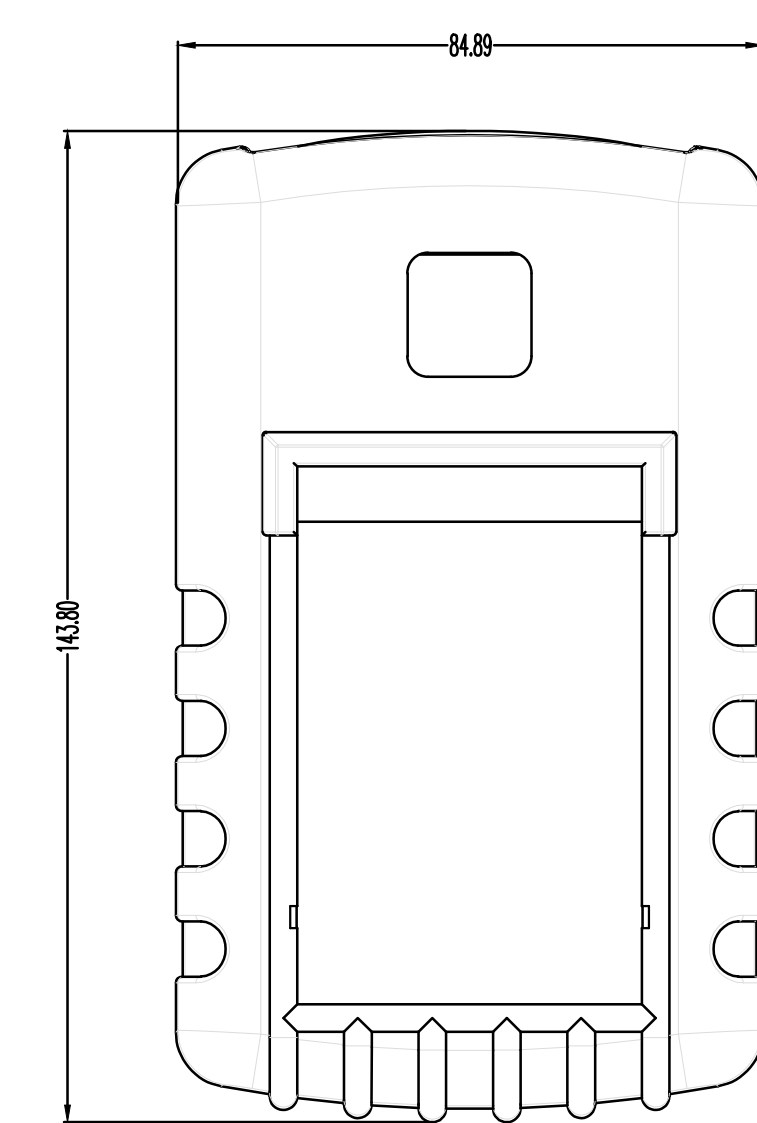
RECESSED TOP-OUTSIDE



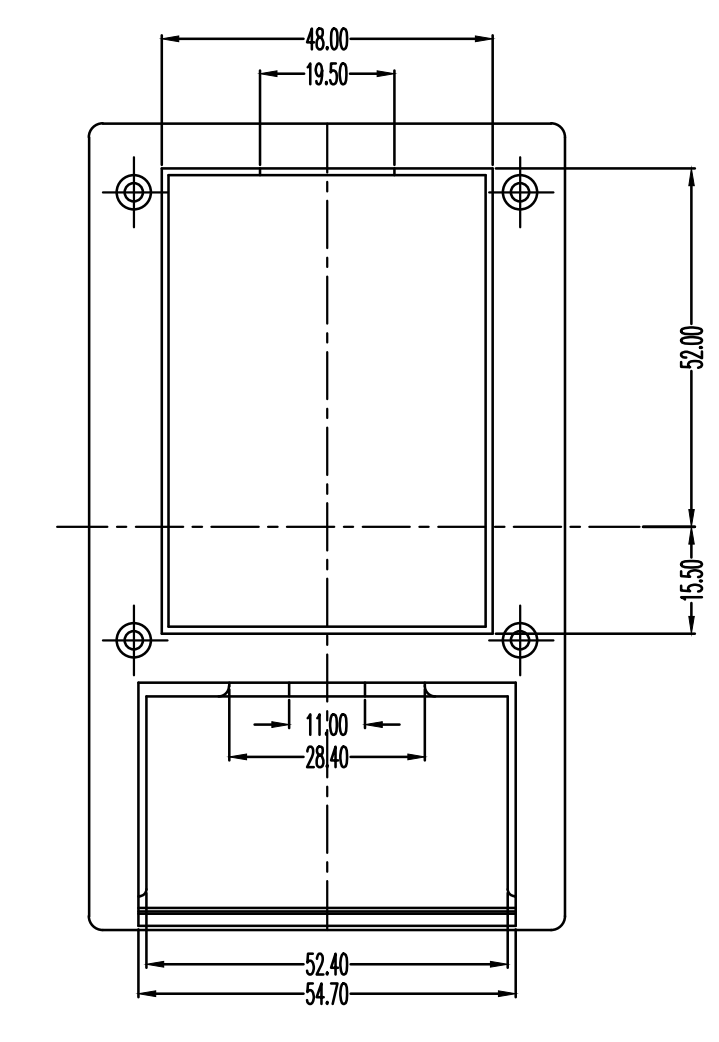
FLUSH TOP-INSIDE



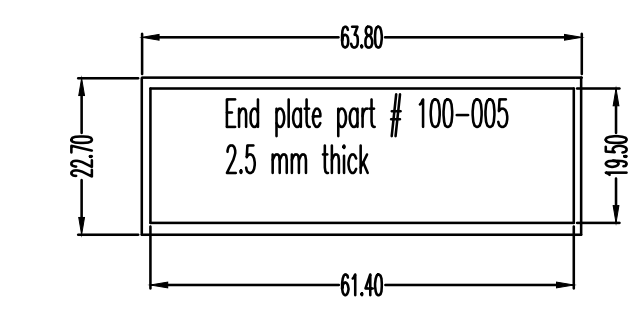
FLUSH TOP-OUTSIDE



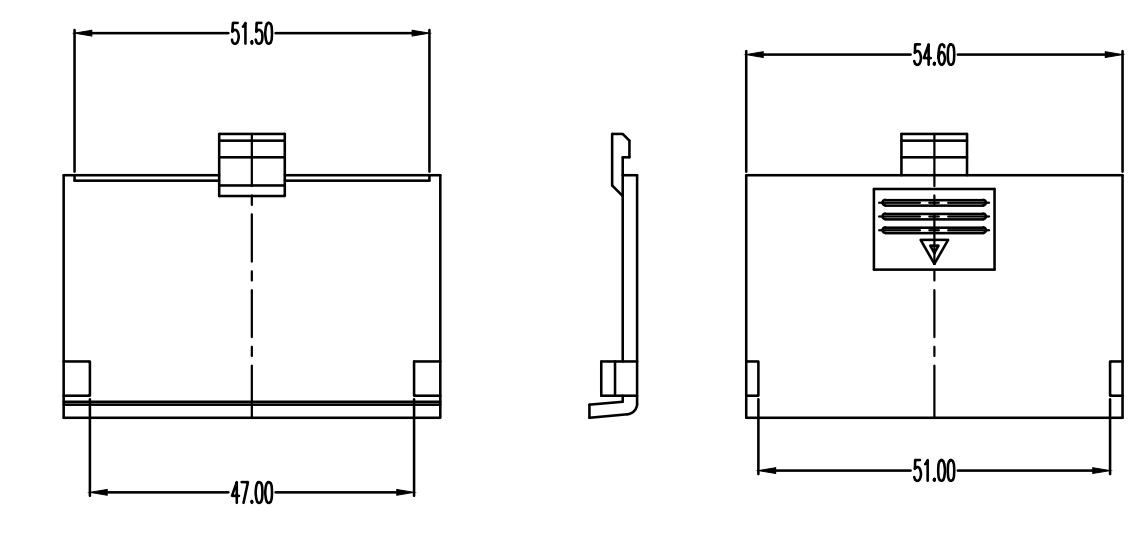
BOTTOM-INSIDE



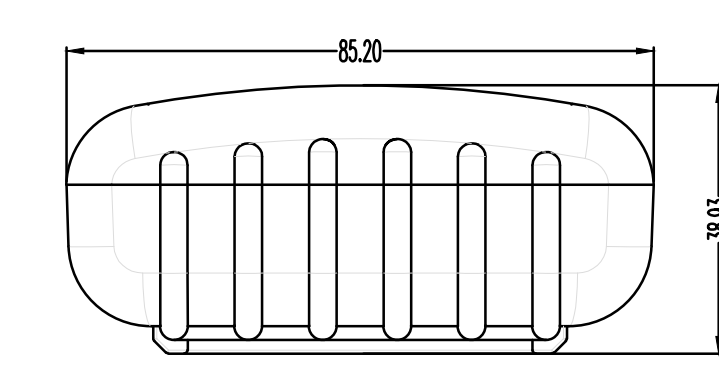
BOTTOM-OUTSIDE



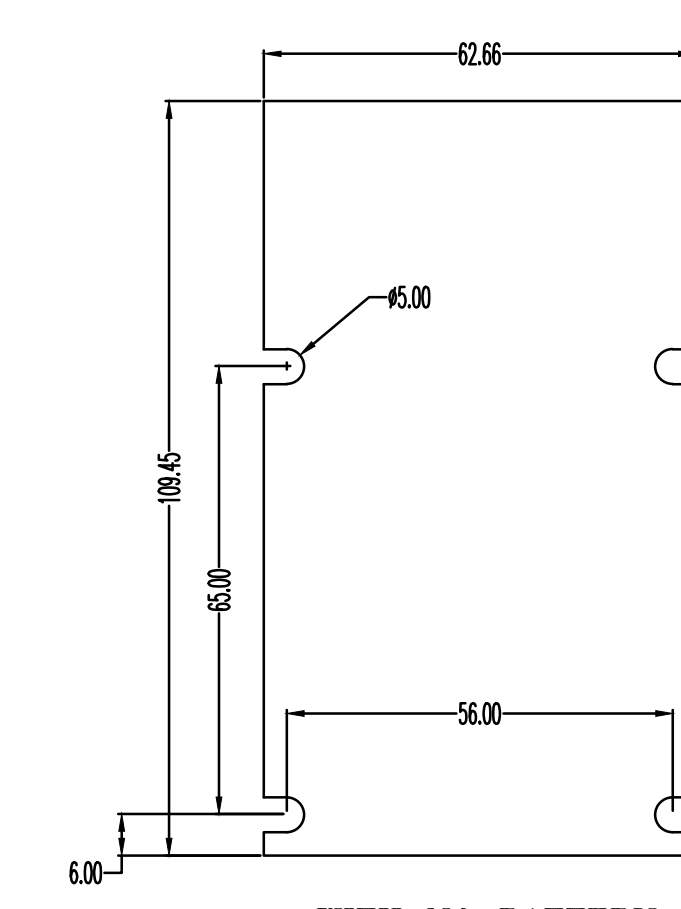
END PLATE



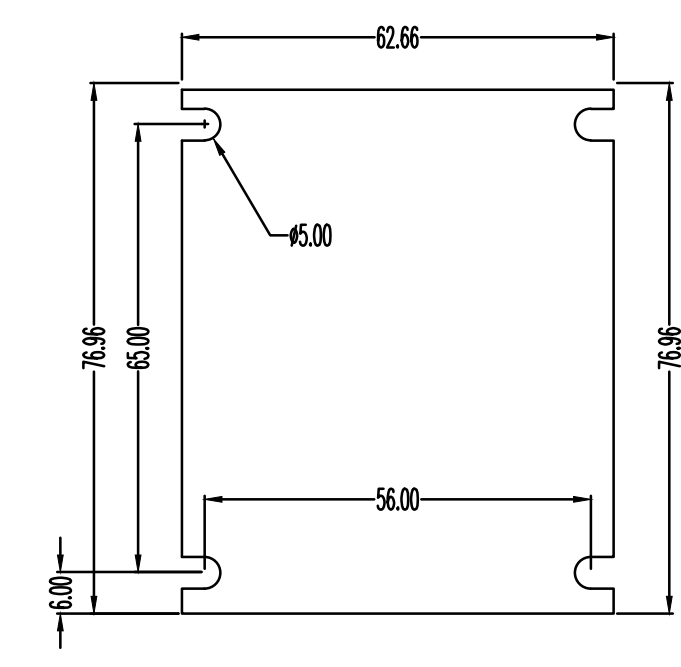
BATTERY DOOR



OPTIONAL RUBBER BOOT

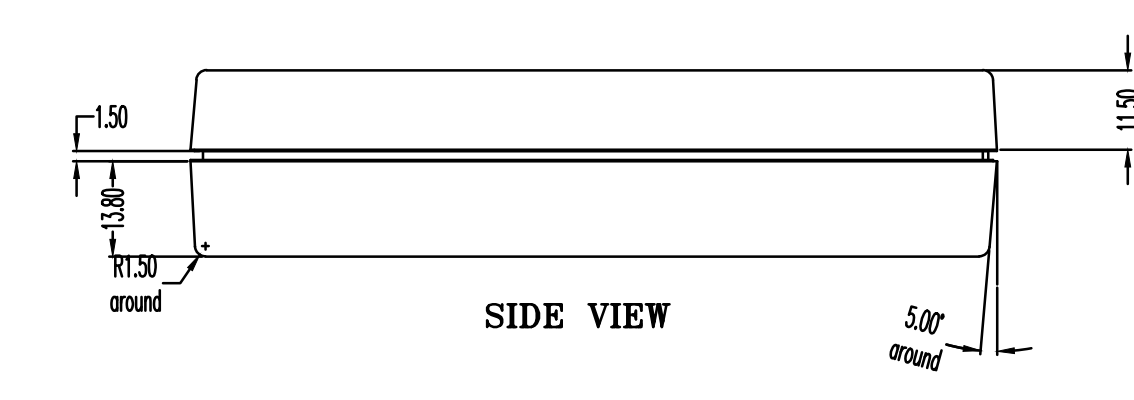


WITH NO BATTERY

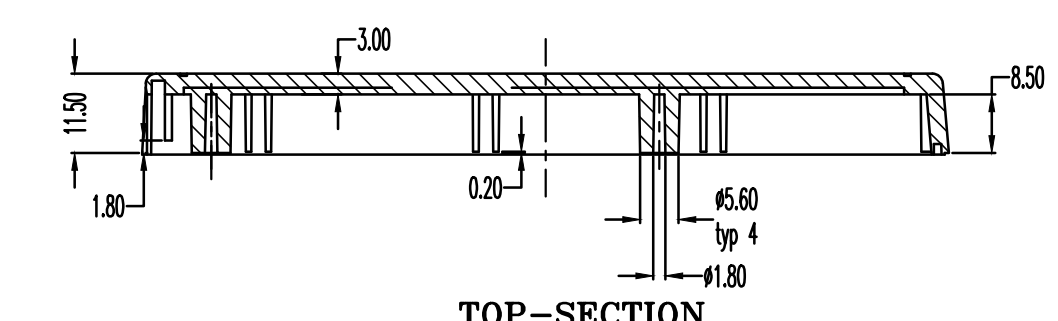


WITH BATTERY

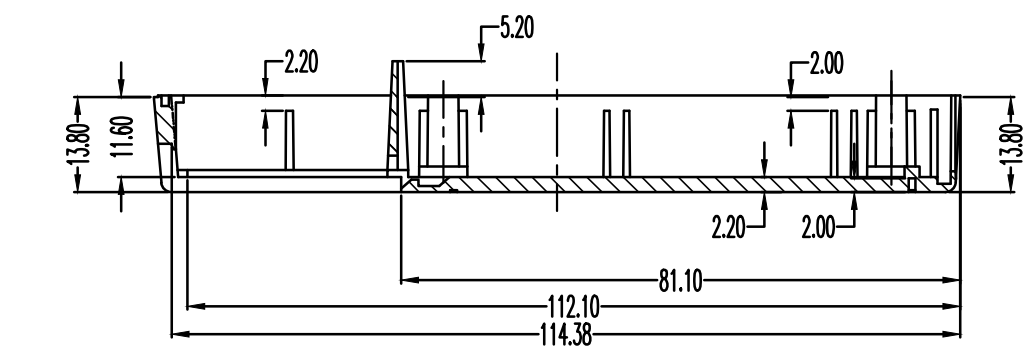
RECOMMENDED PCB SIZE



SIDE VIEW



TOP-SECTION



BOTTOM-SECTION

ENCLOSURES & ASSEMBLY SERVICES		Revision:	
		Model: 50 SERIES	
Title: MASTER-DRAWING		Dwg. No.:	Part No.:
Material:	TOLERANCE all dimension in mm unless otherwise specified. x ±0.20 .x ±0.10 .xx ±0.05 ANGLE ±0.5°	Color:	Drn. Date RFK 9/20/2020
Finish:		Qty:	Chk. Date
Proj.		Sheet A4 1 of 1	App. Date

THIS DRAWING IS THE PROPERTY OF AND MAY EMBODY PROPRIETARY INFORMATION OWNED BY Box Enclosures. IT IS PROVIDED UNDER A CONFIDENTIAL RELATIONSHIP FOR A SPECIFIC PURPOSE. THE RECIPIENT AGREES TO USE IT ONLY FOR SUCH PURPOSE AND RETURN IT TO Box Enclosures UPON REQUEST.