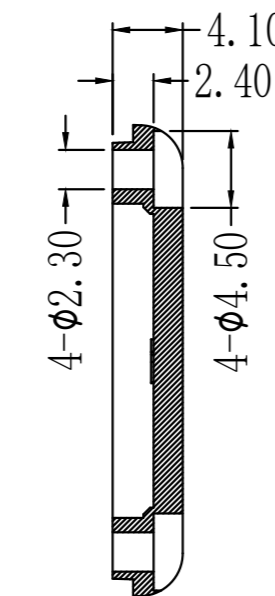
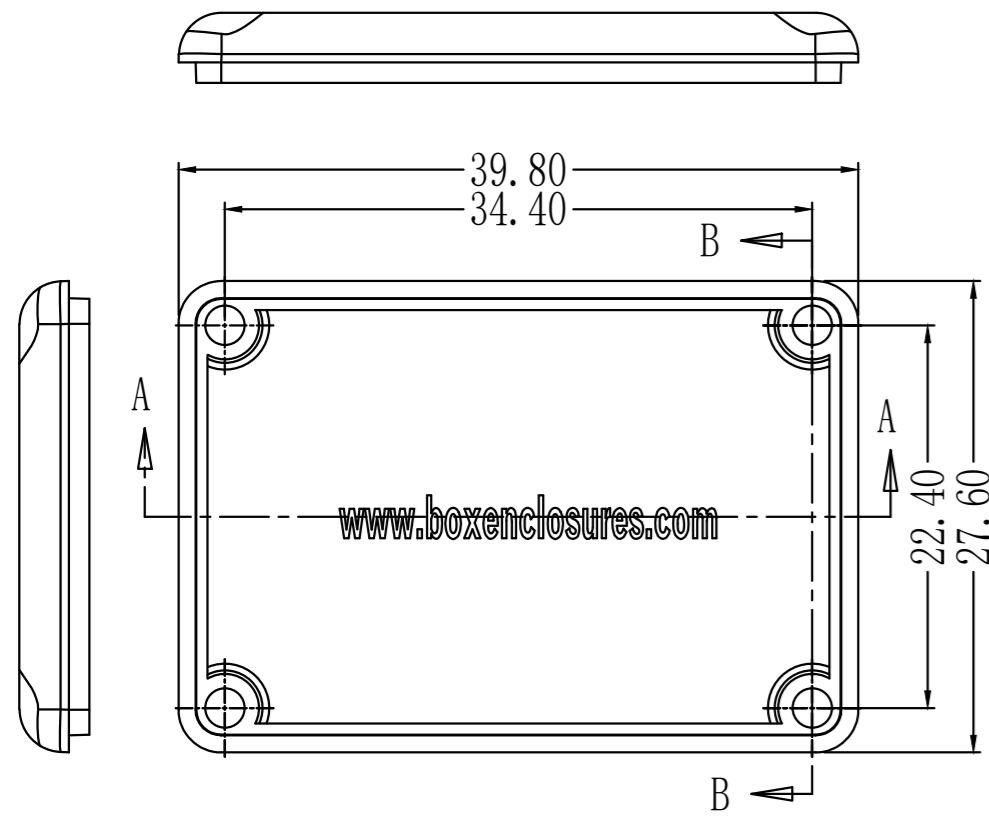
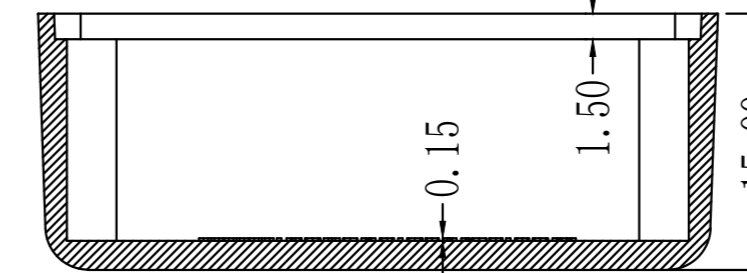
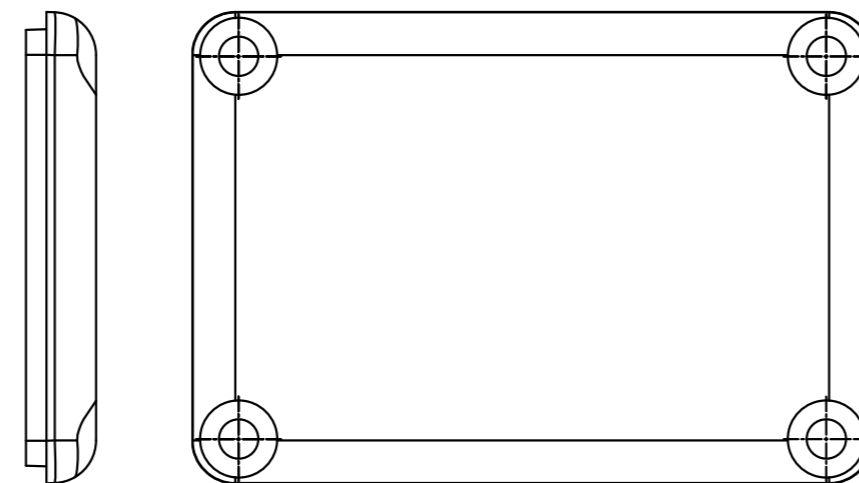


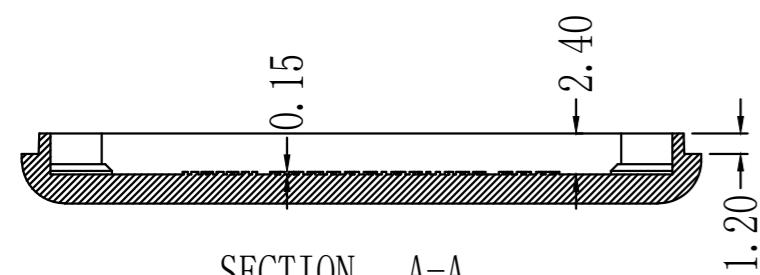
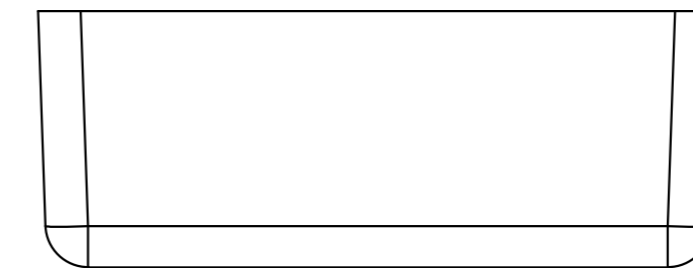
SECTION B-B



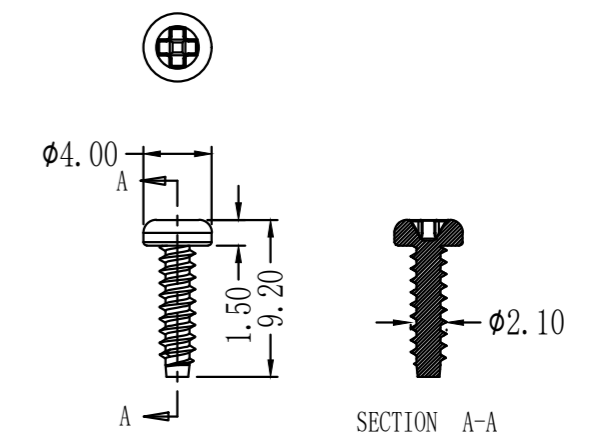
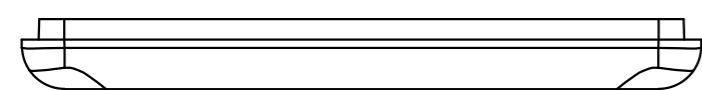
SECTION B-B



SECTION A-A



SECTION A-A



Title		Revision:	
BMC-206 Master Drawing		Model:	
Material:	TOLERANCE all dimension in mm unless otherwise specified.	Color:	Drn. Date
Finish:		Qty:	Chk. Date
Proj:	$\times \pm 0.20$ $.x \pm 0.10$ $.xx \pm 0.05$ ANGLE $\pm 0.5^\circ$	Sheet of	App. Date